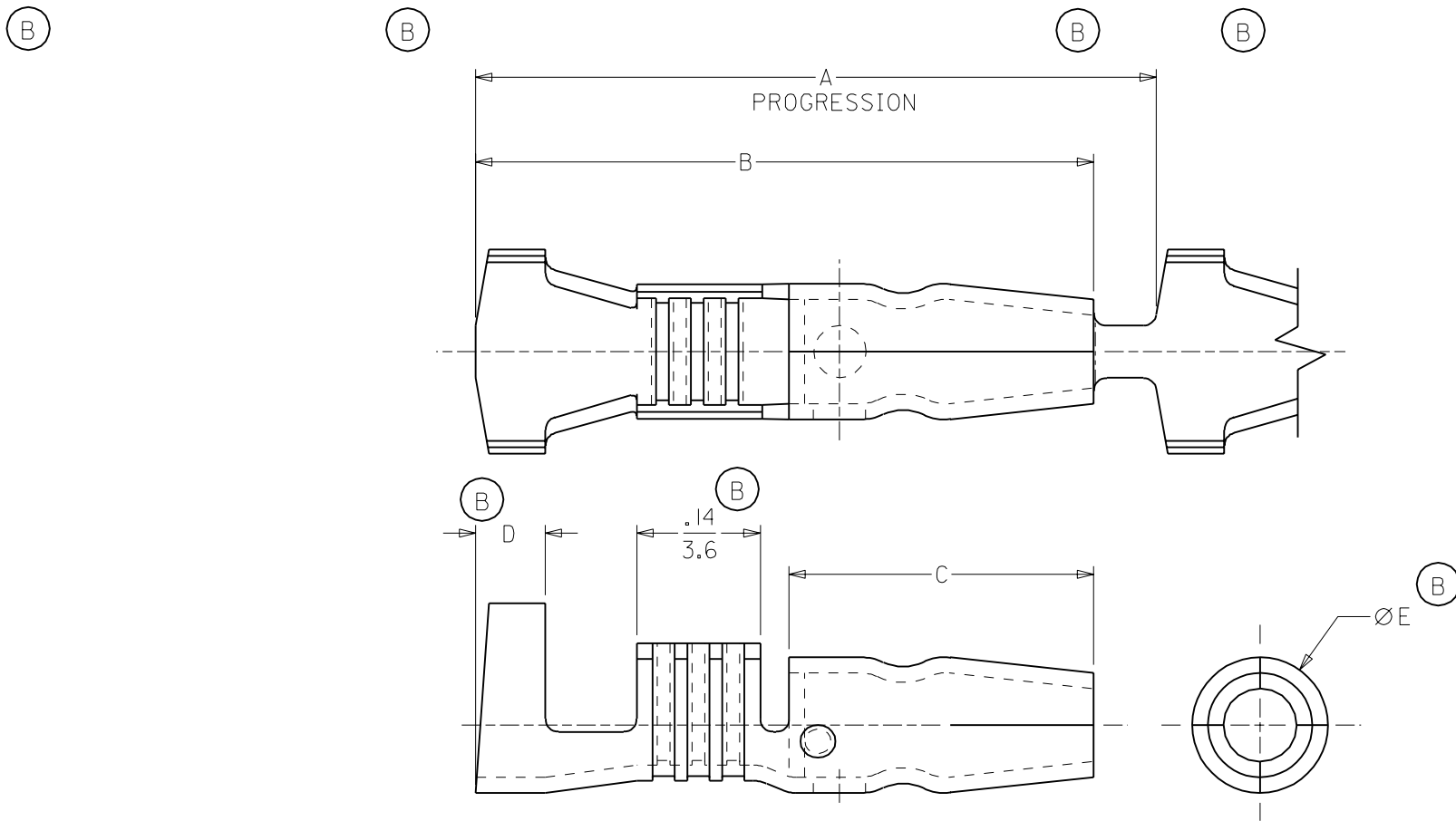


MATERIAL NUMBER	ENG. NUMBER	DESCRIPTION	FITS RECEPT. DIAMETER.	A	B	C	D	E
197244102	19724-4102	PLATED	.156/(3.96)	.76/(19.3)	.71/(18.0)	.35/(8.9)	.08/(2.0)	.156/(3.96)
197244402	19724-4402	PLATED	.180/(4.57)	.83/(21.2)	.74/(18.8)	.44/(11.2)	.06/(1.5)	.180/(4.57)
197244100	19724-4100	UNPLATED	.156/(3.96)	.76/(19.3)	.71/(18.0)	.35/(8.9)	.08/(2.0)	.156/(3.96)
197244400	19724-4400	UNPLATED	.180/(4.57)	.83/(21.2)	.74/(18.8)	.44/(11.2)	.06/(1.5)	.180/(4.57)



SALES DRAWING

NOTE(S):
 1. MATERIAL: BRASS
 2. MATERIAL THICKNESS: .016/(0.41)
 3. PLATING: ELECTRO-TIN

ADDED UNPLT NO'S EC NO. ETC2003-0162 DRWN: DLM 02/12/20 CHK: SB 02/12/20 APPR: RWD 02/12/20	QUALITY SYMBOLS MAJOR $\blacktriangledown = \emptyset$ CRITICAL $\nabla = \emptyset$	GENERAL TOLERANCES: (UNLESS SPECIFIED)		SCALE 5:1	DESIGN UNITS <input type="checkbox"/> mm <input checked="" type="checkbox"/> INCH	DIMENSIONS: <input type="checkbox"/> mm <input checked="" type="checkbox"/> INCH <input type="checkbox"/> mm ONLY	SHT REV
		4 PLACES $\pm 0.----$ $\pm .----$ 3 PLACES $\pm 0.---$ $\pm .005$ 2 PLACES ± 0.13 $\pm .010$ 1 PLACE ± 0.25 $\pm .---$	DRAWN BY & DATE DLM 02/12/20	TITLE: VIBRAKRIMP SNAP PLUG 18-14 AWG, OPEN BARREL CHAIN STAMPED		CHECKED BY & DATE SB 02/12/20	APPROVED BY & DATE RWD 02/12/20
REV	DESCRIPTION	ANGULAR: $\pm 1/2^\circ$		CAD FILENAME SD19724002.DGN	MATERIAL NO. (SEE CHART)	DRAWING NO. SD-19724-002	SIZE A