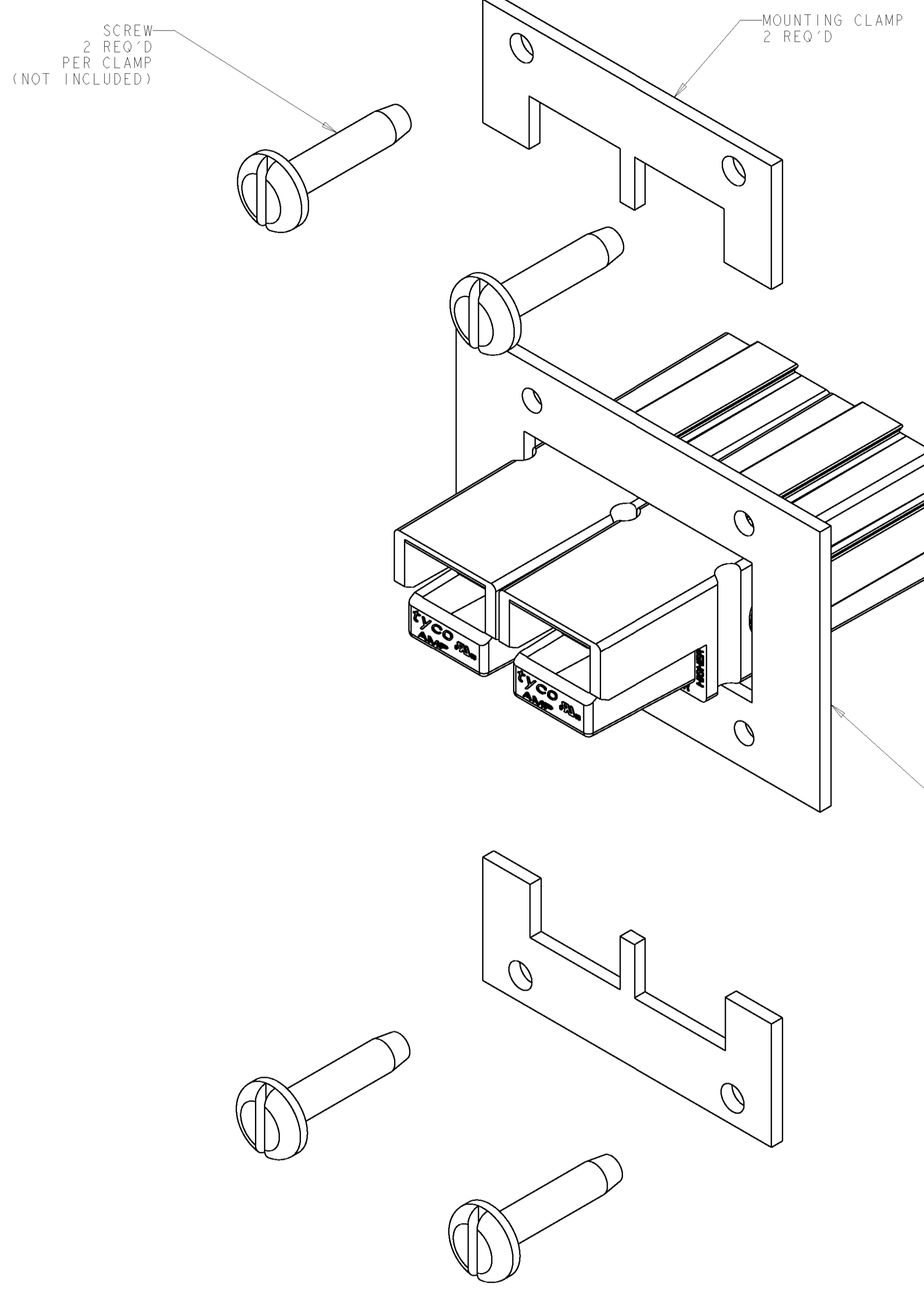
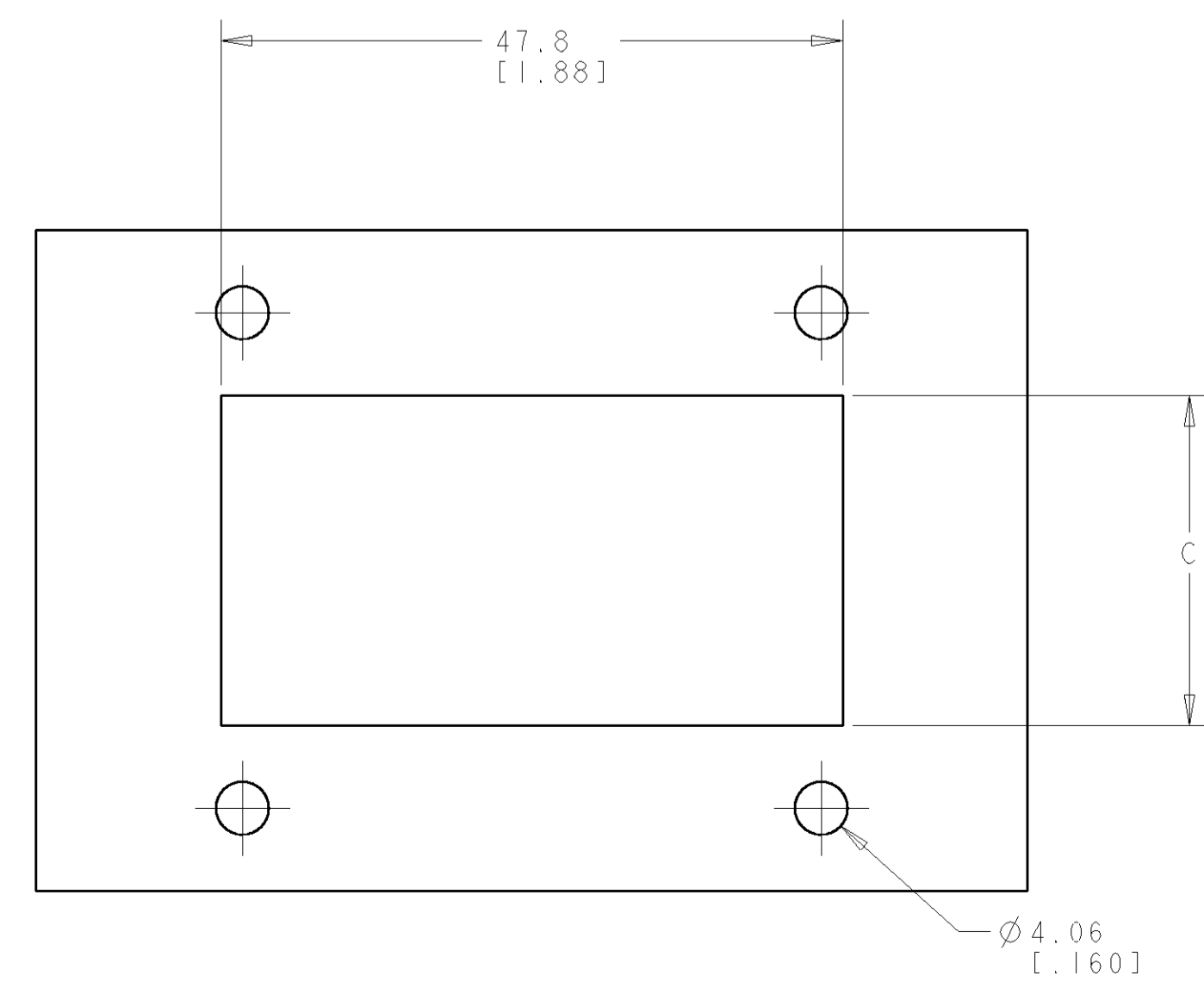
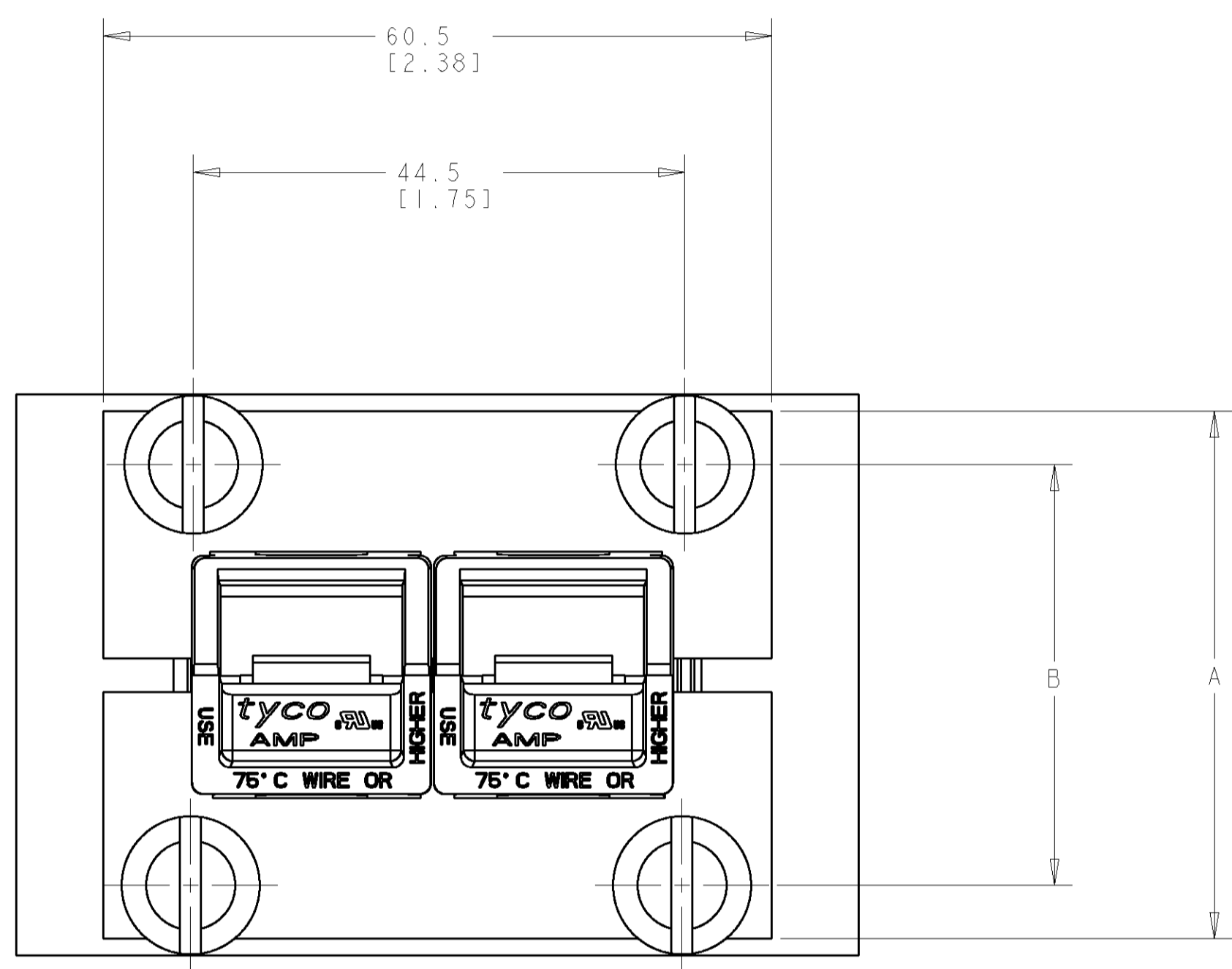


LOC	DIST	REVISIONS					
		P	LTR	DESCRIPTION	DATE	DWN	APVD
CM	00	1		PRE-RELEASED	15JAN2003	KW	JE
		0		REVISED PER 0638-0595-03	16JAN06	KW	JE



1. MOUNTING CLAMPS SOLD IN PAIRS, SCREWS NOT INCLUDED.

47.8 [1.88]	38.1 [1.50]	70.1 [2.76]	4
25.4 [1.00]	60.5 [2.38]	47.8 [1.88]	2
C	B	A	NO OF POLES

1 BOX	647721-2
1 PAIR	647721-1
QTY / UNIT OF MEASUREMENT	PART NUMBER

<small>THE DIMENSIONS TO WHICH THIS DRAWING IS SUBJECT TO THE REQUIREMENTS OF THE ORGANIZATION WHICH IS THE USER OF THIS DRAWING AND THE ORGANIZATION WHICH IS THE CONTRACTOR FOR THE USER'S DESIGN.</small>		DWN B. WHITAKER 15JAN2003	Tyco Electronics Harrisburg, PA 17105-3608
DIMENSIONS: mm [INCHES]		CHK J. ELLIS 15JAN2003	
TOLERANCES UNLESS OTHERWISE SPECIFIED: 0 PLC ± 1 PLC ±0.5 [.02] 2 PLC ± 3 PLC ± 4 PLC ± ANGLES ±		APVD J. ELLIS 15JAN2003	NAME AMP POWER SERIES 120, MOUNTING CLAMP, 2 AND 4 POLE
MATERIAL AL 2.3 [.09] THK		FINISH -	SIZE A   00779 C=647721
CUSTOMER DRAWING		WEIGHT -	RESTRICTED TO -
SCALE 2:1		SHEET 1 OF 1	REV 0

