

THIS DRAWING IS UNPUBLISHED.

RELEASED FOR PUBLICATION

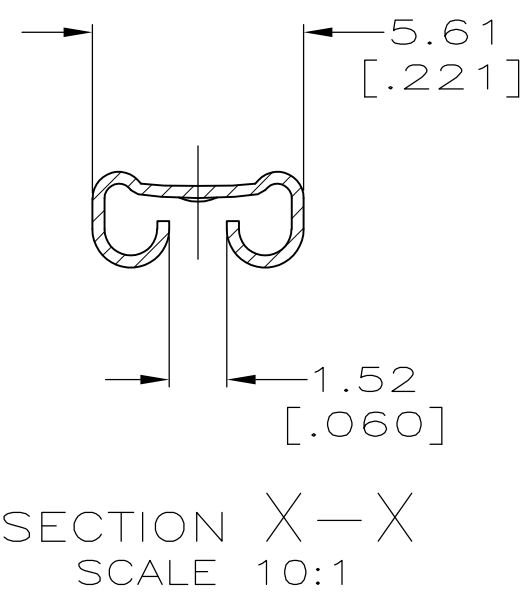
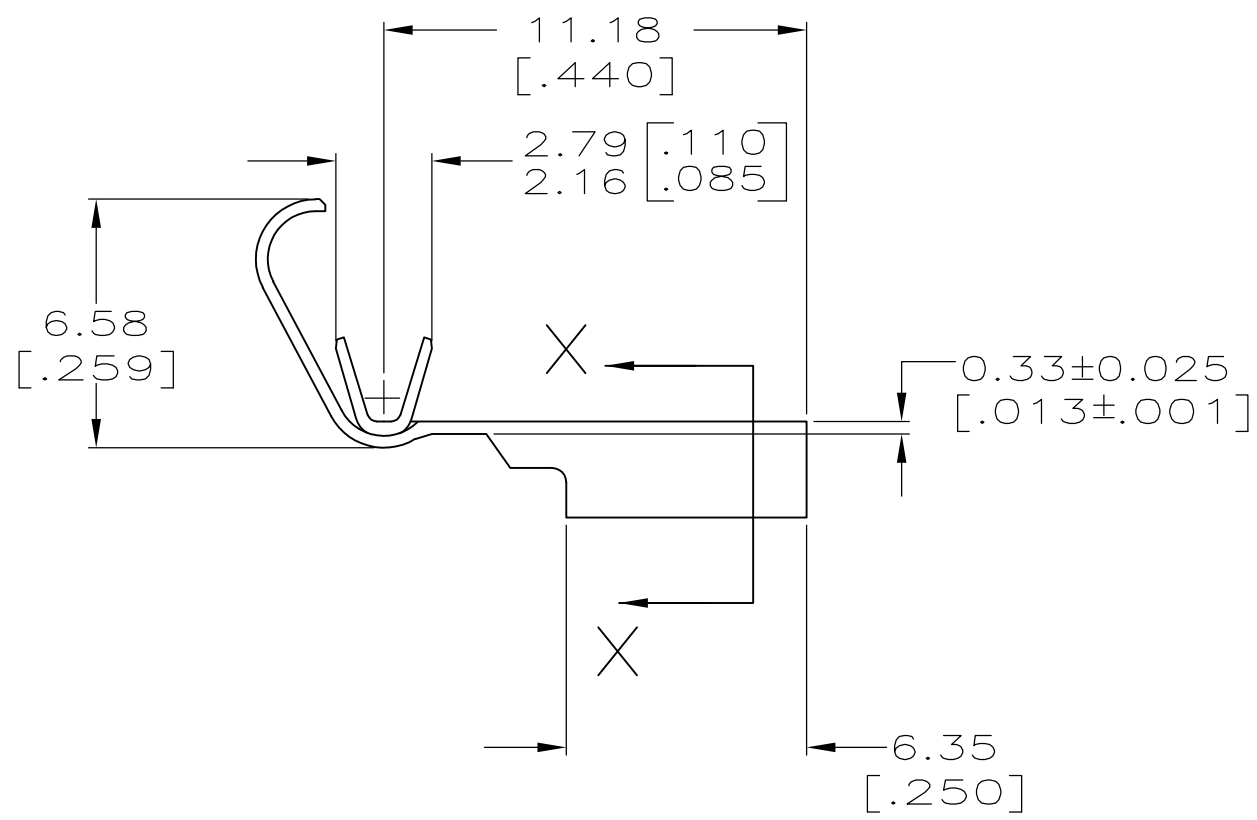
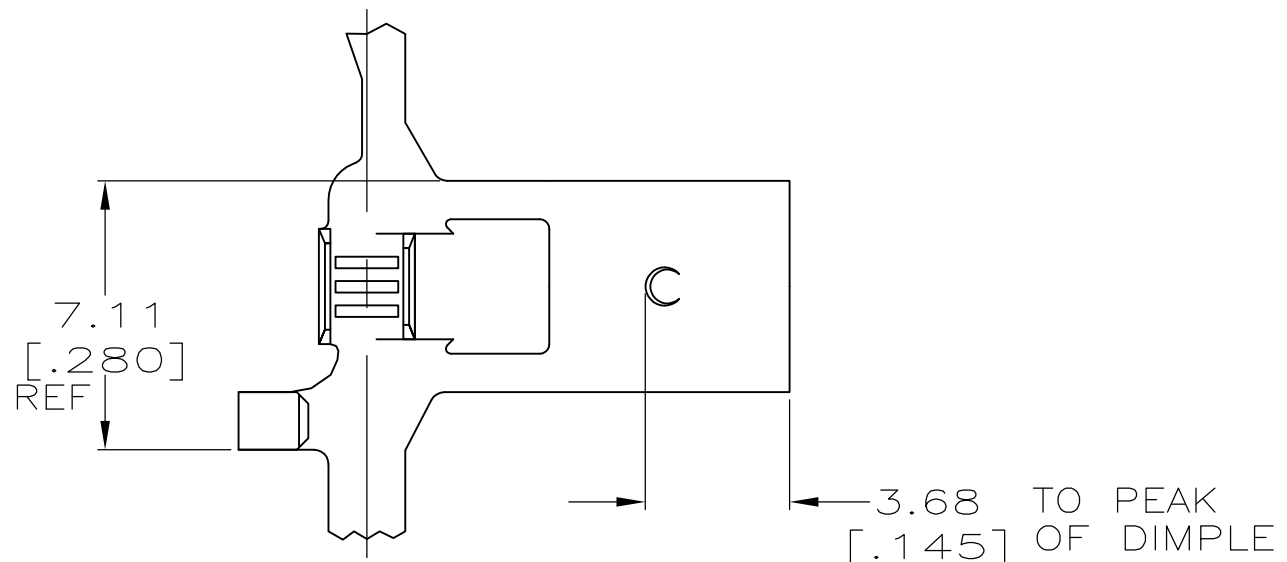
© COPYRIGHT - By -

ALL RIGHTS RESERVED.

LOC AF DIST 50

REVISIONS

P	LTR	DESCRIPTION	DATE	DWN	APVD
	J	REVISED PER ECR-12-013518	23NOV2012	KH	PD



- 1 CONTINUOUS STRIP ON REELS.
- 2 ACCEPTS WIRE SIZE [#22-#18] AWG
- 3 INSULATION RANGE TO BE 1.52-2.79 [.060-.110] DIA.
- 4 MATING TAB THK TO BE 0.813±0.025 [.032±.001].

OBSOLETE	-	63405-2
	PRE-TIN	63405-1
	FINISH	PART NO

THIS DRAWING IS A CONTROLLED DOCUMENT.		DWN JR RUTH 1/25/96	STE TE Connectivity											
DIMENSIONS: mm [INCHES]		CHK MS FEHER 1/25/96												
TOLERANCES UNLESS OTHERWISE SPECIFIED:		APVD J HUZVAR 1/25/96	RECEPTACLE, FASTON, FLAG, 4.75 [.187] SERIES											
<table border="0"> <tr><td>0 PLC</td><td>± -</td></tr> <tr><td>1 PLC</td><td>± -</td></tr> <tr><td>2 PLC</td><td>± 0.25 [.010]</td></tr> <tr><td>3 PLC</td><td>± -</td></tr> <tr><td>4 PLC</td><td>± -</td></tr> <tr><td>ANGLES</td><td>± -</td></tr> </table>		0 PLC				± -	1 PLC	± -	2 PLC	± 0.25 [.010]	3 PLC	± -	4 PLC	± -
0 PLC	± -													
1 PLC	± -													
2 PLC	± 0.25 [.010]													
3 PLC	± -													
4 PLC	± -													
ANGLES	± -													
MATERIAL BRASS	FINISH SEE TABLE	APPLICATION SPEC -	SIZE A3	CAGE CODE 00779	DRAWING NO C-63405	RESTRICTED TO -								
CUSTOMER DRAWING			SCALE 5:1	SHEET 1 OF 1	REV J									