

# VALVE-REGULATED LEAD ACID BATTERIES: INDIVIDUAL DATA SHEET

## LC-R0612P



### Specifications

<b>Nominal Voltage</b>		6V
<b>Rated Capacity (20 hour rate)</b>		12.0Ah
<b>Dimensions</b>	<b>Length</b>	5.945 inches (151.0 mm)
	<b>Width</b>	1.969 inches (50.0 mm)
	<b>Height</b>	3.702 inches (94.0 mm)
	<b>Total Height*</b>	3.937 inches (100.0 mm)
<b>Approx. mass</b>		4.30 lbs. (1.95 kg)
<b>Standard Terminals and Resin</b>	UL94HB Faston 187	LC-R0612P
	UL94HB Faston 250	LC-R0612P1

\* The total height with #250 terminal is 101.5mm.

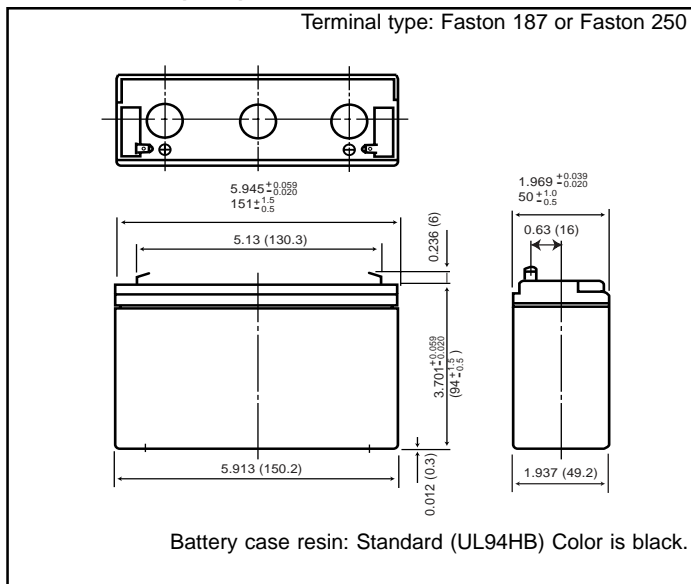
### Characteristics

Capacity (note) 77°F (25°C)	20 hour rate (360mA)	12Ah	
	10 hour rate (680mA)	11.3Ah	
	5 hour rate (1260mA)	10.4Ah	
	1 hour rate (4900mA)	8.1Ah	
	1.5 hour rate discharge Cut-off voltage 5.25 V	5.8A	
Internal Resistance	Fully charged battery 77°F (25°C)	Approx. 15mΩ	
Temperature dependency of capacity (20 hour rate)	104°F (40°C)	102%	
	77°F (25°C)	100%	
	32°F (0°C)	85%	
	5°F (-15°C)	65%	
Self discharge 77°F (25°C)	Residual capacity after standing 3 months	91%	
	Residual capacity after standing 6 months	82%	
	Residual capacity after standing 12 months	64%	
Charge Method (Constant Voltage)	Cycle use (Repeating use)	Initial current	4.8 A or smaller
		Control voltage	7.25V to 7.45V (per 6V cell 25°C)
	Trickle use	Initial current	1.8 A or smaller
		Control voltage	6.8V to 6.9V (per 6V cell 25°C)

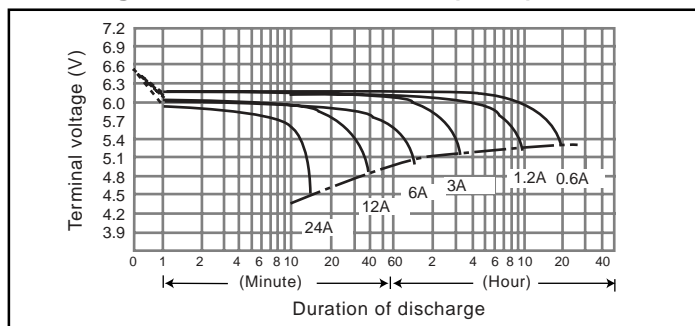
(Note) The above characteristics data are average values obtained within three charge/discharge. Cycles not the minimum values.

For main and standby power supplies.  
Expected trickle life: 3-5 years at 25°C, Approx. 5 years at 20°C.

### Dimensions (mm)



### Discharge characteristics 77°F (25°C) (Note)



### Duration of discharge vs. Discharge current (Note)

