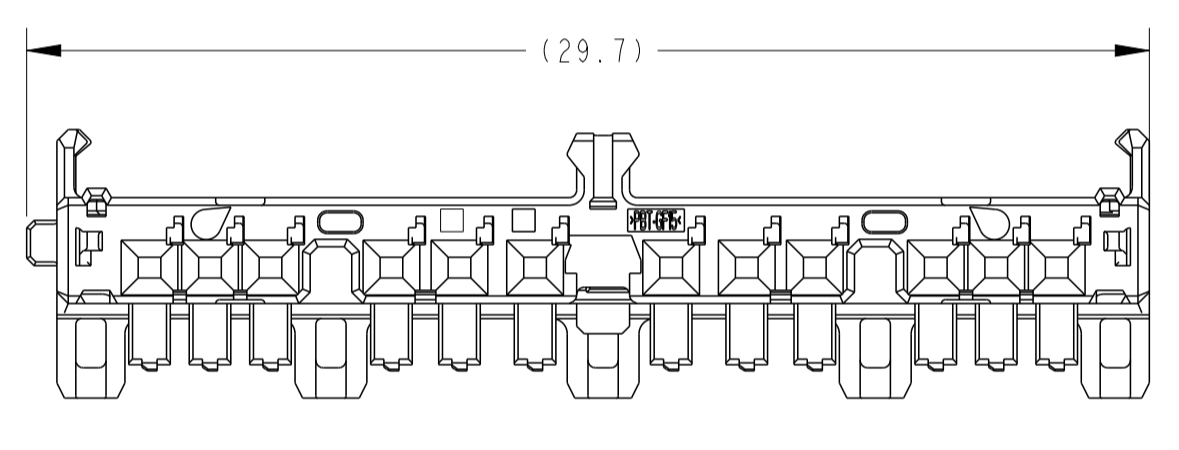
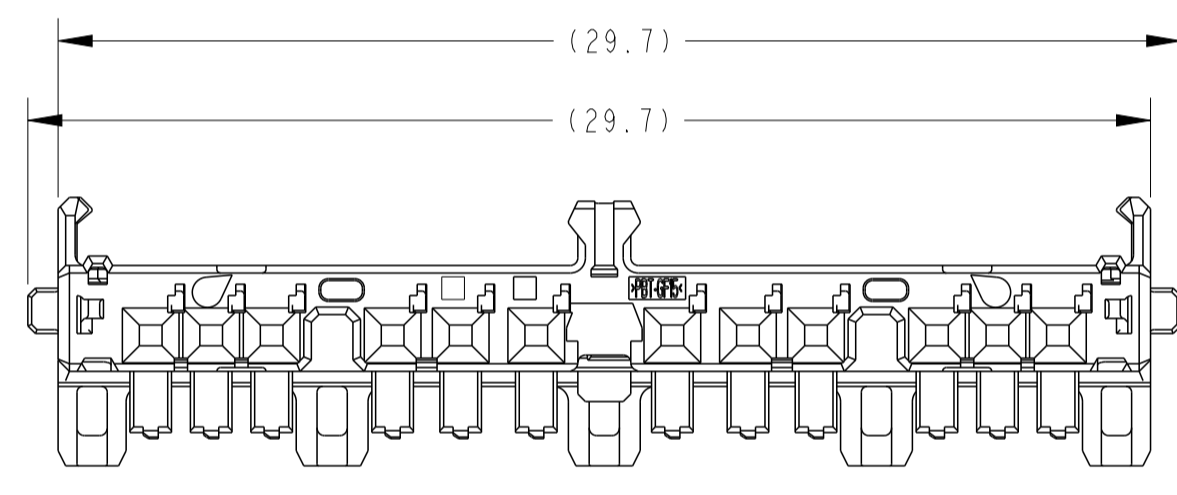
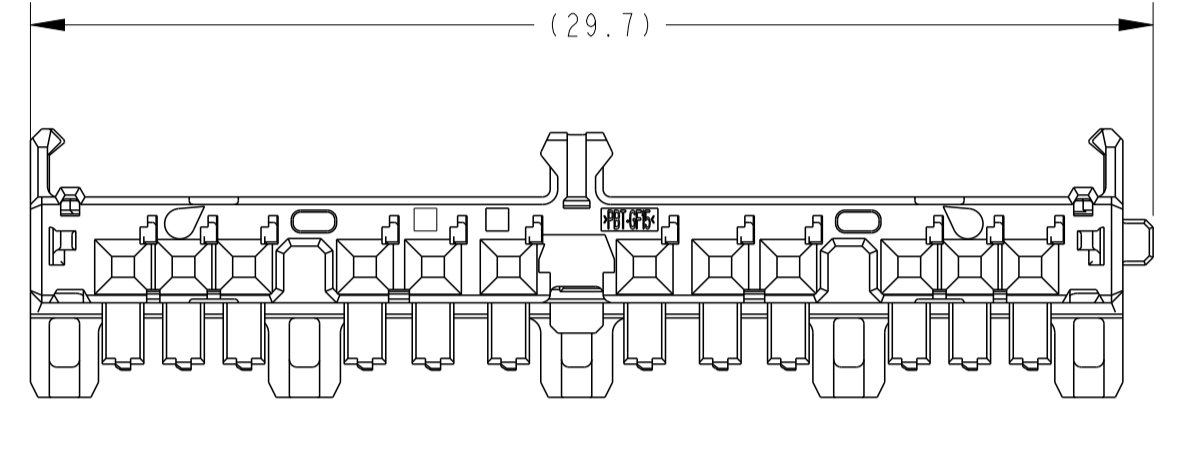
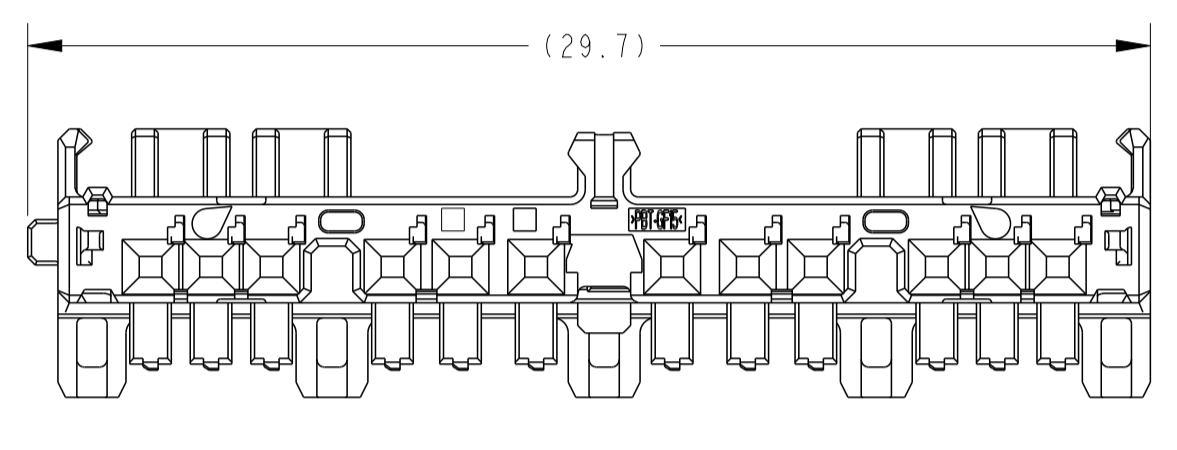
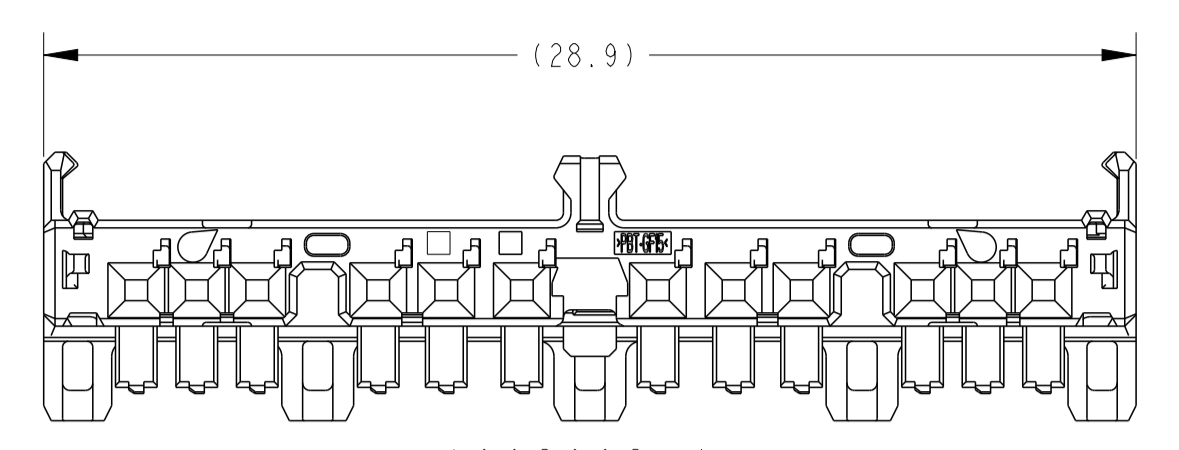
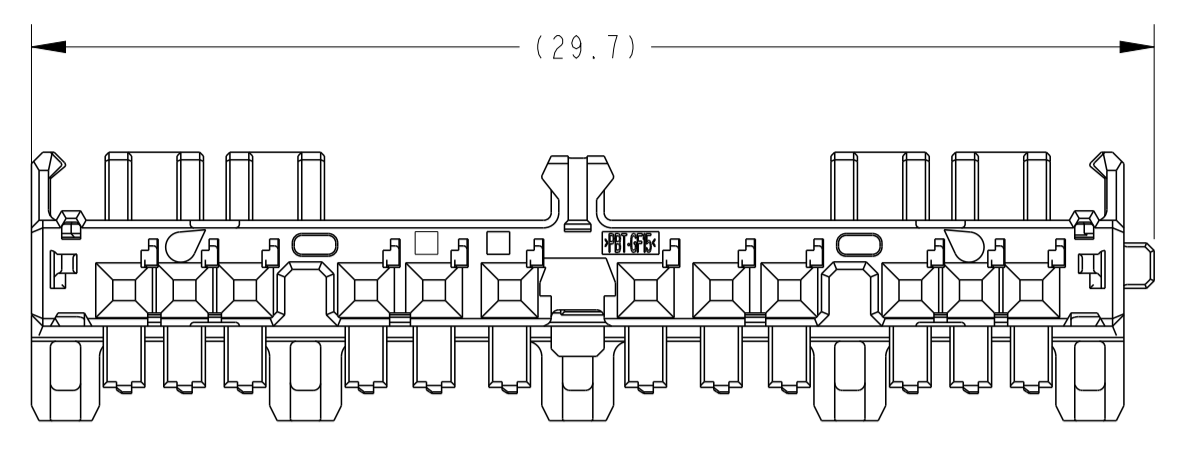
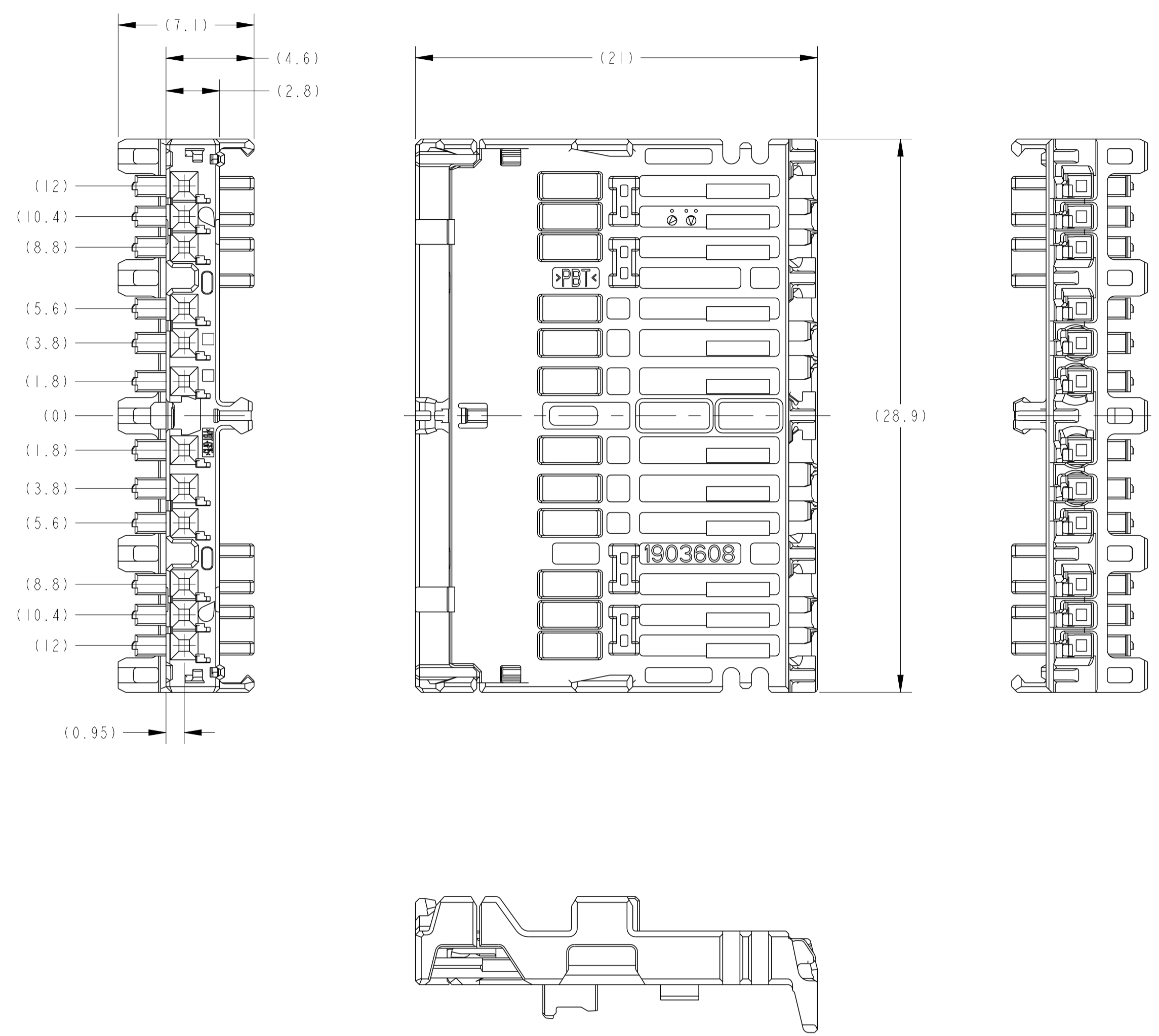


① -1, -7, 1--3; AS SHOWN
 -1, -7, 1--3; 本圖

REV. LIST		REVISIONS			
NO.	DATE	DESCRIPTION	DATE	OWN	APVD
B1	REVISD	ECR-17-002980	15MAR17	KT	TK
B2	REVISD	ECR-18-019662	04FEB19	SS	RK
B3	REVISD	ECR-20-007698	29MAY20	KT	RK



- 本製品は、別番のコンポーネントと組合せて使用する。
 - 取扱説明書 NO: 411-78268
 - 組合せ相手型番: 取扱説明書を参照のこと。
 - 適合相手代表型番: 取扱説明書を参照のこと。
 - 適用端子: TABLE-1 参照
- THIS PRODUCT IS USED STACK WITH ANOTHER COMPONENTS.
 - HANDLING OF THIS PART SHOULD FOLLOW INSTRUCTION SHEET NO.411-78268.
 - COMPONENTS NUMBER OF STACKING; REFERENCE TO INSTRUCTION SHEET.
 - MATING CONNECTOR PART(TYPICAL); REFERENCE TO INSTRUCTION SHEET.
 - APPLIED TERMINAL; SEE TABLE-1

		APPLIED TERMINAL P/N 適用端子 P/N	APPLICABLE WIRE RANGE 適用電線
SIGNAL 0.5	TIN	1827855-4	0.13~0.5mm ²
	TIN	1827855-1	
	GOLD	1903703-1	
	TIN	1827855-2	
	TIN	1827855-3	

PACKING STYLE	COLOR	PART NO.
PAPER BOX ダンボール箱	SOFT TRAY プラスチックトレイ	GRAY
		BLACK
	NATURAL	

THIS DRAWING IS A CONTROLLED DOCUMENT.

OWN: K. KATO 09DEC08
 CHK: R. KOMIYAMA 09DEC08
 APVD: H. YAMAGAMI 09DEC08

NAME: 0.5 12POSITION HOUSING ASSY STACKING TYPE

PRODUCT SPEC: 108-78437

APPLICATION SPEC: 108-78437

SIZE: A1 CAGE CODE: 00779 DRAWING NO: 1903608

WEIGHT: 1.25 g

MATERIAL: PBT FINISH: SEE TABLE

CUSTOMER DRAWING

SCALE: 5:1 SHEET: 1 OF 1 REV: B3

RESTRICTED TO