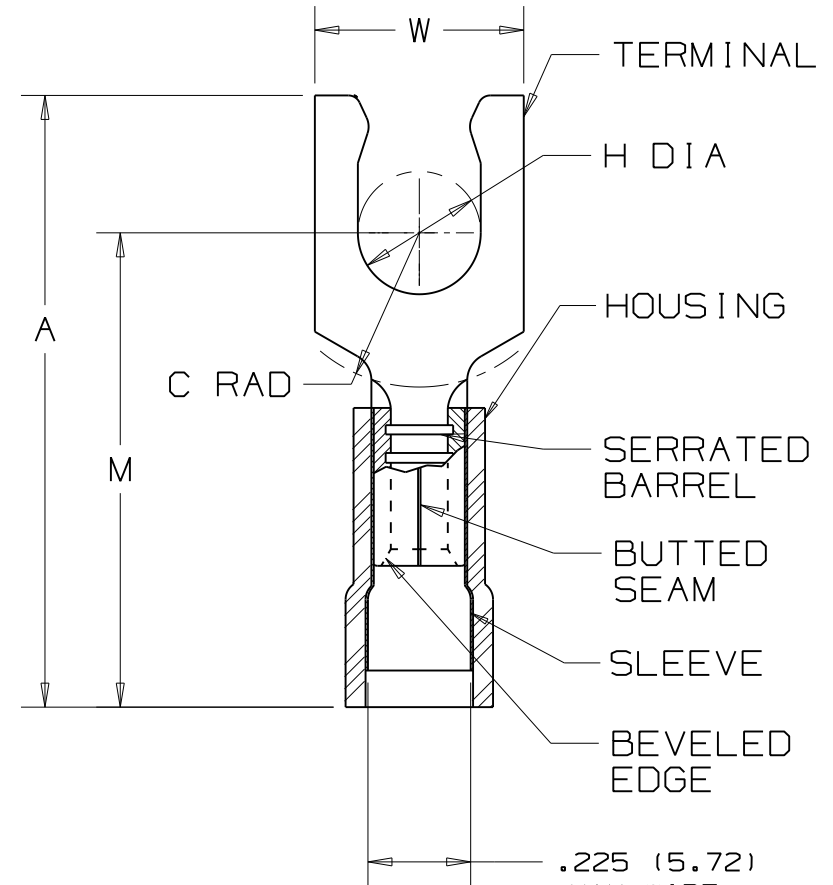


PANDUIT PART NUMBER	STUD SIZE	DIMENSIONS in.				
		A ±.04	W ±.01	C MIN	M ±.04	H ±.01
PN10-6LF	#6	1.02 (25.91)	.30 (7.62)	.23 (5.84)	.79 (20.07)	.14 (3.56)
PN10-8LF	#8	1.05 (26.67)	.30 (7.62)	.23 (5.84)	.79 (20.07)	.16 (4.06)
PN10-10LF	#10	1.05 (26.67)	.34 (8.64)	.23 (5.84)	.79 (20.07)	.19 (4.83)
PN10-14LF	1/4"	1.17 (29.72)	.46 (11.68)	.32 (8.13)	.90 (22.86)	.25 (6.35)

NOTES:

- UL LISTED AND CSA CERTIFIED FOR:
 - 600V. MAX. BLDG WIRE
(1000 V. MAX IN SIGNS, FIXTURES & LUMINARIES)
 - #14-10 AWG SOLID OR STRANDED
COPPER WIRE WITH THE CT-550
INSTALLATION TOOL.
 - #12-10 AWG STRANDED AND NO.12 AWG
SOLID COPPER WIRE WITH THE CT-1550
AND CT-1551 INSTALLATION TOOLS.
 - 221°F (105°C) MAX TEMP. RATING
- MATERIAL:
 - STAMPING - .04" (1.02) THK COPPER, TIN PLATED
 - HOUSING - NYLON, YELLOW
 - SLEEVE - BRASS, TIN PLATED
- STRIP LENGTH - $9/32 \pm \begin{smallmatrix} 1/32 \\ -0 \end{smallmatrix}$
- SEE www.panduit.com FOR PART NUMBER
SUFFIX DESIGNATION FOR PACKAGE SIZE.
- DIMENSIONS IN BRACKETS ARE IN MILLIMETERS



LISTED
587H
E52164



CERTIFIED
LR31212

09	5/11	SB		REVISED NOTE # 4					
REV	DATE	BY	CHK	DESCRIPTION	ECN	CUST	PM	DRAWN BY	CHK'D

PANDUIT

CORP.

TINLEY PARK, ILLINOIS

#12-10 BARREL NYLON INSULATED
LOCKING FORK, .225 (5.72) MAX.
WIRE INSULATION DIAMETER

DRAWN BY	CHK'D	SCALE	DRAWING NO.
DAW	LA	NONE	A41292