



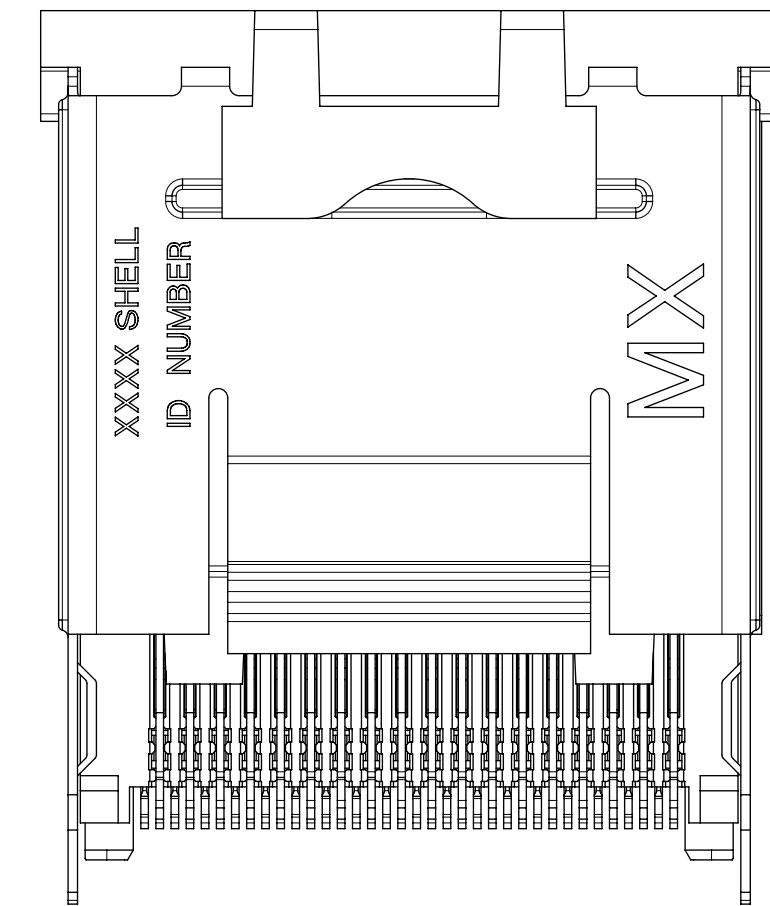
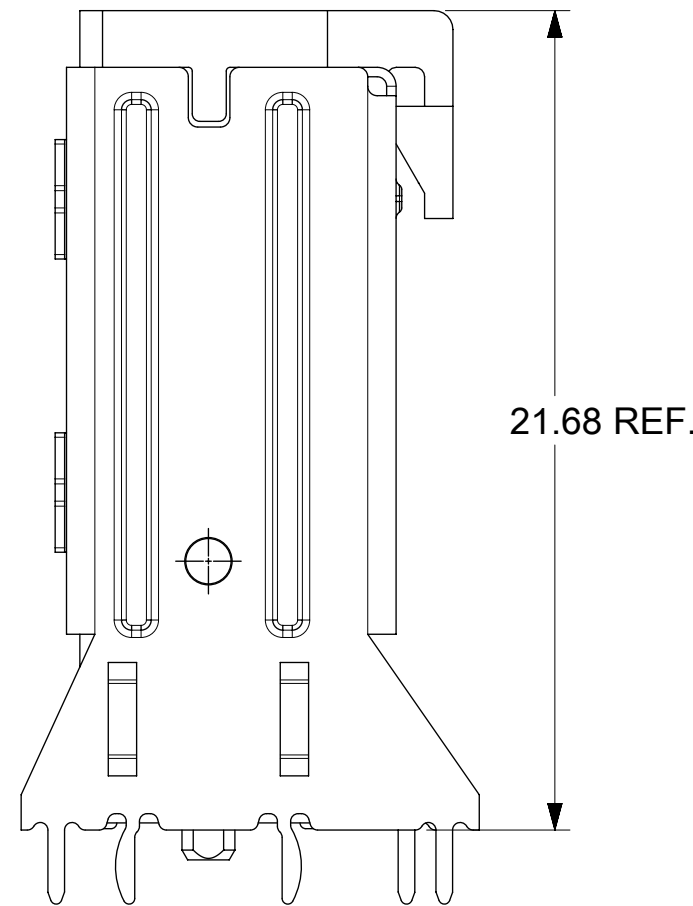
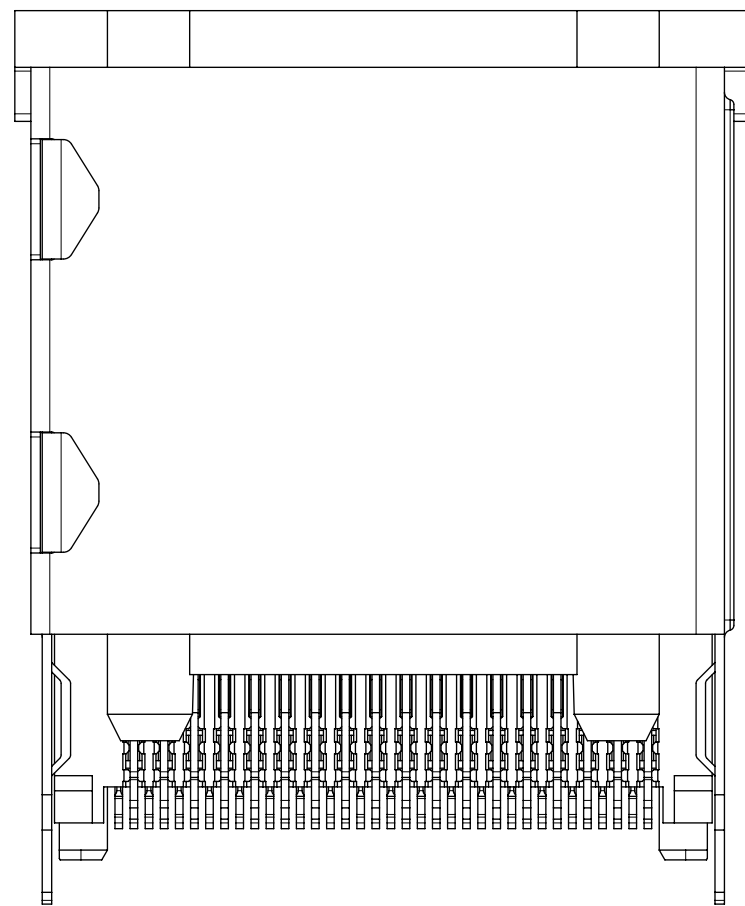
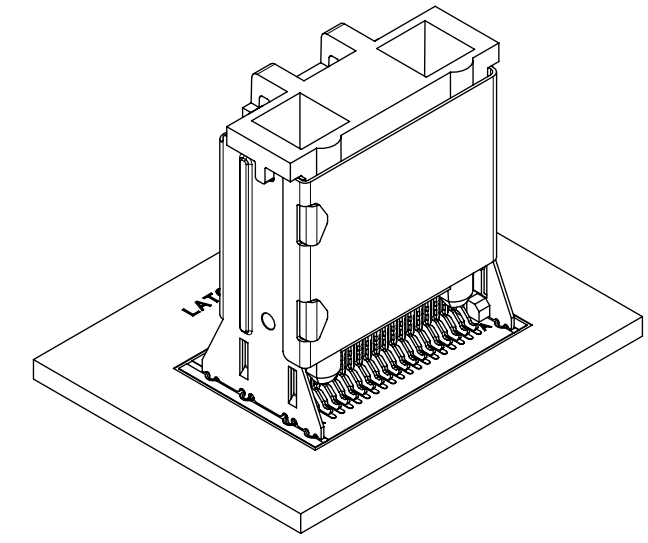
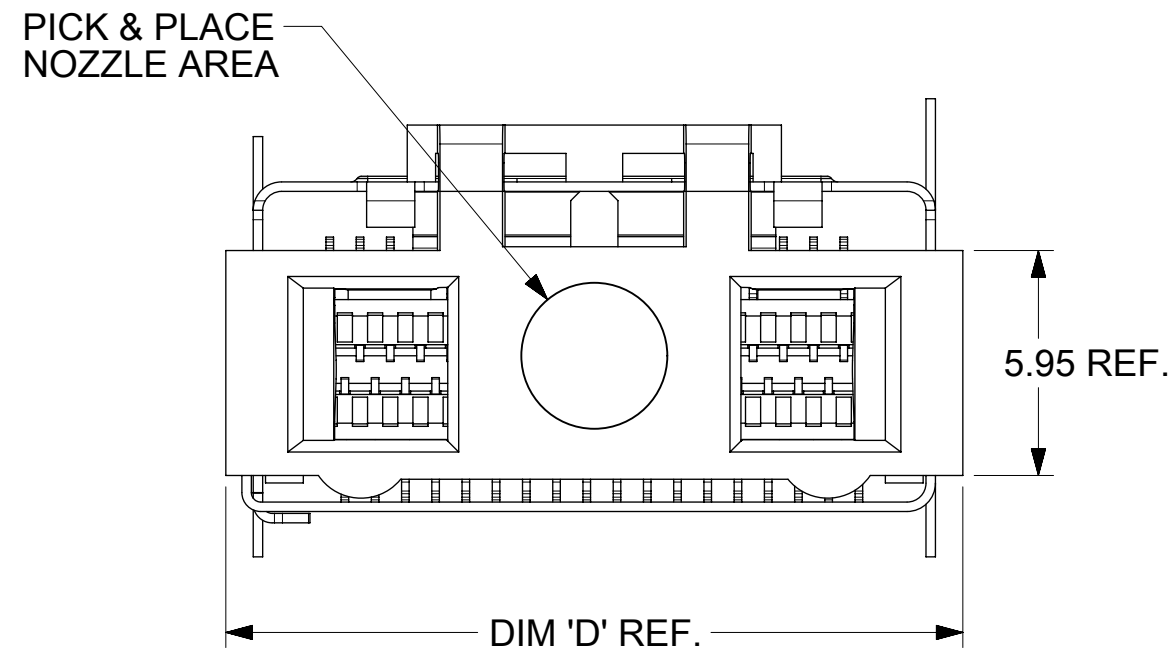
- NOTES:
- MATERIAL:
 - CONNECTOR: HOUSING - HIGH TEMPERATURE THERMOPLASTIC GLASS FILLED, UL 94V-0, BLACK
 - TERMINALS - COPPER ALLOY
 - SHELL: NICKEL SILVER, C770, THICKNESS: 0.250/0.254
 - FINISH:
 - CONNECTOR OPTION 1: CONTACT AREA - 0.38µm MIN GOLD OVER 2.54 µm NICKEL; SOLDER FOOT AREA - 2.54-5.09µm TIN OVER 1.27 µm NICKEL
 - CONNECTOR OPTION 2: CONTACT AREA - 0.76µm MIN GOLD OVER 2.54 µm NICKEL; SOLDER FOOT AREA - 2.54-5.09µm TIN OVER 1.27 µm NICKEL
 - TERMINAL SOLDER FEET TO BE COPLANAR WITHIN 0.10 MEASURED FROM DATUM E
 - DATE CODE: 4 DIGIT (3 DIGIT DAY, 1 DIGIT YEAR) ON CONNECTOR ONLY
 - CIRCUIT IDENTIFIER: SEE APPROPRIATE INDUSTRY SPECIFICATION FOR LOCATION OF PIN 1
 - TO BE USED WITH THE FOLLOWING CABLE SERIES: 79575/74563/79576/74573/79536/74562/74569/74586
 - PACKAGED PER PACKAGING SPECIFICATION: PK-75783-001
 - CONFORMS TO PRODUCT SPECIFICATION: PS-75783-001
 - PROCESS PER APPLICATION SPECIFICATION: AS-75783-001
 - THIS PART CONFORMS TO CLASS C REQUIREMENTS OF COSMETIC SPEC PS-45499-002

CIRCUIT SIZE	DIM 'A'	DIM 'B'	DIM 'C'
26	12.00	13.80	11.80
36	16.00	17.80	15.80
50	21.60	23.40	21.40
68	28.80	30.60	28.60

iPass™ IS A TRADEMARK OF MOLEX

SYMBOLS	THIS DRAWING CONTAINS INFORMATION THAT IS PROPRIETARY TO MOLEX ELECTRONIC TECHNOLOGIES, LLC AND SHOULD NOT BE USED WITHOUT WRITTEN PERMISSION	SCALE: 5:1	CURRENT REV DESC: MIGRATED TO NX
▽ = 0	mm	5:1	 I-PASS VERT CONNECTOR INTERNAL ASSY W/SHELL 0.8MM PITCH I/O
▽ = 0	GENERAL TOLERANCES (UNLESS SPECIFIED)		
▽ = 0	ANGULAR TOL ± 0.5°		
▽ = 0	4 PLACES ±		
▽ = 0	3 PLACES ±		EC NO: 666196
▽ = 0	2 PLACES ± 0.13		DRWN: BBEGALIMADHU 2018/03/05
▽ = 0	1 PLACE ± 0.25		CHK'D: JKACHLIC 2021/06/21
⊠ = 0	0 PLACES ±		APPR: JKACHLIC 2021/06/21
■ = 0	DRAFT WHERE APPLICABLE MUST REMAIN WITHIN DIMENSIONS		INITIAL REVISION:
▽ = 0	THIRD ANGLE PROJECTION		DRWN: KLANG 2005/04/15
	DRAWING		APPR: RNELSON 2005/04/18
	SERIES		DOCUMENT NUMBER
	C-SIZE		SD-75784-001
	75784		DOC TYPE
	SEE CHART		PSD
	CUSTOMER		DOC PART
	GENERAL MARKET		001
	SHEET NUMBER		REVISION
	1 OF 13		D5

ASSEMBLY WITH PRE-POSITIONING DEVICE



36 CIRCUIT RETENTION FIT SHOWN

NOTES:

1. PICK AND PLACE LOCATION DEFINED ON APPLICATION SPECIFICATION AS-75783-001
2. PACKAGING CONSISTS OF CONNECTOR AND SHELL WITH A PRE-POSITIONING PICK AND PLACE DEVICE THAT ARE PACKAGED IN "TAPE AND REEL" FOR ROBOTIC PICK AND PLACE.

iPass™ IS A TRADEMARK OF MOLEX

CIRCUIT SIZE	DIM 'D'
26	15.50
36	19.50
50	25.10
68	32.30

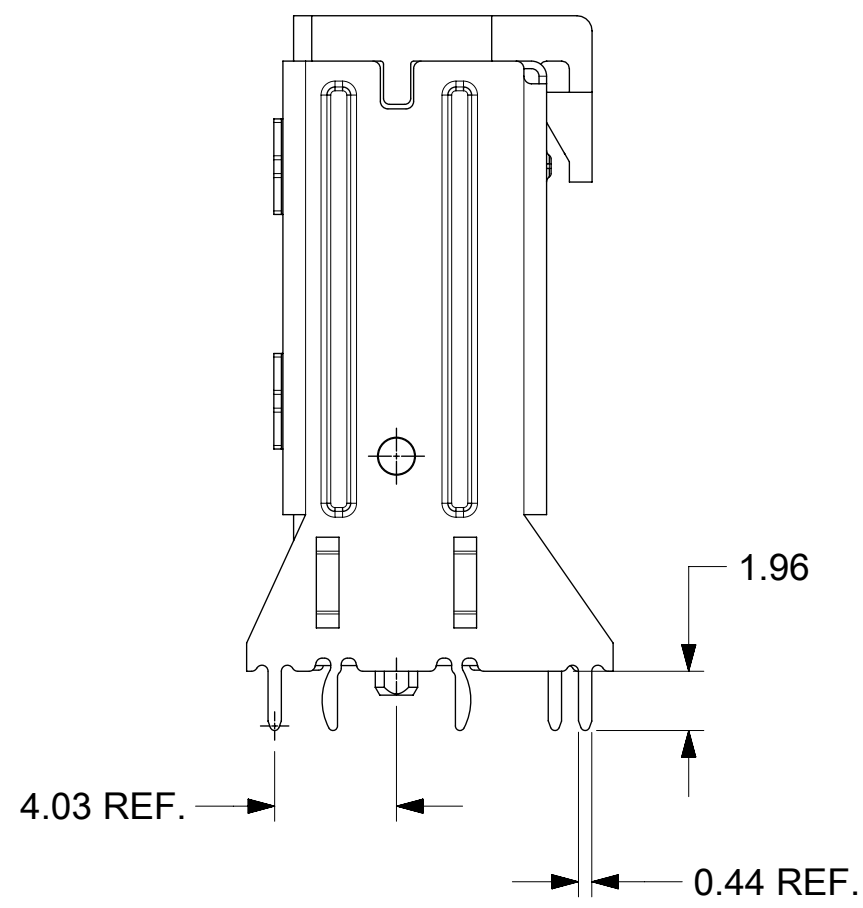
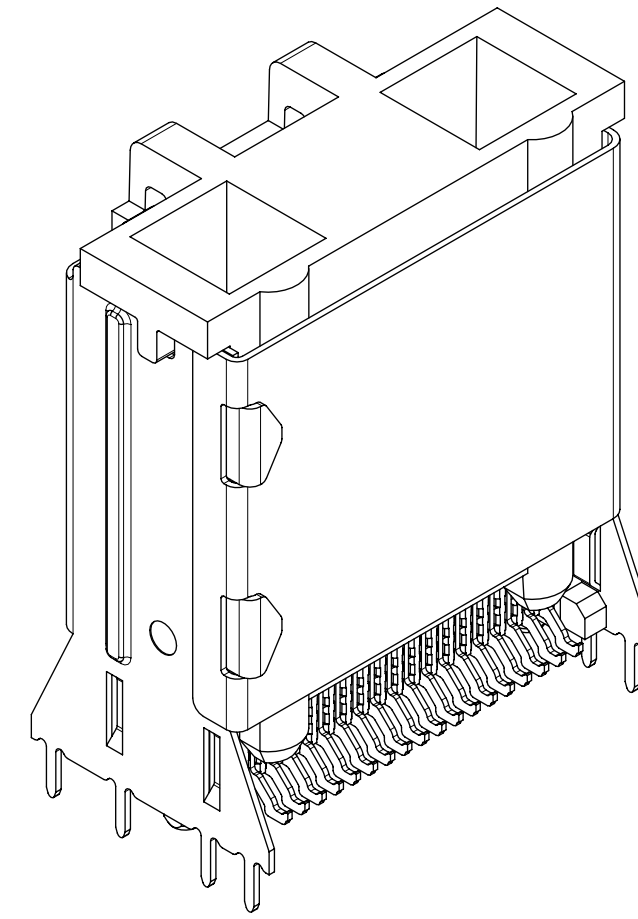
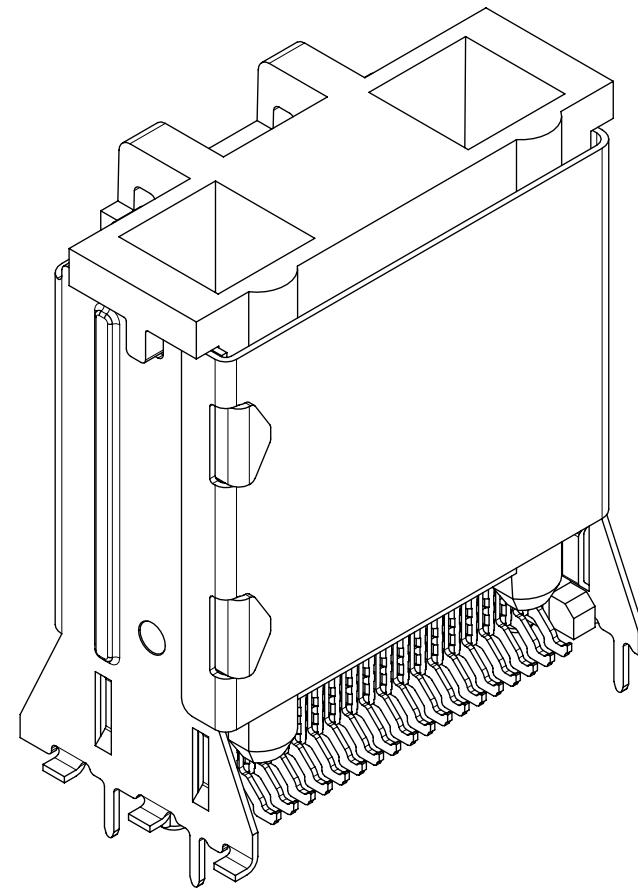
SYMBOLS		THIS DRAWING CONTAINS INFORMATION THAT IS PROPRIETARY TO MOLEX ELECTRONIC TECHNOLOGIES, LLC AND SHOULD NOT BE USED WITHOUT WRITTEN PERMISSION		CURRENT REV DESC: MIGRATED TO NX	
DIMENSION UNITS	SCALE				
= 0	mm	5:1			
= 0	GENERAL TOLERANCES (UNLESS SPECIFIED)				
= 0	ANGULAR TOL ± 0.5°				
= 0	4 PLACES ±				
= 0	3 PLACES ±				
= 0	2 PLACES ± 0.13				
= 0	1 PLACE ± 0.25				
= 0	0 PLACES ±				
= 0	DRAFT WHERE APPLICABLE MUST REMAIN WITHIN DIMENSIONS				
		THIRD ANGLE PROJECTION	DRAWING	SERIES	
			C-SIZE	75784	
		EC NO: 666196		DRWN: BBEGALIMADHU 2018/03/05	
		CHK'D: JKACHLIC 2021/06/21		APPR: JKACHLIC 2021/06/21	
		INITIAL REVISION:		DRWN: KLANG 2005/04/15	
				APPR: RNELSON 2005/04/18	
DOCUMENT STATUS		P1		RELEASE DATE 2021/06/21 03:48:56	
DOCUMENT NUMBER		DOC TYPE		DOC PART	
SD-75784-001		PSD		001	
MATERIAL NUMBER		CUSTOMER		SHEET NUMBER	
SEE CHART		GENERAL MARKET		2 OF 13	

molex

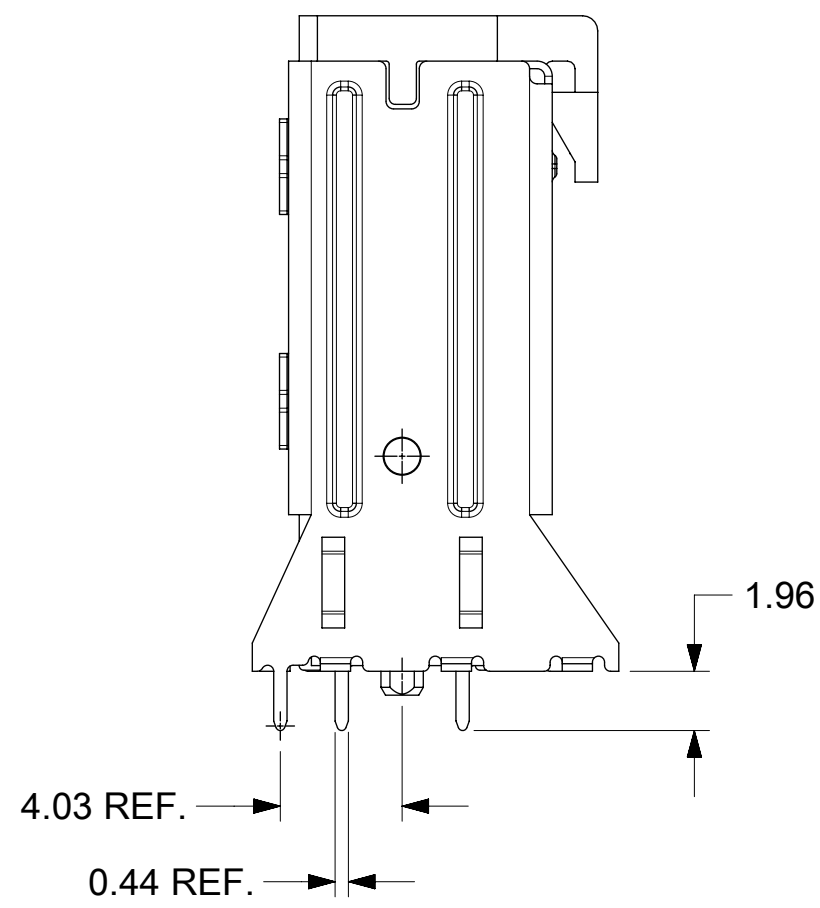
I-PASS VERT CONNECTOR
INTERNAL ASSY W/SHELL 0.8MM PITCH I/O

PRODUCT CUSTOMER DRAWING

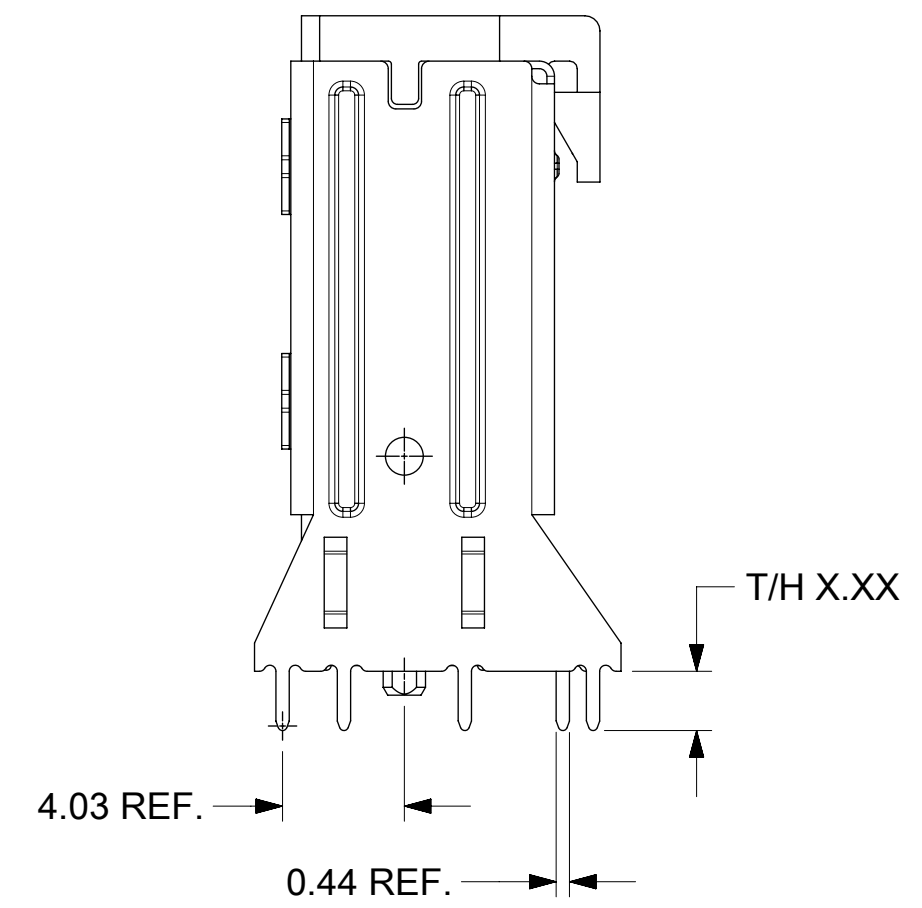
SHELL PCB INTERFACE



**RETENTION-FIT
SHELL OPTION**



SMT SHELL OPTION



**THRU-HOLE SHELL OPTION
SEE TABLE FOR LENGTH
(X.XX DENOTES LENGTH)**

**RECOMMENDED PCB THICKNESS
FOR SPECIFIED TAIL LENGTH**

TAIL LENGTH	PCB THICKNESS
1.96	1.57 (.062)
2.79	2.36 (.093)
3.18	2.79 (.110)
3.56	3.18 (.125)

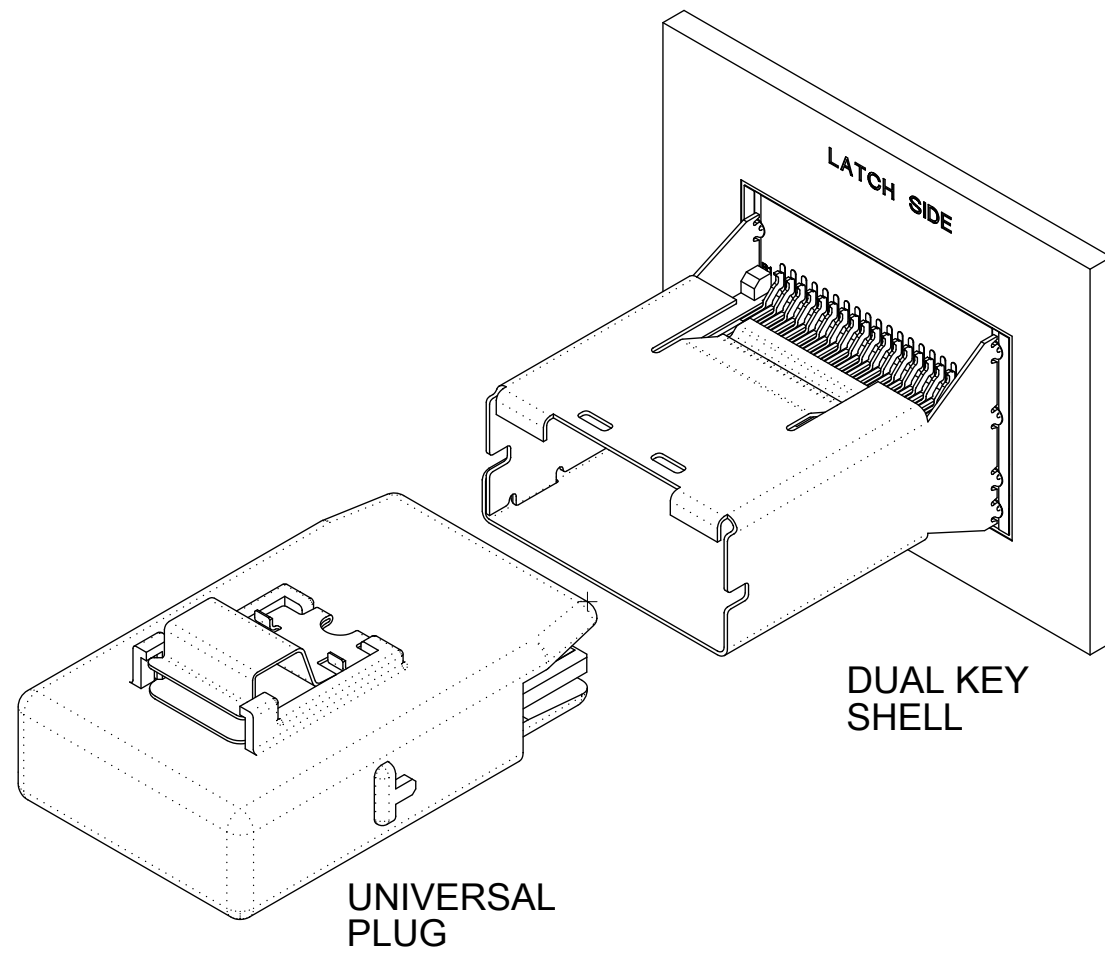
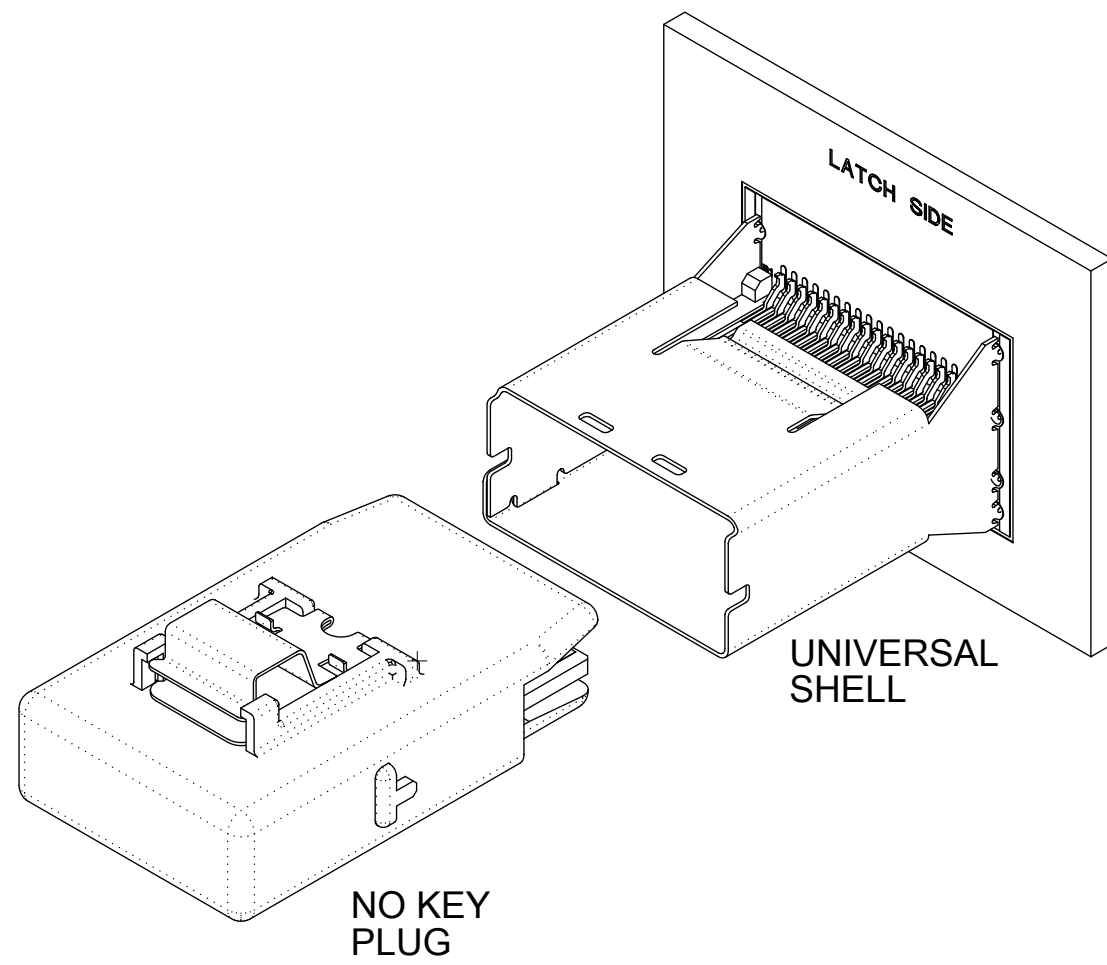
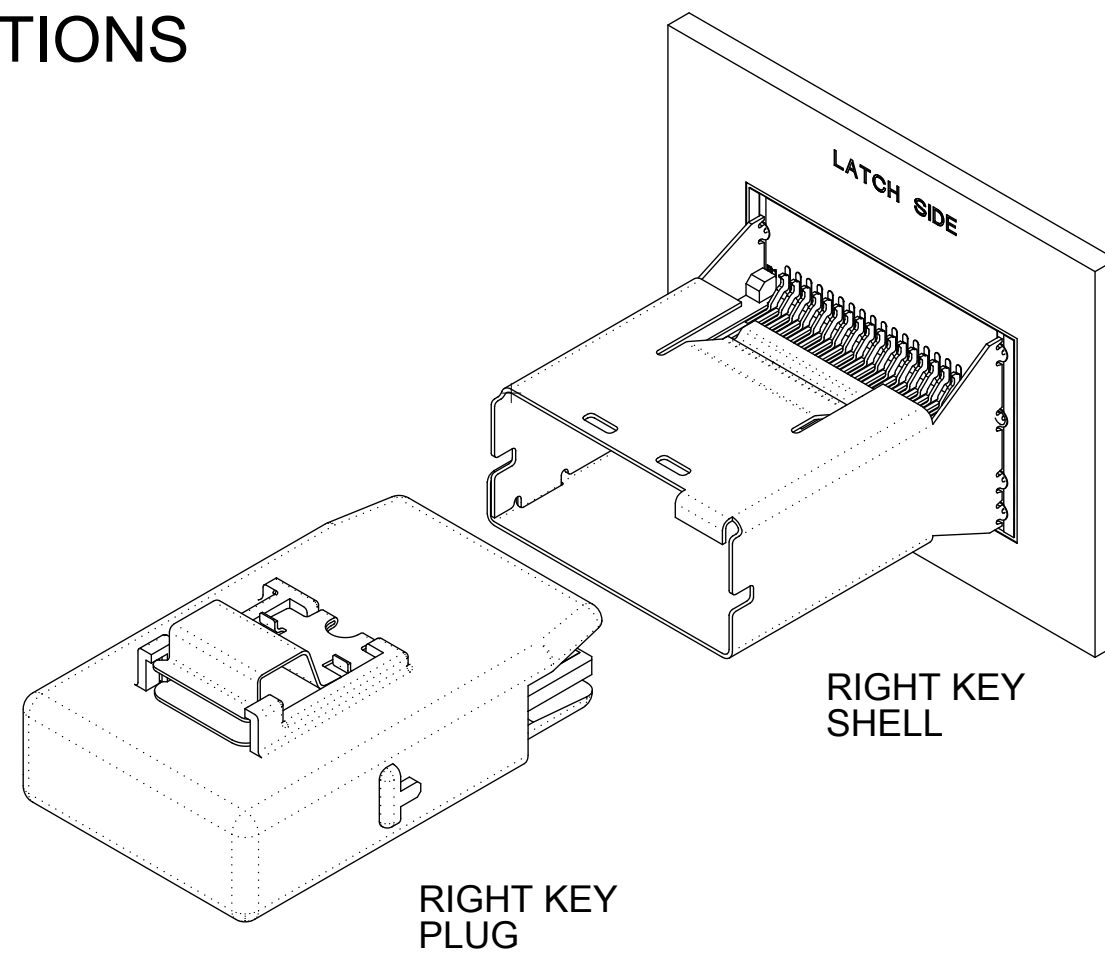
NOTE:
RETENTION FIT DENOTES TAILS THAT OFFER RETENTION TO PCB DURING REFLOW PROCESS
SMT DENOTES SURFACE MOUNT TERMINATION
T/H X.XX DENOTES THRU-HOLE TAIL OF LENGTH X.XX

iPass™ IS A TRADEMARK OF MOLEX

SYMBOLS ▽ = 0 ▽ = 0 ▽ = 0 ▽ = 0 ▽ = 0 ▽ = 0 ▽ = 0 ▽ = 0 ▽ = 0 ▽ = 0	THIS DRAWING CONTAINS INFORMATION THAT IS PROPRIETARY TO MOLEX ELECTRONIC TECHNOLOGIES, LLC AND SHOULD NOT BE USED WITHOUT WRITTEN PERMISSION		DIMENSION UNITS: mm SCALE: 4:1		CURRENT REV DESC: MIGRATED TO NX					
	GENERAL TOLERANCES (UNLESS SPECIFIED) ANGULAR TOL ± 0.5°		EC NO: 666196 DRWN: BBEGALIMADHU 2018/03/05 CHK'D: JKACHLIC 2021/06/21 APPR: JKACHLIC 2021/06/21		INITIAL REVISION: DRWN: KLANG 2005/04/15 APPR: RNELSON 2005/04/18				DOCUMENT NUMBER SD-75784-001	DOC TYPE PSD
DRAFT WHERE APPLICABLE MUST REMAIN WITHIN DIMENSIONS		THIRD ANGLE PROJECTION		DRAWING C-SIZE		SERIES 75784		MATERIAL NUMBER SEE CHART	CUSTOMER GENERAL MARKET	SHEET NUMBER 3 OF 13

DOCUMENT STATUS	P1	RELEASE DATE	2021/06/21	03:48:56
-----------------	----	--------------	------------	----------

KEYING OPTIONS



	UNIVERSAL SHELL	LEFT KEY SHELL	RIGHT KEY SHELL	DUAL KEY SHELL
NO KEY PLUG	YES	NO	NO	NO
LEFT KEY PLUG	YES	YES	NO	NO
RIGHT KEY PLUG	YES	NO	YES	NO
UNIVERSAL PLUG	YES	YES	YES	YES

iPass™ IS A TRADEMARK OF MOLEX

SYMBOLS		THIS DRAWING CONTAINS INFORMATION THAT IS PROPRIETARY TO MOLEX ELECTRONIC TECHNOLOGIES, LLC AND SHOULD NOT BE USED WITHOUT WRITTEN PERMISSION		CURRENT REV DESC: MIGRATED TO NX	
▽ = 0	mm	SCALE	2:1	molex I-PASS VERT CONNECTOR INTERNAL ASSY W/SHELL 0.8MM PITCH I/O PRODUCT CUSTOMER DRAWING	
▽ = 0	GENERAL TOLERANCES (UNLESS SPECIFIED)		EC NO: 666196		
▽ = 0	ANGULAR TOL ± 0.5°		DRWN: BBEGALIMADHU 2018/03/05		
▽ = 0	4 PLACES ±		CHK'D: JKACHLIC 2021/06/21		
▽ = 0	3 PLACES ±		APPR: JKACHLIC 2021/06/21	DOCUMENT NUMBER	
▽ = 0	2 PLACES ± 0.13		INITIAL REVISION:	SD-75784-001	
▽ = 0	1 PLACE ± 0.25		DRWN: KLANG 2005/04/15	DOC TYPE	DOC PART
▽ = 0	0 PLACES ±		APPR: RNELSON 2005/04/18	PSD	001
⊠ = 0	DRAFT WHERE APPLICABLE MUST REMAIN WITHIN DIMENSIONS		THIRD ANGLE PROJECTION	REVISION	
▽ = 0			DRAWING	D5	
		C-SIZE		SHEET NUMBER	
		75784		4 OF 13	
		SERIES		MATERIAL NUMBER	
				SEE CHART	
				CUSTOMER	
				GENERAL MARKET	

26 CIRCUIT ITEM NUMBERS

CIRCUIT SIZE	ITEM NUMBER	PLATING OPTION	SHELL PCB OPTION	SHELL KEY OPTION
26	75784-0007	OPTION 1	RETENTION	LEFT
26	75784-0008	OPTION 1	RETENTION	RIGHT
26	75784-0012	OPTION 1	SMT	DUAL
26	75784-0019	OPTION 2	RETENTION	LEFT
26	75784-0020	OPTION 2	RETENTION	RIGHT
26	75784-0021	OPTION 2	RETENTION	DUAL
26	75784-0022	OPTION 2	SMT	LEFT
26	75784-0023	OPTION 2	SMT	RIGHT
26	75784-0024	OPTION 2	SMT	DUAL
26	75784-0025	OPTION 1	RETENTION	UNIVERSAL
26	75784-0026	OPTION 1	SMT	UNIVERSAL
26	75784-0028	OPTION 2	SMT	UNIVERSAL
26	75784-0029	OPTION 1	T/H 1.96	LEFT
26	75784-0030	OPTION 1	T/H 1.96	RIGHT
26	75784-0031	OPTION 1	T/H 1.96	DUAL
26	75784-0032	OPTION 1	T/H 1.96	UNIVERSAL
26	75784-0033	OPTION 2	T/H 1.96	LEFT
26	75784-0034	OPTION 2	T/H 1.96	RIGHT
26	75784-0035	OPTION 2	T/H 1.96	DUAL

CIRCUIT SIZE	ITEM NUMBER	PLATING OPTION	SHELL PCB OPTION	SHELL KEY OPTION
26	75784-0037	OPTION 1	T/H 2.79	LEFT
26	75784-0038	OPTION 1	T/H 2.79	RIGHT
26	75784-0039	OPTION 1	T/H 2.79	DUAL
26	75784-0040	OPTION 1	T/H 2.79	UNIVERSAL
26	75784-0041	OPTION 2	T/H 2.79	LEFT
26	75784-0042	OPTION 2	T/H 2.79	RIGHT
26	75784-0043	OPTION 2	T/H 2.79	DUAL
26	75784-0045	OPTION 1	T/H 3.18	LEFT
26	75784-0046	OPTION 1	T/H 3.18	RIGHT
26	75784-0047	OPTION 1	T/H 3.18	DUAL
26	75784-0048	OPTION 1	T/H 3.18	UNIVERSAL
26	75784-0049	OPTION 2	T/H 3.18	LEFT
26	75784-0050	OPTION 2	T/H 3.18	RIGHT
26	75784-0051	OPTION 2	T/H 3.18	DUAL
26	75784-0052	OPTION 2	T/H 3.18	UNIVERSAL

iPass™ IS A TRADEMARK OF MOLEX

THIS DRAWING CONTAINS INFORMATION THAT IS PROPRIETARY TO MOLEX ELECTRONIC TECHNOLOGIES, LLC AND SHOULD NOT BE USED WITHOUT WRITTEN PERMISSION															
SYMBOLS ▽ = 0 ▽ = 0 ▽ = 0 ▽ = 0 ▽ = 0 ▽ = 0 ▽ = 0 ▽ = 0 ▽ = 0 ▽ = 0 ▽ = 0 ▽ = 0	DIMENSION UNITS	SCALE	CURRENT REV DESC: MIGRATED TO NX						 I-PASS VERT CONNECTOR INTERNAL ASSY W/SHELL 0.8MM PITCH I/O						
	mm	1:1	GENERAL TOLERANCES (UNLESS SPECIFIED)												
	ANGULAR TOL ± 0.5°			EC NO: 666196			DRWN: BBEGALIMADHU 2018/03/05			CHK'D: JKACHLIC 2021/06/21		APPR: JKACHLIC 2021/06/21			
	4 PLACES ±			INITIAL REVISION:			DRWN: KLANG 2005/04/15			APPR: RNELSON 2005/04/18		DOCUMENT NUMBER			
3 PLACES ±			2 PLACES ± 0.13			1 PLACE ± 0.25			0 PLACES ±			DOC TYPE			
DRAFT WHERE APPLICABLE MUST REMAIN WITHIN DIMENSIONS			THIRD ANGLE PROJECTION			DRAWING		SERIES		MATERIAL NUMBER		CUSTOMER		SHEET NUMBER	
						C-SIZE		75784		SEE CHART		GENERAL MARKET		5 OF 13	

36 CIRCUIT ITEM NUMBERS

CIRCUIT SIZE	ITEM NUMBER	PLATING OPTION	SHELL PCB OPTION	SHELL KEY OPTION
36	75784-0107	OPTION 1	RETENTION	LEFT
36	75784-0108	OPTION 1	RETENTION	RIGHT
36	75784-0109	OPTION 1	RETENTION	DUAL
36	75784-0110	OPTION 1	SMT	LEFT
36	75784-0111	OPTION 1	SMT	RIGHT
36	75784-0112	OPTION 1	SMT	DUAL
36	75784-0119	OPTION 2	RETENTION	LEFT
36	75784-0120	OPTION 2	RETENTION	RIGHT
36	75784-0121	OPTION 2	RETENTION	DUAL
36	75784-0125	OPTION 1	RETENTION	UNIVERSAL
36	75784-0126	OPTION 1	SMT	UNIVERSAL
36	75784-0127	OPTION 2	RETENTION	UNIVERSAL
36	75784-0130	OPTION 1	T/H 1.96	RIGHT
36	75784-0131	OPTION 1	T/H 1.96	DUAL
36	75784-0132	OPTION 1	T/H 1.96	UNIVERSAL
36	75784-0135	OPTION 2	T/H 1.96	DUAL
36	75784-0136	OPTION 2	T/H 1.96	UNIVERSAL

CIRCUIT SIZE	ITEM NUMBER	PLATING OPTION	SHELL PCB OPTION	SHELL KEY OPTION
36	75784-0137	OPTION 1	T/H 2.79	LEFT
36	75784-0138	OPTION 1	T/H 2.79	RIGHT
36	75784-0139	OPTION 1	T/H 2.79	DUAL
36	75784-0140	OPTION 1	T/H 2.79	UNIVERSAL
36	75784-0141	OPTION 2	T/H 2.79	LEFT
36	75784-0142	OPTION 2	T/H 2.79	RIGHT
36	75784-0143	OPTION 2	T/H 2.79	DUAL
36	75784-0144	OPTION 2	T/H 2.79	UNIVERSAL
36	75784-0145	OPTION 1	T/H 3.18	LEFT
36	75784-0146	OPTION 1	T/H 3.18	RIGHT
36	75784-0147	OPTION 1	T/H 3.18	DUAL
36	75784-0148	OPTION 1	T/H 3.18	UNIVERSAL
36	75784-0149	OPTION 2	T/H 3.18	LEFT
36	75784-0150	OPTION 2	T/H 3.18	RIGHT
36	75784-0151	OPTION 2	T/H 3.18	DUAL
36	75784-0152	OPTION 2	T/H 3.18	UNIVERSAL
36	75784-0153	OPTION 1	T/H 3.56	LEFT
36	75784-0154	OPTION 1	T/H 3.56	RIGHT
36	75784-0155	OPTION 1	T/H 3.56	DUAL
36	75784-0156	OPTION 1	T/H 3.56	UNIVERSAL
36	75784-0157	OPTION 2	T/H 3.56	LEFT
36	75784-0158	OPTION 2	T/H 3.56	RIGHT
36	75784-0159	OPTION 2	T/H 3.56	DUAL
36	75784-0160	OPTION 2	T/H 3.56	UNIVERSAL

iPass™ IS A TRADEMARK OF MOLEX

THIS DRAWING CONTAINS INFORMATION THAT IS PROPRIETARY TO MOLEX ELECTRONIC TECHNOLOGIES, LLC AND SHOULD NOT BE USED WITHOUT WRITTEN PERMISSION													
SYMBOLS ▽ = 0 ▽ = 0 ▽ = 0 ▽ = 0 ▽ = 0 ▽ = 0 ▽ = 0 ▽ = 0 ▽ = 0 ▽ = 0	DIMENSION UNITS	SCALE	CURRENT REV DESC: MIGRATED TO NX						molex				
	mm	1:1	GENERAL TOLERANCES (UNLESS SPECIFIED)						I-PASS VERT CONNECTOR INTERNAL ASSY W/SHELL 0.8MM PITCH I/O				
	ANGULAR TOL ± 0.5°		EC NO: 666196						PRODUCT CUSTOMER DRAWING				
	4 PLACES ±		DRWN: BBEGALIMADHU 2018/03/05										
	3 PLACES ±		CHK'D: JKACHLIC 2021/06/21						DOCUMENT NUMBER DOC TYPE DOC PART REVISION				
2 PLACES ± 0.13		APPR: JKACHLIC 2021/06/21						SD-75784-001					
1 PLACE ± 0.25		INITIAL REVISION:						MATERIAL NUMBER CUSTOMER SHEET NUMBER					
0 PLACES ±		DRWN: KLANG 2005/04/15						SEE CHART GENERAL MARKET 6 OF 13					
0 PLACES ±		APPR: RNELSON 2005/04/18						C-SIZE 75784					
DRAFT WHERE APPLICABLE MUST REMAIN WITHIN DIMENSIONS		THIRD ANGLE PROJECTION		DRAWING		SERIES		SERIES 75784					

50 CIRCUIT ITEM NUMBERS

CIRCUIT SIZE	ITEM NUMBER	PLATING OPTION	SHELL PCB OPTION	SHELL KEY OPTION
50	75784-0207	OPTION 1	RETENTION	LEFT
50	75784-0209	OPTION 1	RETENTION	DUAL
50	75784-0210	OPTION 1	SMT	LEFT
50	75784-0211	OPTION 1	SMT	RIGHT
50	75784-0219	OPTION 2	RETENTION	LEFT
50	75784-0220	OPTION 2	RETENTION	RIGHT
50	75784-0221	OPTION 2	RETENTION	DUAL
50	75784-0222	OPTION 2	SMT	LEFT
50	75784-0223	OPTION 2	SMT	RIGHT
50	75784-0224	OPTION 2	SMT	DUAL
50	75784-0227	OPTION 2	RETENTION	UNIVERSAL
50	75784-0228	OPTION 2	SMT	UNIVERSAL
50	75784-0229	OPTION 1	T/H 1.96	LEFT
50	75784-0230	OPTION 1	T/H 1.96	RIGHT
50	75784-0231	OPTION 1	T/H 1.96	DUAL
50	75784-0232	OPTION 1	T/H 1.96	UNIVERSAL
50	75784-0233	OPTION 2	T/H 1.96	LEFT
50	75784-0234	OPTION 2	T/H 1.96	RIGHT
50	75784-0235	OPTION 2	T/H 1.96	DUAL
50	75784-0236	OPTION 2	T/H 1.96	UNIVERSAL

CIRCUIT SIZE	ITEM NUMBER	PLATING OPTION	SHELL PCB OPTION	SHELL KEY OPTION
50	75784-0237	OPTION 1	T/H 2.79	LEFT
50	75784-0238	OPTION 1	T/H 2.79	RIGHT
50	75784-0239	OPTION 1	T/H 2.79	DUAL
50	75784-0240	OPTION 1	T/H 2.79	UNIVERSAL
50	75784-0241	OPTION 2	T/H 2.79	LEFT
50	75784-0242	OPTION 2	T/H 2.79	RIGHT
50	75784-0243	OPTION 2	T/H 2.79	DUAL
50	75784-0244	OPTION 2	T/H 2.79	UNIVERSAL
50	75784-0246	OPTION 1	T/H 3.18	RIGHT
50	75784-0247	OPTION 1	T/H 3.18	DUAL
50	75784-0248	OPTION 1	T/H 3.18	UNIVERSAL
50	75784-0249	OPTION 2	T/H 3.18	LEFT
50	75784-0250	OPTION 2	T/H 3.18	RIGHT
50	75784-0251	OPTION 2	T/H 3.18	DUAL
50	75784-0252	OPTION 2	T/H 3.18	UNIVERSAL

iPass™ IS A TRADEMARK OF MOLEX

SYMBOLS ▽ = 0 ▽ = 0 ▽ = 0 ▽ = 0 ▽ = 0 ▽ = 0 ▽ = 0 ▽ = 0 ▽ = 0 ▽ = 0	THIS DRAWING CONTAINS INFORMATION THAT IS PROPRIETARY TO MOLEX ELECTRONIC TECHNOLOGIES, LLC AND SHOULD NOT BE USED WITHOUT WRITTEN PERMISSION	DIMENSION UNITS mm	SCALE 1:1	CURRENT REV DESC: MIGRATED TO NX EC NO: 666196 DRWN: BBEGALIMADHU 2018/03/05 CHK'D: JKACHLIC 2021/06/21 APPR: JKACHLIC 2021/06/21	<p style="margin: 5px 0;">I-PASS VERT CONNECTOR INTERNAL ASSY W/SHELL 0.8MM PITCH I/O</p> <p style="text-align: center; font-weight: bold; font-size: 10px;">PRODUCT CUSTOMER DRAWING</p>	
	GENERAL TOLERANCES (UNLESS SPECIFIED) ANGULAR TOL ± 0.5° 4 PLACES ± 3 PLACES ± 2 PLACES ± 0.13 1 PLACE ± 0.25 0 PLACES ±	INITIAL REVISION: DRWN: KLANG 2005/04/15 APPR: RNELSON 2005/04/18	DOCUMENT NUMBER SD-75784-001	DOC TYPE PSD	DOC PART 001	REVISION D5
	DRAFT WHERE APPLICABLE MUST REMAIN WITHIN DIMENSIONS	THIRD ANGLE PROJECTION 	DRAWING C-SIZE	SERIES 75784	MATERIAL NUMBER SEE CHART	CUSTOMER GENERAL MARKET
	SHEET NUMBER 7 OF 13					

68 CIRCUIT ITEM NUMBERS

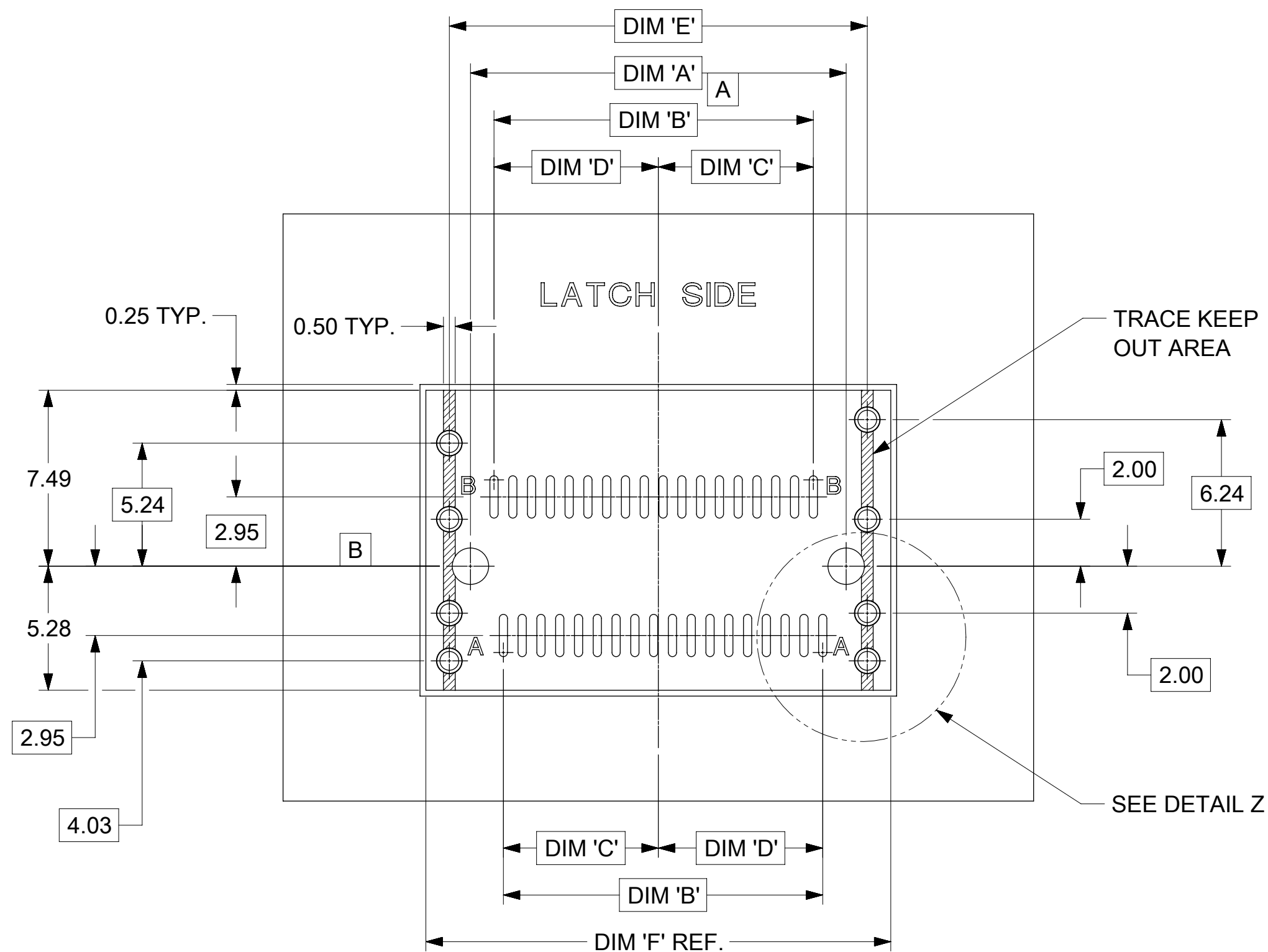
CIRCUIT SIZE	ITEM NUMBER	PLATING OPTION	SHELL PCB OPTION	SHELL KEY OPTION
68	75784-0309	OPTION 1	RETENTION	DUAL
68	75784-0310	OPTION 1	SMT	LEFT
68	75784-0311	OPTION 1	SMT	RIGHT
68	75784-0312	OPTION 1	SMT	DUAL
68	75784-0319	OPTION 2	RETENTION	LEFT
68	75784-0321	OPTION 2	RETENTION	DUAL
68	75784-0322	OPTION 2	SMT	LEFT
68	75784-0323	OPTION 2	SMT	RIGHT
68	75784-0325	OPTION 1	RETENTION	UNIVERSAL
68	75784-0331	OPTION 1	T/H 1.96	DUAL
68	75784-0332	OPTION 1	T/H 1.96	UNIVERSAL
68	75784-0335	OPTION 2	T/H 1.96	DUAL
68	75784-0336	OPTION 2	T/H 1.96	UNIVERSAL

CIRCUIT SIZE	ITEM NUMBER	PLATING OPTION	SHELL PCB OPTION	SHELL KEY OPTION
68	75784-0338	OPTION 1	T/H 2.79	RIGHT
68	75784-0339	OPTION 1	T/H 2.79	DUAL
68	75784-0340	OPTION 1	T/H 2.79	UNIVERSAL
68	75784-0341	OPTION 2	T/H 2.79	LEFT
68	75784-0342	OPTION 2	T/H 2.79	RIGHT
68	75784-0343	OPTION 2	T/H 2.79	DUAL
68	75784-0344	OPTION 2	T/H 2.79	UNIVERSAL
68	75784-0345	OPTION 1	T/H 3.18	LEFT
68	75784-0346	OPTION 1	T/H 3.18	RIGHT
68	75784-0347	OPTION 1	T/H 3.18	DUAL
68	75784-0348	OPTION 1	T/H 3.18	UNIVERSAL
68	75784-0349	OPTION 2	T/H 3.18	LEFT
68	75784-0350	OPTION 2	T/H 3.18	RIGHT
68	75784-0352	OPTION 2	T/H 3.18	UNIVERSAL

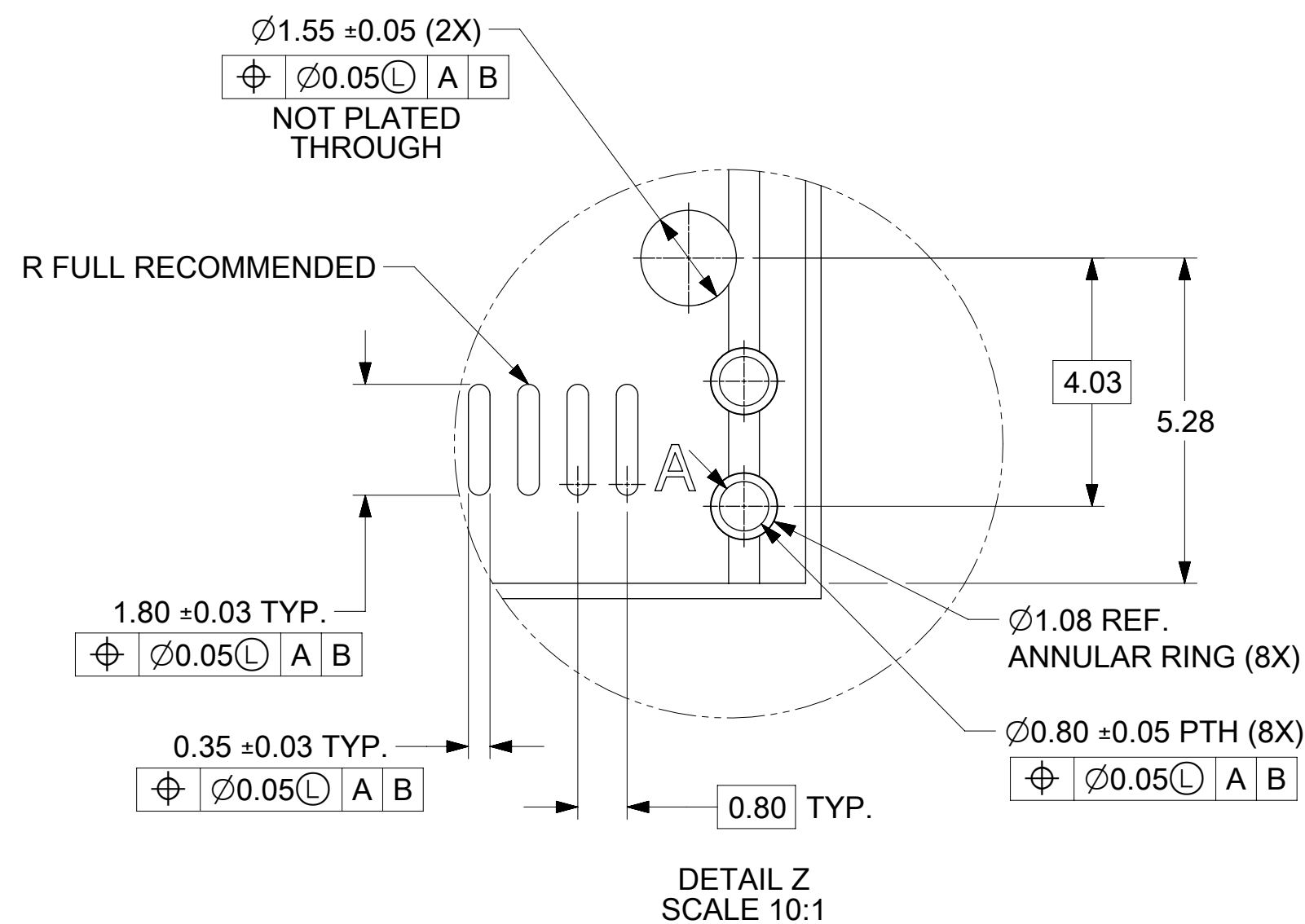
iPass™ IS A TRADEMARK OF MOLEX

SYMBOLS		THIS DRAWING CONTAINS INFORMATION THAT IS PROPRIETARY TO MOLEX ELECTRONIC TECHNOLOGIES, LLC AND SHOULD NOT BE USED WITHOUT WRITTEN PERMISSION		CURRENT REV DESC: MIGRATED TO NX			
▽ = 0	mm	SCALE	1:1	EC NO: 666196 DRWN: BBEGALIMADHU 2018/03/05 CHK'D: JKACHLIC 2021/06/21 APPR: JKACHLIC 2021/06/21			
GENERAL TOLERANCES (UNLESS SPECIFIED)		ANGULAR TOL ± 0.5°				INITIAL REVISION: DRWN: KLANG 2005/04/15 APPR: RNELSON 2005/04/18	
▽ = 0	4 PLACES ±	DRAFT WHERE APPLICABLE MUST REMAIN WITHIN DIMENSIONS		THIRD ANGLE PROJECTION			
▽ = 0	3 PLACES ±					DRAWING	
▽ = 0	2 PLACES ± 0.13	DRAFT WHERE APPLICABLE MUST REMAIN WITHIN DIMENSIONS		THIRD ANGLE PROJECTION		CUSTOMER	
▽ = 0	1 PLACE ± 0.25					C-SIZE	
▽ = 0	0 PLACES ±	DRAFT WHERE APPLICABLE MUST REMAIN WITHIN DIMENSIONS		THIRD ANGLE PROJECTION		SEE CHART	
▽ = 0	0 PLACES ±					GENERAL MARKET	

VERTICAL CONNECTOR WITH RETENTION FIT & THRU-HOLE SHELL PCB FOOT PRINT



36 CIRCUIT SHOWN



	PEG TO PEG	FIRST TO LAST PAD	CENTERLINE TO PAD	CENTERLINE TO PAD	SHELL PEG TO PEG	SHELL FOOTPRINT WIDTH
CIRCUIT SIZE	DIM 'A'	DIM 'B'	DIM 'C'	DIM 'D'	DIM 'E'	DIM 'F'
26	12.00	9.60	4.60	5.00	13.80	15.80
36	16.00	13.60	6.60	7.00	17.80	19.80
50	21.60	19.20	9.40	9.80	23.40	25.40
68	28.80	26.40	13.00	13.40	30.60	32.60

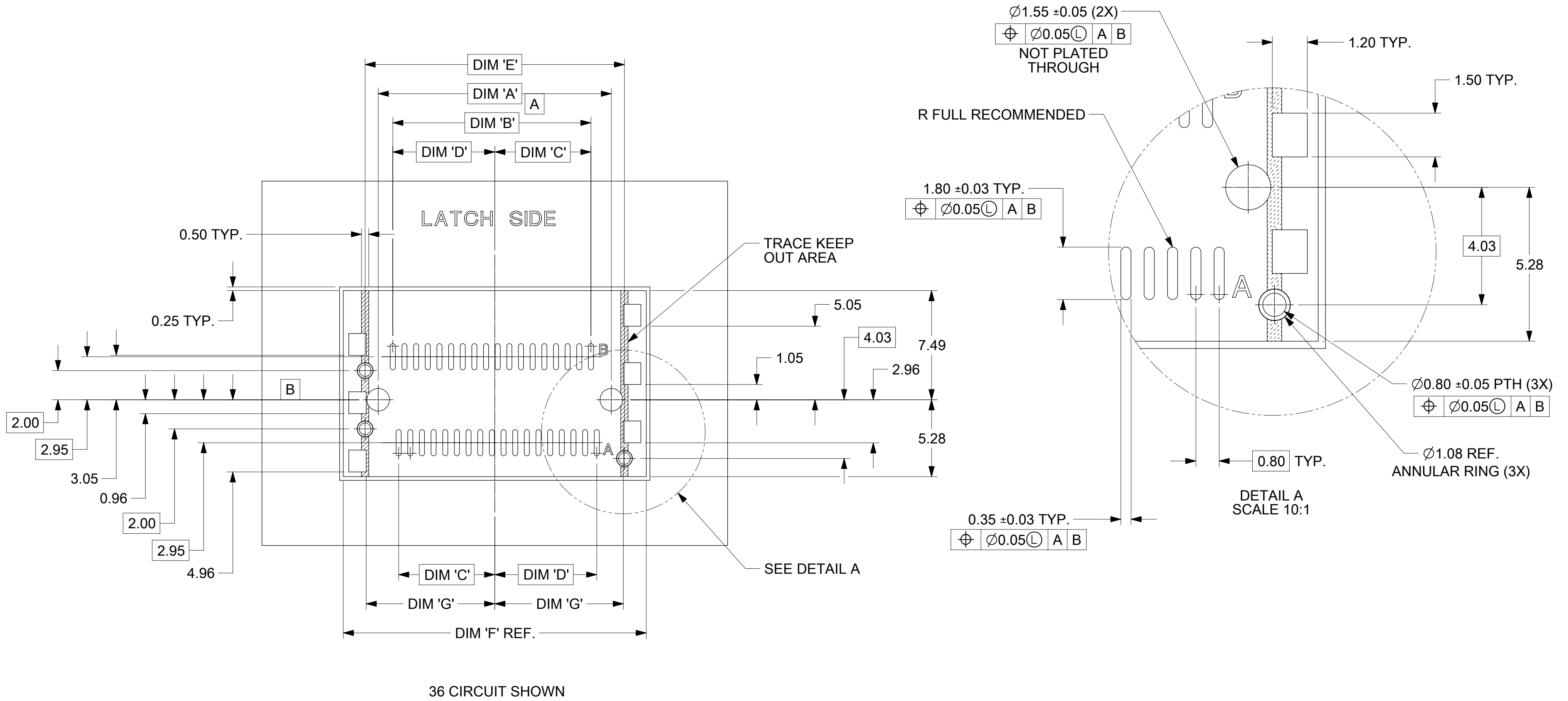
iPass™ IS A TRADEMARK OF MOLEX

SYMBOLS	THIS DRAWING CONTAINS INFORMATION THAT IS PROPRIETARY TO MOLEX ELECTRONIC TECHNOLOGIES, LLC AND SHOULD NOT BE USED WITHOUT WRITTEN PERMISSION		
DIMENSION UNITS	SCALE	CURRENT REV DESC: MIGRATED TO NX	
▽ = 0	mm	5:1	
▽ = 0	GENERAL TOLERANCES (UNLESS SPECIFIED)		
▽ = 0	ANGULAR TOL ± 0.5°		
▽ = 0	4 PLACES ±		
▽ = 0	3 PLACES ±		
▽ = 0	2 PLACES ± 0.13		
▽ = 0	1 PLACE ± 0.25		
▽ = 0	0 PLACES ±		
▽ = 0	DRAFT WHERE APPLICABLE MUST REMAIN WITHIN DIMENSIONS		
▽ = 0	THIRD ANGLE PROJECTION	DRAWING	SERIES
		C-SIZE	75784
	EC NO: 666196	DRWN: BBEGALIMADHU	2018/03/05
	CHK'D: JKACHLIC	APPR: JKACHLIC	2021/06/21
	INITIAL REVISION:	DRWN: KLANG	2005/04/15
		APPR: RNELSON	2005/04/18
	DOCUMENT NUMBER	DOC TYPE	DOC PART
	SD-75784-001	PSD	001
	MATERIAL NUMBER	CUSTOMER	SHEET NUMBER
	SEE CHART	GENERAL MARKET	9 OF 13

molex
I-PASS VERT CONNECTOR
INTERNAL ASSY W/SHELL 0.8MM PITCH I/O

PRODUCT CUSTOMER DRAWING

VERTICAL CONNECTOR WITH SMT SHELL PCB FOOT PRINT



	PEG TO PEG	FIRST TO LAST PAD	CENTERLINE TO PAD	CENTERLINE TO PAD	SHELL PEG TO PEG	SHELL FOOTPRINT WIDTH	CENTERLINE TO PAD EDGE
CIRCUIT SIZE	DIM 'A'	DIM 'B'	DIM 'C'	DIM 'D'	DIM 'E'	DIM 'F'	DIM 'G'
26	12.00	9.60	4.60	5.00	13.80	16.80	6.825
36	16.00	13.60	6.60	7.00	17.80	20.80	8.825
50	21.60	19.20	9.40	9.80	23.40	26.40	11.625
68	28.80	26.40	13.00	13.40	30.60	33.60	15.225

iPass™ IS A TRADEMARK OF MOLEX

SYMBOLS ▽ = 0 ▽ = 0 ▽ = 0 ▽ = 0 ▽ = 0 ▽ = 0 ▽ = 0 ▽ = 0 ▽ = 0 ▽ = 0 ▽ = 0 ▽ = 0	THIS DRAWING CONTAINS INFORMATION THAT IS PROPRIETARY TO MOLEX ELECTRONIC TECHNOLOGIES, LLC AND SHOULD NOT BE USED WITHOUT WRITTEN PERMISSION	DIMENSION UNITS: mm SCALE: 5:1	CURRENT REV DESC: MIGRATED TO NX		I-PASS VERT CONNECTOR INTERNAL ASSY W/SHELL 0.8MM PITCH I/O	
	GENERAL TOLERANCES (UNLESS SPECIFIED) ANGULAR TOL ± 0.5°		EC NO: 666196 DRWN: BBEGALIMADHU 2018/03/05 CHK'D: JKACHLIC 2021/06/21 APPR: JKACHLIC 2021/06/21			
	4 PLACES ± 3 PLACES ± 2 PLACES ± 0.13 1 PLACE ± 0.25 0 PLACES ±		INITIAL REVISION: DRWN: KLANG 2005/04/15 APPR: RNELSON 2005/04/18			
	DRAFT WHERE APPLICABLE MUST REMAIN WITHIN DIMENSIONS		THIRD ANGLE PROJECTION 			
DOCUMENT NUMBER: SD-75784-001		DOC TYPE: PSD DOC PART: 001 REVISION: D5		PRODUCT CUSTOMER DRAWING		
MATERIAL NUMBER: SEE CHART		CUSTOMER: GENERAL MARKET				SHEET NUMBER: 10 OF 13

VERTICAL CONNECTOR WITH SHELL PCB FOOT PRINT DESCRIPTIONS



iPass™ IS A TRADEMARK OF MOLEX

THIS DRAWING CONTAINS INFORMATION THAT IS PROPRIETARY TO MOLEX ELECTRONIC TECHNOLOGIES, LLC AND SHOULD NOT BE USED WITHOUT WRITTEN PERMISSION									
SYMBOLS	DIMENSION UNITS	SCALE	CURRENT REV DESC: MIGRATED TO NX						
▽ = 0	mm	5:1	EC NO: 666196 DRWN: BBEGALIMADHU 2018/03/05 CHK'D: JKACHLIC 2021/06/21 APPR: JKACHLIC 2021/06/21 INITIAL REVISION: DRWN: KLANG 2005/04/15 APPR: RNELSON 2005/04/18						
▽ = 0	GENERAL TOLERANCES (UNLESS SPECIFIED)								
▽ = 0	ANGULAR TOL ± 0.5°								
▽ = 0	4 PLACES ±								
▽ = 0	3 PLACES ±		PRODUCT CUSTOMER DRAWING DOCUMENT NUMBER: SD-75784-001 DOC TYPE: PSD DOC PART: 001 REVISION: D5						
▽ = 0	2 PLACES ± 0.13								
▽ = 0	1 PLACE ± 0.25		MATERIAL NUMBER: SEE CHART CUSTOMER: GENERAL MARKET SHEET NUMBER: 11 OF 13						
▽ = 0	0 PLACES ±								
▽ = 0	DRAFT WHERE APPLICABLE MUST REMAIN WITHIN DIMENSIONS		THIRD ANGLE PROJECTION	DRAWING	SERIES	C-SIZE 75784			

molex

I-PASS VERT CONNECTOR
INTERNAL ASSY W/SHELL 0.8MM PITCH I/O

PRODUCT CUSTOMER DRAWING

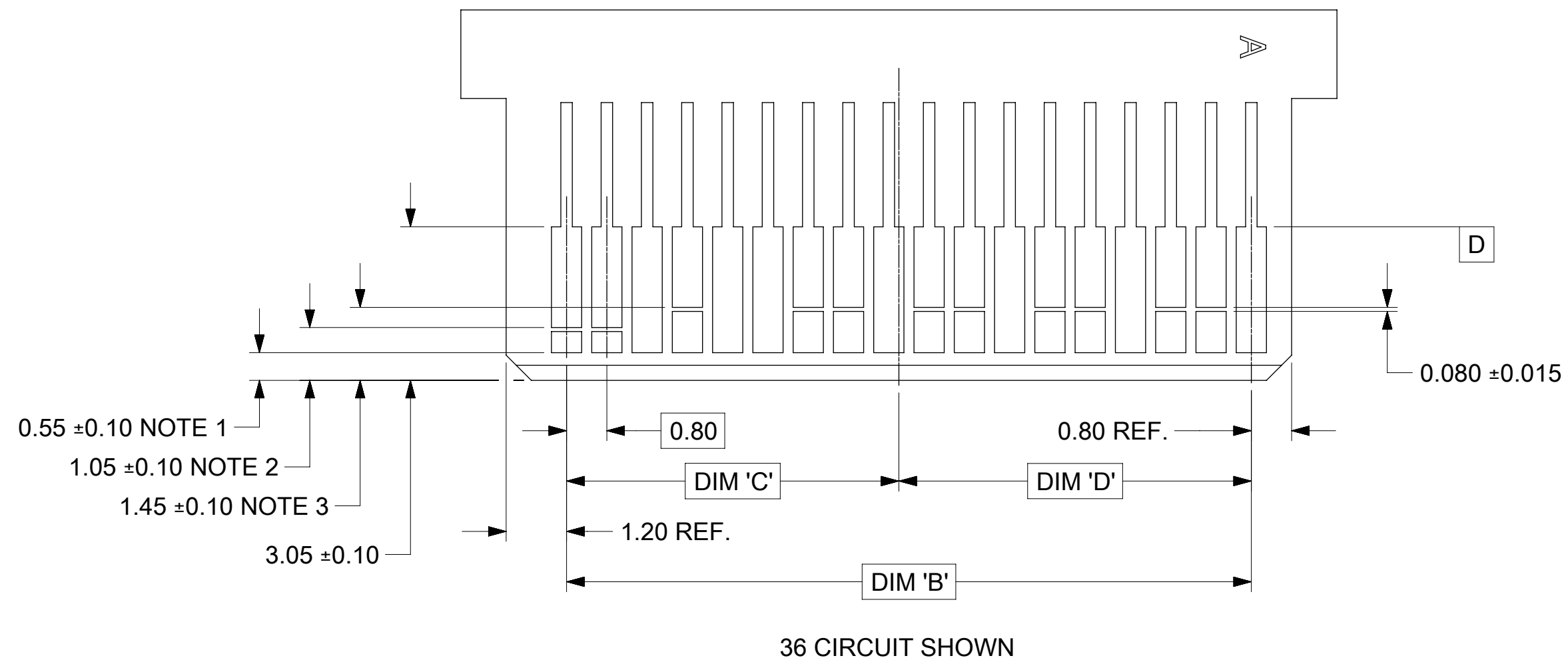
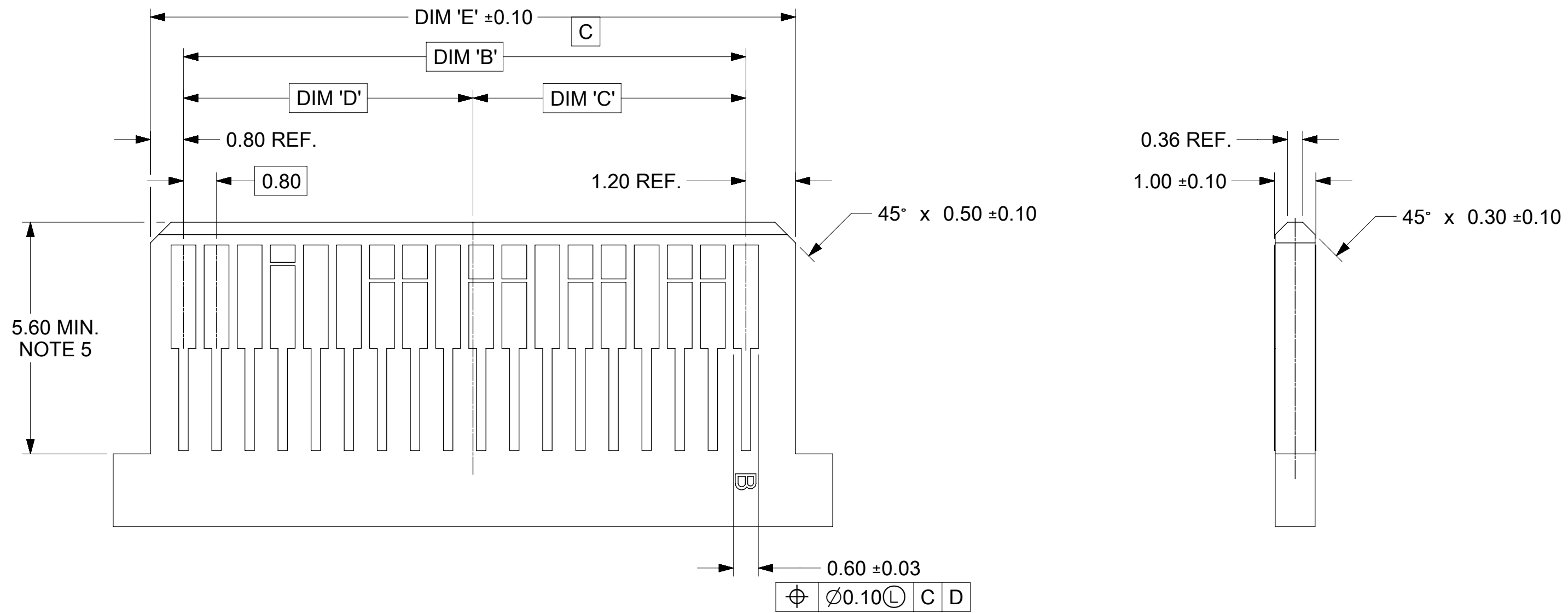
SD-75784-001

PSD 001 D5

SEE CHART GENERAL MARKET 11 OF 13

DOCUMENT STATUS	P1	RELEASE DATE	2021/06/21	03:48:56
-----------------	----	--------------	------------	----------

MATING INTERFACE (FOR REFERENCE ONLY)



- NOTES:
- PAD CONFIGURATION FOR FIRST MATE.
 - PAD CONFIGURATION FOR SECOND MATE.
 - PAD CONFIGURATION FOR THIRD MATE. (HIGH SPEED SIGNALS)
 - FOR PIN ASSIGNMENTS AND MATING SEQUENCE (1ST, 2ND, 3RD), SEE APPLICABLE SPECIFICATION.
 - MINIMUM STEP REQUIRED IF PCB MADE WIDER THAN TONGUE.

iPass™ IS A TRADEMARK OF MOLEX


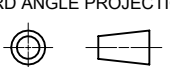
CIRCUIT SIZE	TERM/SIDE 'N'	DIM 'B'	DIM 'C'	DIM 'D'	DIM 'E'
26	13	9.60	4.60	5.00	11.60
36	18	13.60	6.60	7.00	15.60
50	25	19.20	9.40	9.80	21.20
68	34	26.40	13.00	13.40	28.40

SYMBOLS		THIS DRAWING CONTAINS INFORMATION THAT IS PROPRIETARY TO MOLEX ELECTRONIC TECHNOLOGIES, LLC AND SHOULD NOT BE USED WITHOUT WRITTEN PERMISSION		CURRENT REV DESC: MIGRATED TO NX	
▽ = 0	DIMENSION UNITS	SCALE	mm 1:1		
▽ = 0	GENERAL TOLERANCES (UNLESS SPECIFIED)		EC NO: 666196		
▽ = 0	ANGULAR TOL ± 0.5°		DRWN: BBEGALIMADHU	2018/03/05	
▽ = 0	4 PLACES ±		CHK'D: JKACHLIC	2021/06/21	
▽ = 0	3 PLACES ±		APPR: JKACHLIC	2021/06/21	
▽ = 0	2 PLACES ± 0.13		INITIAL REVISION:		
▽ = 0	1 PLACE ± 0.25		DRWN: KLANG	2005/04/15	
▽ = 0	0 PLACES ±		APPR: RNELSON	2005/04/18	
▽ = 0	DRAFT WHERE APPLICABLE MUST REMAIN WITHIN DIMENSIONS		THIRD ANGLE PROJECTION	DRAWING	SERIES
▽ = 0				C-SIZE	75784
DOCUMENT STATUS		DOC TYPE	DOC PART	REVISION	
P1	RELEASE DATE	PSD	001	D5	
2021/06/21	03:48:56	SEE CHART	GENERAL MARKET	12 OF 13	
MATERIAL NUMBER		CUSTOMER		SHEET NUMBER	
SD-75784-001		GENERAL MARKET		12 OF 13	

REVISION DESCRIPTION

REV	DATE	DESCRIPTION
D5	2019/4/17	DRAWING MIGRATION TO ECTR

H
G
F
E
D
C
B
A

FUNCTIONAL SYMBOLS	THIS DRAWING CONTAINS INFORMATION THAT IS PROPRIETARY TO MOLEX ELECTRONIC TECHNOLOGIES, LLC AND SHOULD NOT BE USED WITHOUT WRITTEN PERMISSION										
	DIMENSION UNITS	SCALE	CURRENT REV DESC: MIGRATED TO NX								
$\frac{F}{A} = 0$	mm	1:1	EC NO: 666196								
$\frac{F}{C} = 0$	GENERAL TOLERANCES (UNLESS SPECIFIED)		DRWN: BBEGALIMADHU 2018/03/05							DOC TYPE	
$\frac{F}{P} = 0$	ANGULAR TOL $\pm 0.5^\circ$		CHK'D: JKACHLIC 2021/06/21							DOC PART	
DIVISIONAL SYMBOLS	4 PLACES \pm		APPR: JKACHLIC 2021/06/21							REVISION	
	3 PLACES \pm		INITIAL REVISION:							SD-75784-001	
	2 PLACES ± 0.13		DRWN: KLANG 2005/04/15							PSD	
	1 PLACE ± 0.25		APPR: RNELSON 2005/04/18							001	
0 PLACES \pm		DRAFT WHERE APPLICABLE MUST REMAIN WITHIN DIMENSIONS		THIRD ANGLE PROJECTION		DRAWING	SERIES	MATERIAL NUMBER	CUSTOMER	SHEET NUMBER	
						C-SIZE	75784	SEE CHART	GENERAL MARKET	13 OF 13	