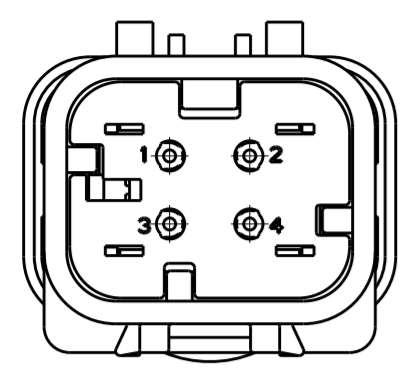
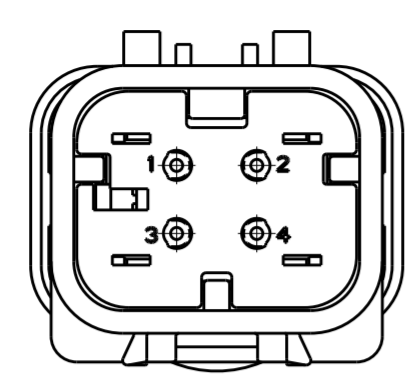


THIS DRAWING IS UNPUBLISHED  
 RELEASED FOR PUBLICATION  
 COPYRIGHT 20 BY - ALL RIGHTS RESERVED.

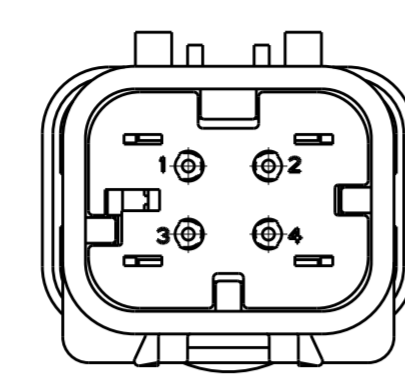
REVISIONS					
P	LTR	DESCRIPTION	DATE	DWN	APVD
	C	REVISED PER ECO-13-019168	05DEC2013	DR	RB



776536-2  
SCALE 2:1



776536-3  
SCALE 2:1



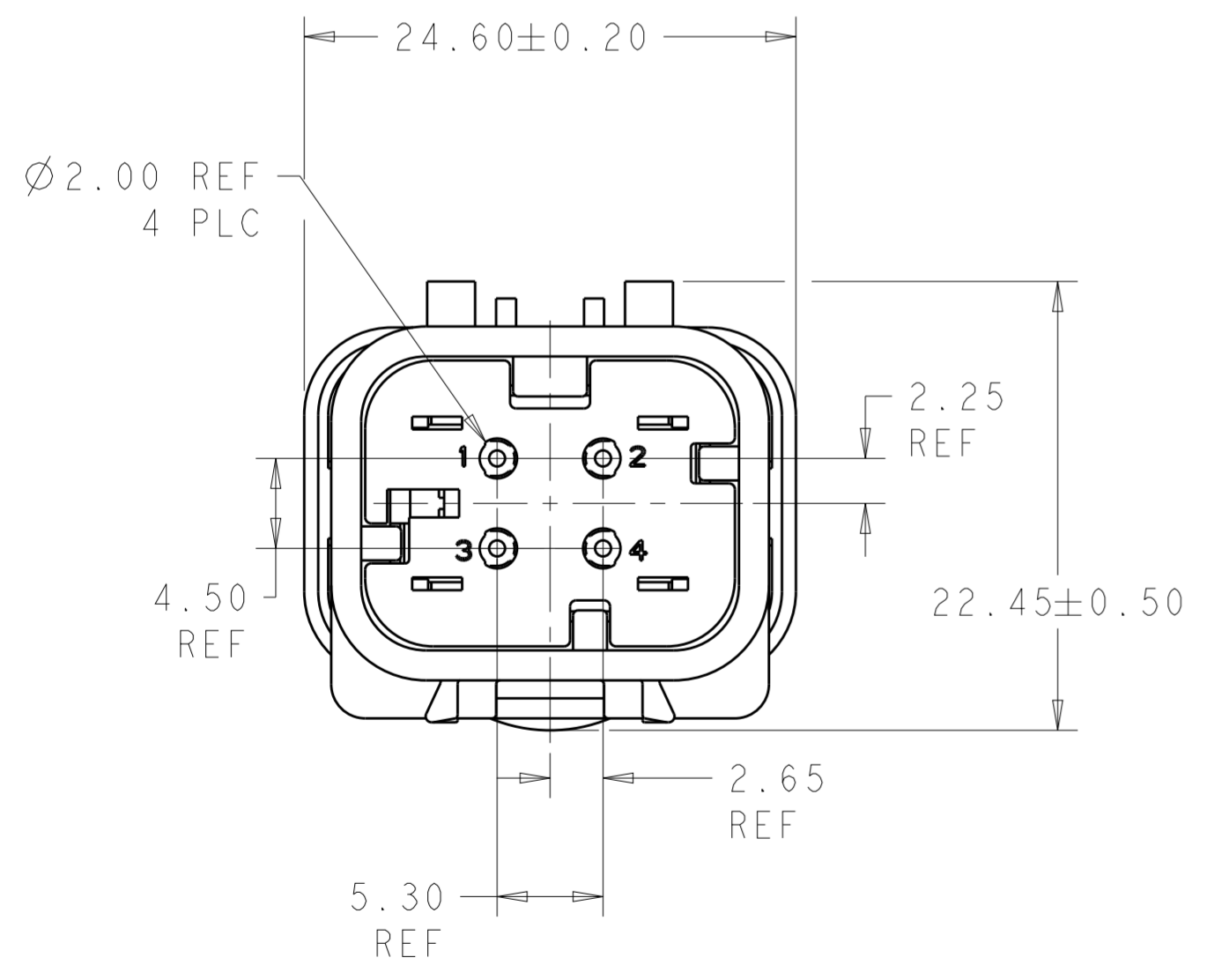
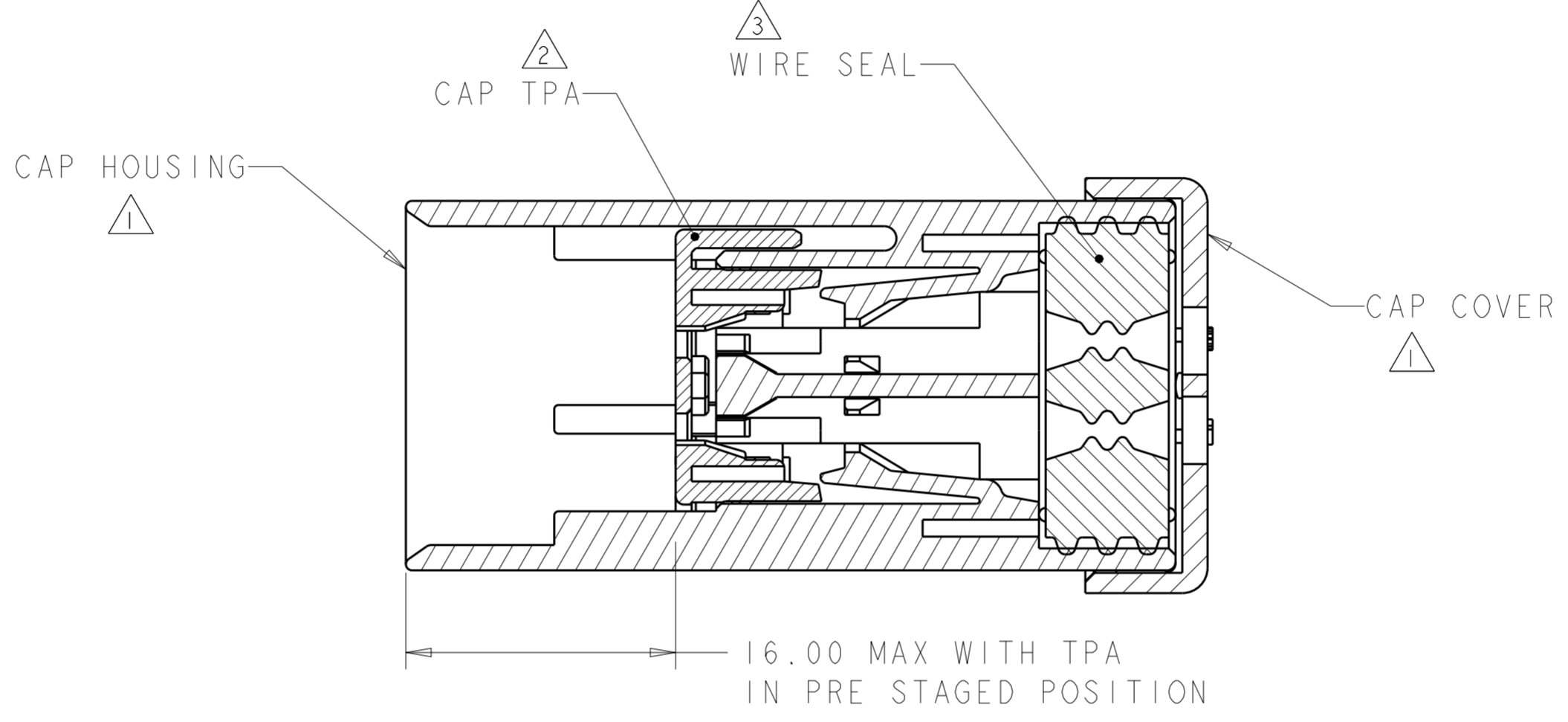
776536-4  
SCALE 2:1

1 MATERIAL: 15% GLASS FILLED THERMOPLASTIC  
 COLOR: BLACK

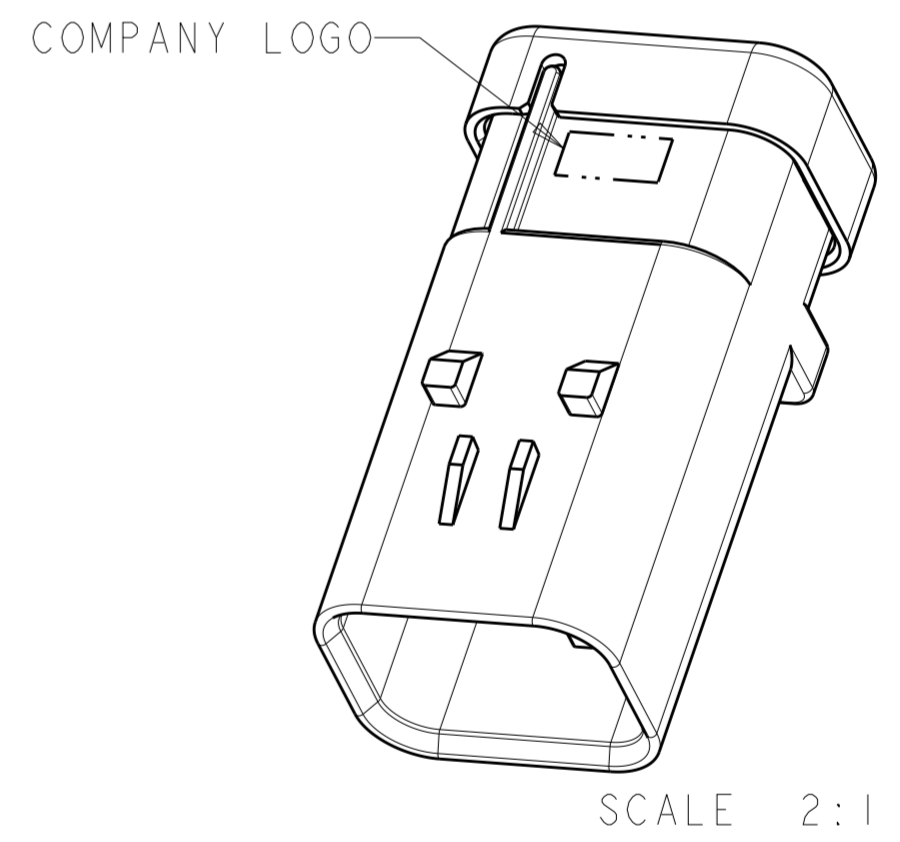
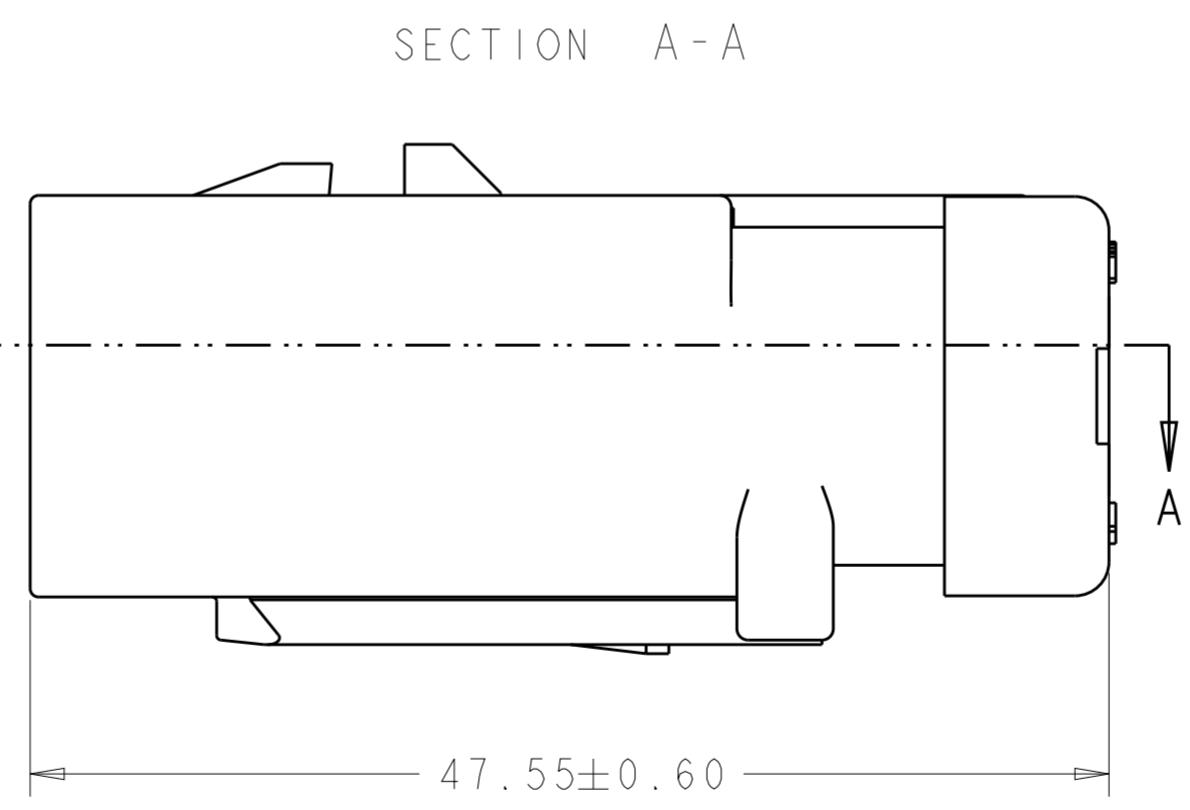
2 MATERIAL: 15% GLASS FILLED THERMOPLASTIC  
 COLOR: (SEE TABLE)

3 MATERIAL: SILICONE  
 COLOR: RUST

4. RECOMMENDED WIRE DIAMETER RANGE IS 1.30 TO 2.54mm



776536-1 SHOWN



GREEN	776536-4
YELLOW	776536-3
GRAY	776536-2
RED	776536-1
TPA COLOR	PART NUMBER

THIS DRAWING IS A CONTROLLED DOCUMENT.

DIMENSIONS: mm	TOLERANCES UNLESS OTHERWISE SPECIFIED: 0 PLC ± 1 PLC ± 2 PLC ± 3 PLC ± 4 PLC ± ANGLES ± FINISH	DWN W. HOELSCHER 04SEP03	NAME <b>STE</b> TE Connectivity
		CHK J. PATTERSON 04SEP03	
		APVD D. KLEIN 04SEP03	APPLICATION SPEC 114-13065
MATERIAL		WEIGHT 14	SIZE A200779 CAGE CODE C-776536
		Customer Drawing	RESTRICTED TO SCALE 3:1 SHEET 1 OF 1 REV C