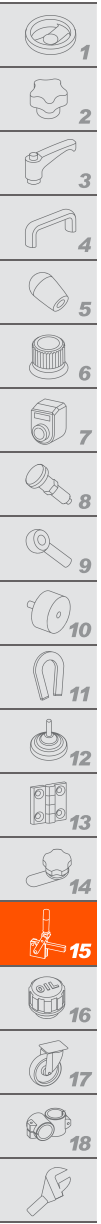


# MTB. | Latch clamps

with safety stop, steel



## MATERIAL

C10 zinc-plated steel.

## RIVETS

Zinc-plated steel.

## HANDLE

Polyurethane, red colour.

## STANDARD EXECUTIONS

- **MTB.T5**: without tie rod.
- **MTB.T5-TG**: with eyelet tie rod.
- **MTB.T5-TT**: with T tie rod
- **MTB.T5-TU**: with hook tie rod.

## FEATURES AND APPLICATIONS

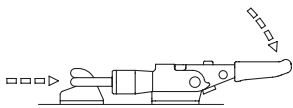
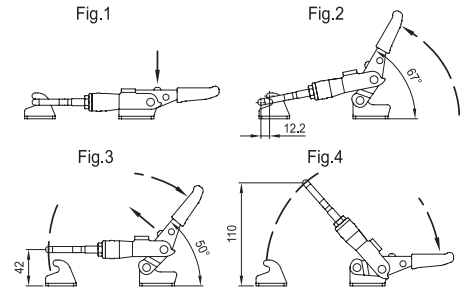
All articulated joints are lubricated with special grease.

MTB. latch clamps are particularly suitable for equipment and applications with strong vibration stresses where it is required to assure the holding of the clamp engagement against accidental opening.

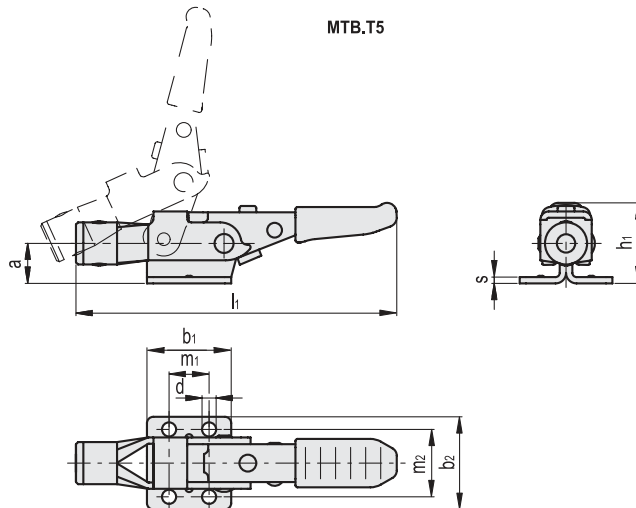
By disengaging the safety device, pushing the slider (fig. 1) and using the handle, the clamp opens (fig. 2). By disengaging the safety device (fig. 3) and moving the control lever in the opposite direction (fig. 4), the result is the complete disengagement of the body of the clamp and the clamping plate.

To re-engage the clamp, it is necessary to proceed in the opposite way. All these engaging and disengaging operations can be done by using one hand only, since in its movement the eyelet follows the lever.

The engaging position can be length-regulated in order to suit better the application by means of a threaded eyelet, locked in place by a locking nut.



MTB.T5



METRIC

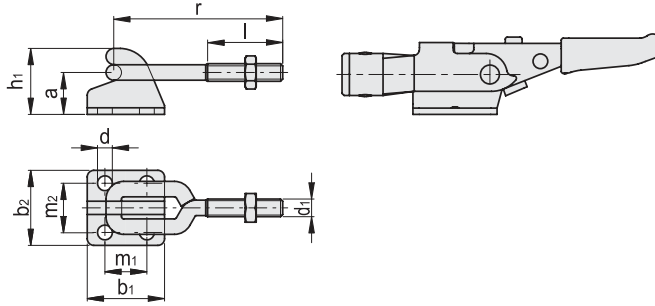
## MTB.T5

Code	Description	a	b1	b2	d	h1	l1	m1	m2	s	FH [N]*	⚖
GG.AL575	MTB.160-T5	13	26	28	4.5	26.8	103	16	19	2	1750	100
GG.AL580	MTB.320-T5	19	40	44	6.7	38.5	153	19	32	3	4000	295
GG.AL585	MTB.700-T5	28	60	54	8.5	53	222	41.5	38.1	3.5	7500	690

\* Holding force.

Toggle clamps

MTB.T5-TG

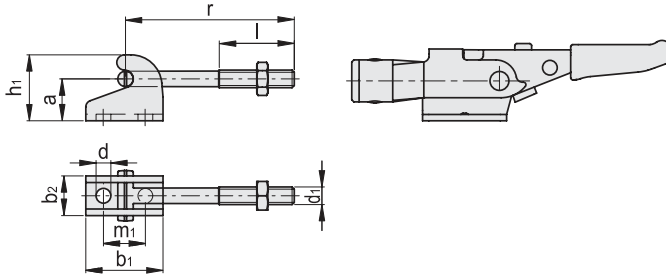


MTB.T5-TG

METRIC

Code	Description	a	b1	b2	d	d1	h1	l	m1	m2	r	$\Delta$
GG.AL576	MTB.160-T5-TG	13	26	23	4.5	M6	19.8	28	16	14.3	55.5	100
GG.AL581	MTB.320-T5-TG	19	35	34	6.7	M8	30	34	19	22.3	76.5	295
GG.AL586	MTB.700-T5-TG	28	50	41	8.5	M10	40.5	42	31	25.4	95.5	690

MTB.T5-TT

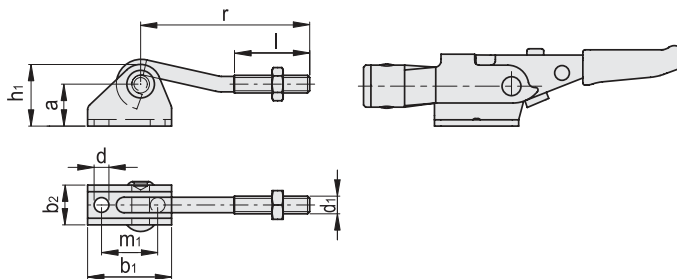


MTB.T5-TT

METRIC

Code	Description	a	b1	b2	d	d1	h1	l	m1	r
GG.AL578	MTB.160-T5-TT	13	26	14	4.5	M6	20	28	16	55
GG.AL583	MTB.320-T5-TT	19	35	18	6.7	M8	30	34	19	76.5
GG.AL588	MTB.700-T5-TT	28	50	26	8.5	M10	40.5	42	31	93

MTB.T5-TU



MTB.T5-TU

METRIC

Code	Description	a	b1	b2	d	d1	h1	l	m1	r
GG.AL577	MTB.160-T5-TU	13	35	14	4.5	M6	20.4	28	25.4	54.5
GG.AL582	MTB.320-T5-TU	19	38	18	6.7	M8	28	34	25.4	76.25
GG.AL587	MTB.700-T5-TU	28	50	26	8.5	M10	39	42	31	92.75

\* Holding force.



Models all rights reserved in accordance with the law. Always mention the source when reproducing our drawings and photos.

