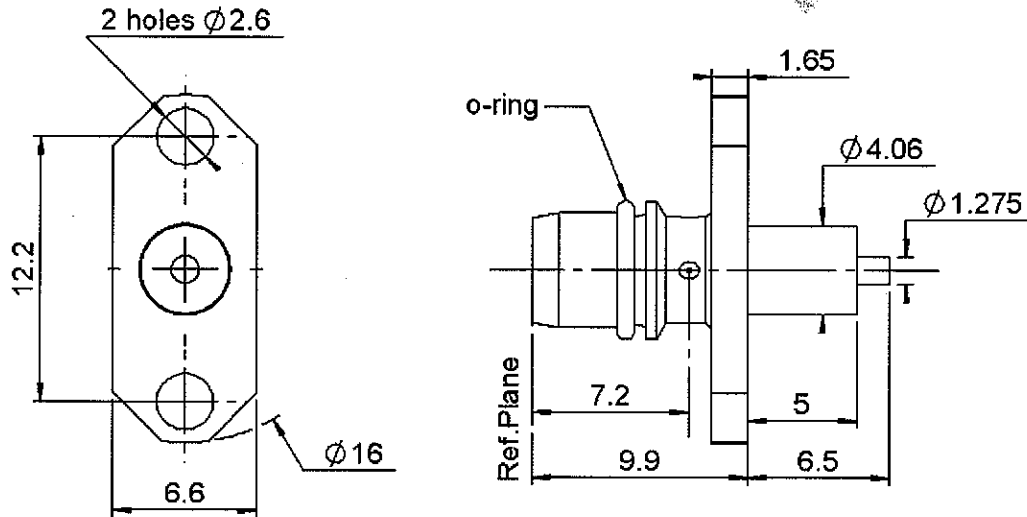


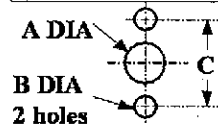
**TWO HOLE FLANGE RECEPTACLE  
WITH CYLINDRICAL CONTACT**

**R128.474.847**

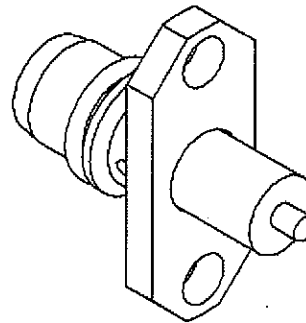
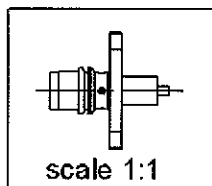
Series : **BMA-COM**



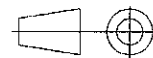
**PANEL CUT OUT**



	mm	
	Maxi	mini
A	4.2	4.1
B	2.65	2.6
C	12.25	12.15



All dimensions are in mm.



COMPONENTS	MATERIALS	PLATING ( $\mu\text{m}$ )
BODY	BRASS	BBR 2
CENTER CONTACT	BRASS	GOLD 1.3 OVER COPPER 2.5
OUTER CONTACT		.
INSULATOR	PTFE	.
GASKET	SILICONE RUBBER	.
OTHERS PARTS		.
.	.	.
.	.	.

Issue : 0836 A

In the effort to improve our products, we reserve the right to make changes judged to be necessary.



**RADIALL**®

**TWO HOLE FLANGE RECEPTACLE  
WITH CYLINDRICAL CONTACT**

**R128.474.847**

Series : **BMA-COM**

ORIGINAL

**PACKAGING**

**SPECIFICATION**

Standard	Unit	Other
<b>100</b>	<b>'W' option</b>	<b>Contact us</b>

**ELECTRICAL CHARACTERISTICS**

**ENVIRONMENTAL**

Impedance	<b>50</b>	$\Omega$
Frequency	<b>0-18</b>	GHz
VSWR	<b>1.1 + 0.0050</b>	x F(GHz) Maxi
Insertion loss	<b>0.07</b>	$\sqrt{F}$ (GHz) dB Maxi
RF leakage	- ( <b>100</b> )	- F(GHz) dB Maxi
Voltage rating	<b>500</b>	Veff Maxi
Dielectric withstanding voltage	<b>1000</b>	Veff mini
Insulation resistance	<b>5000</b>	M $\Omega$ mini

Operating temperature	<b>-65/+125</b>	$^{\circ}$ C
Hermetic seal	<b>NA</b>	Atm.cm <sup>3</sup> /s
Panel leakage	<b>NA</b>	

**OTHER CHARACTERISTICS**

Assembly instruction **NA**

Others :

**MECHANICAL CHARACTERISTICS**

Center contact retention		
Axial force – Mating end	<b>27</b>	N mini
Axial force – Opposite end	<b>27</b>	N mini
Torque	<b>2.8</b>	N.cm mini
Recommended torque		
Mating	<b>NA</b>	N.cm
Panel nut	<b>NA</b>	N.cm
Mating life	<b>500</b>	Cycles mini
Weight	<b>2.0580</b>	g

Issue : 0836 A

In the effort to improve our products, we reserve the right to make changes judged to be necessary.

