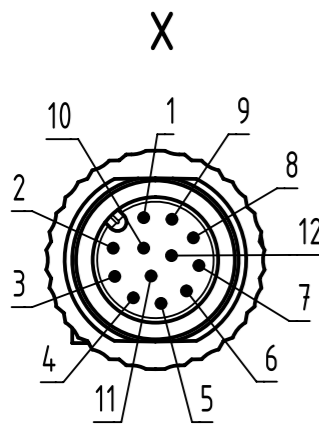
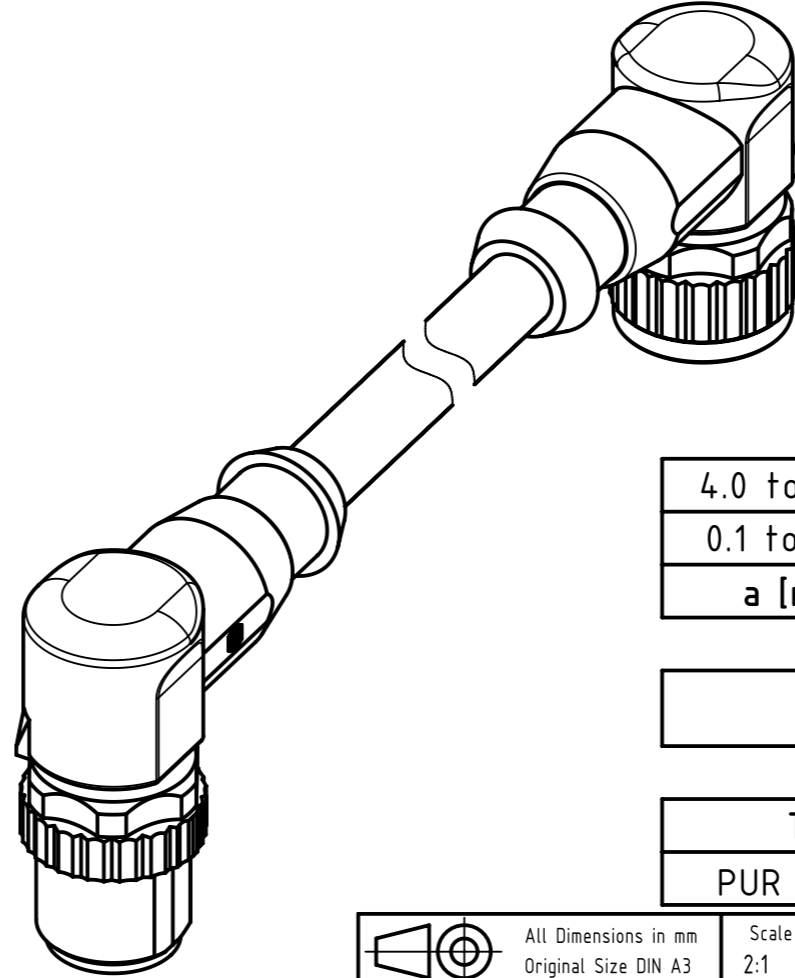
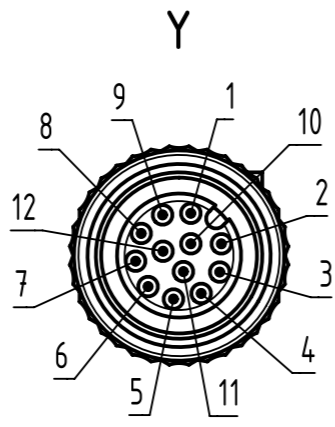


**Loading-Plan:**



- 1 brown 1
- 2 blue 2
- 3 white 3
- 4 green 4
- 5 pink 5
- 6 yellow 6
- 7 black 7
- 8 grey 8
- 9 red 9
- 10 violet 10
- 11 grey-pink 11
- 12 red-blue 12



4.0 to 100	+1%
0.1 to 3.9	+0.04
<b>a [m]</b>	<b>Tolerance</b>

length in "1m" step	100	XXX=000
	99	XXX=990
	.	.
	12	XXX=120
length in "0.1m" step	11	XXX=110
	10	XXX=100
	9.9	XXX=099
	9.8	XXX=098
	.	.
	0.4	XXX=004
	0.3	XXX=003
	0.2	XXX=002
	0.1	XXX=001
<b>Step</b>	<b>a [m]</b>	<b>XXX</b>

**Part no.** 21348687CXXXXX

**Type of cable** XX  
 PUR black, 12x0.14mm<sup>2</sup> XX=78

- Protection level: IP67  
 - Temperature range: -30°C ... +80°C

	All rights reserved		Scale 2:1		Free size tol.		Ref.	
	Department EC PD - RO		Created by TAMAS	Inspected by STOICA	Standardisation HOFFMANN	Date 2014-08-25	State Final Release	
HARTING Electronics GmbH		Title M12 A-coded Cable Assembly				Doc-Key / ECM-Nr. 100591328/UGD/009/A 50000079105		
D-32339 Espelkamp		Type TB	Number 21348687CXXXXXX			Rev. A	Page 1/1	