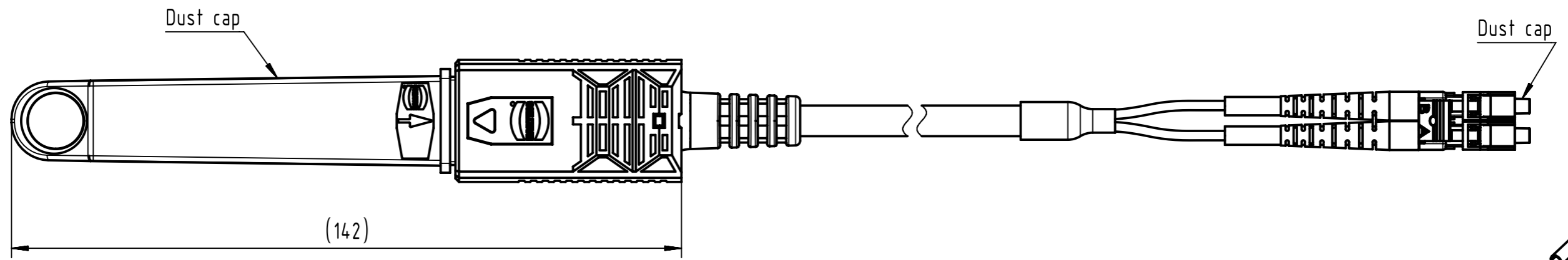
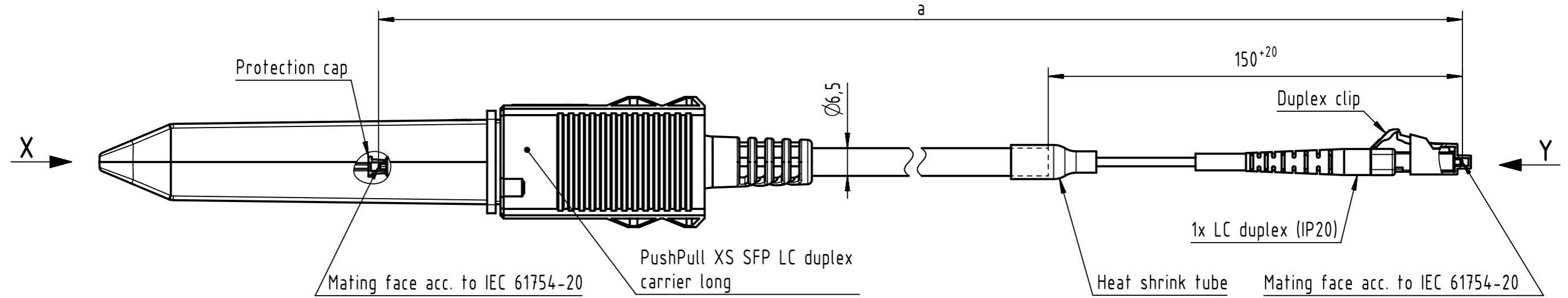


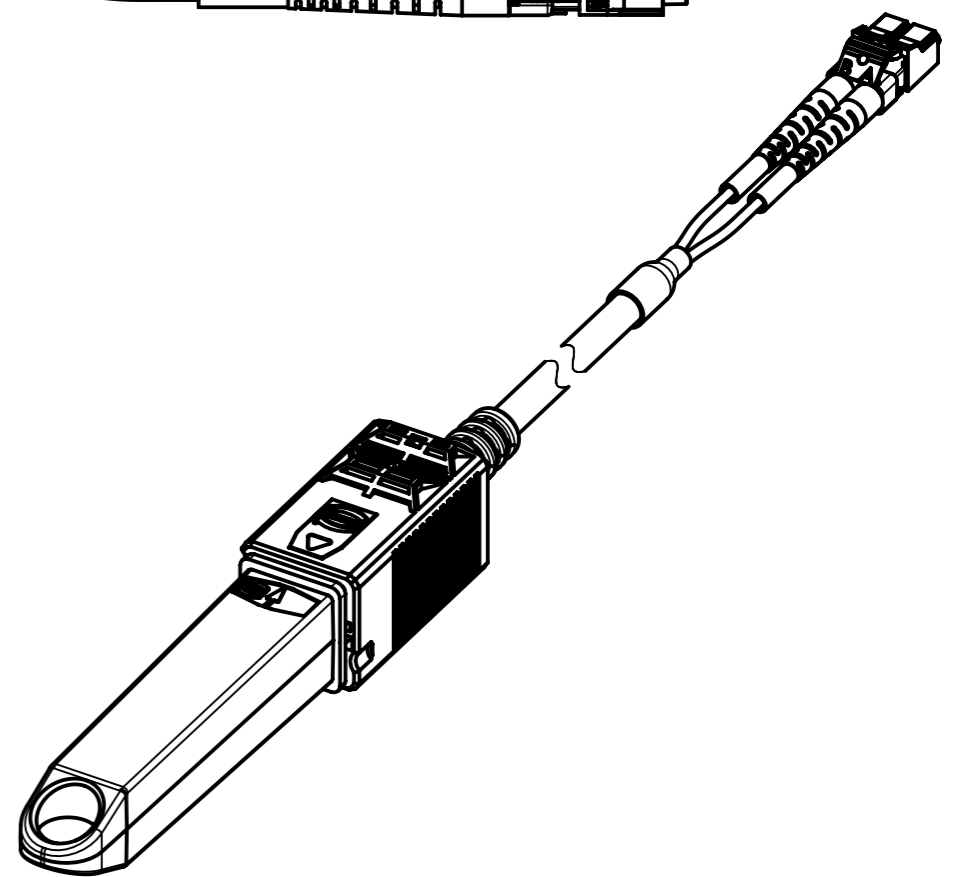
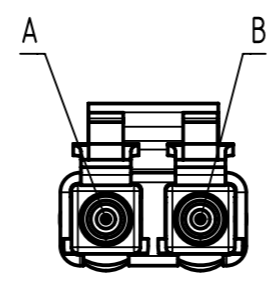
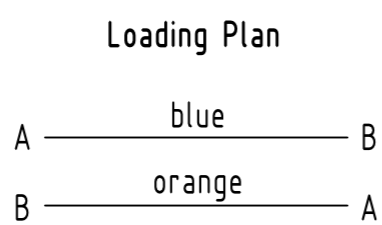
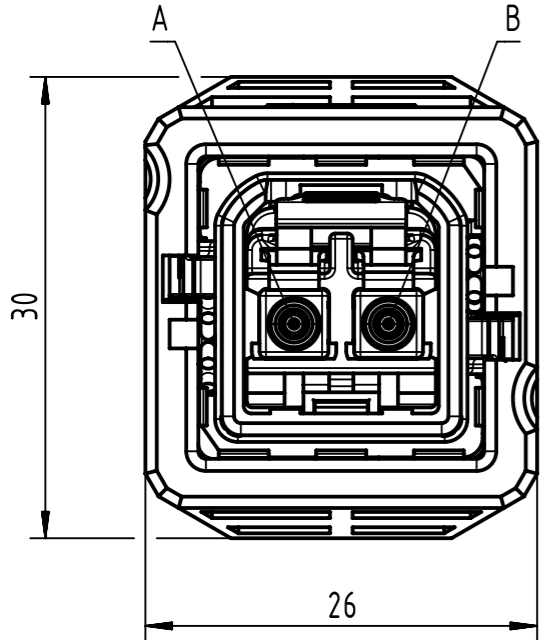
Connector Location A

Connector Location B



X
male
(without dust cap and protection cap)


Y
male
(without dust cap)



Further information see DS 33265100000

	All rights reserved	Created by 402676 Gross	Inspected by 402676 Gross	Standardisation COSTEA Costea	Date 2022-08-31	State Final Release
	Department HCS - RO	Title PP XS LCdx Lg - LCdx, SM Assy		Doc-Key / ECM-Nr. 100572207/UGD/037/G 50000219506		
HARTING Customised Solutions D-32339 Espelkamp		Type TB	Number 332623XXXX0016		Rev. G	Page 1/2

1	2	3	4	5	6	7	8
A							
B							
	28	33262311000016	F0 Cable, 2-channel, SM, 9/125µm, PUR, black	100	±1%		
	27	33262310900016		90			
	26	33262310800016		80			
	25	33262310700016		70			
	24	33262310600016		60			
	23	33262310500016		50			
C	22	33262310450016		45			
	21	33262310400016		40			
	20	33262310350016		35			
	19	33262310300016		30			
	18	33262310250016		25			
	17	33262310200016		20			
	16	33262310150016		15			
D	15	33262310140016		14			
	14	33262310130016		13			
	13	33262310120016		12			
	12	33262310110016		11			
	11	33262310100016		10			
	10	33262310090016		9			
	9	33262310080016		8			
E	8	33262310070016		7			
	7	33262310060016		6			
	6	33262310050016		5			
	5	33262310040016		4			
	4	33262310030016		3			
	3	33262310020016		2			
	2	33262310010016		1			
	1	33262330500016		0.5			
F	Cont. no.	Part no.	Type of cable	Dim. a[m]	±0.03		

	All rights reserved Department HCS - RO	Created by 402676 Gross	Inspected by 402676 Gross	Standardisation COSTEA Costea	Date 2022-08-31	State Final Release	Doc-Key / ECM-Nr. 100572207/UGD/037/G 500000219506
HARTING Customised Solutions D-32339 Espelkamp		Title PP XS LCdx Lg - LCdx, SM Assy		Number 332623XXXX0016		Rev. G	Page 2/2