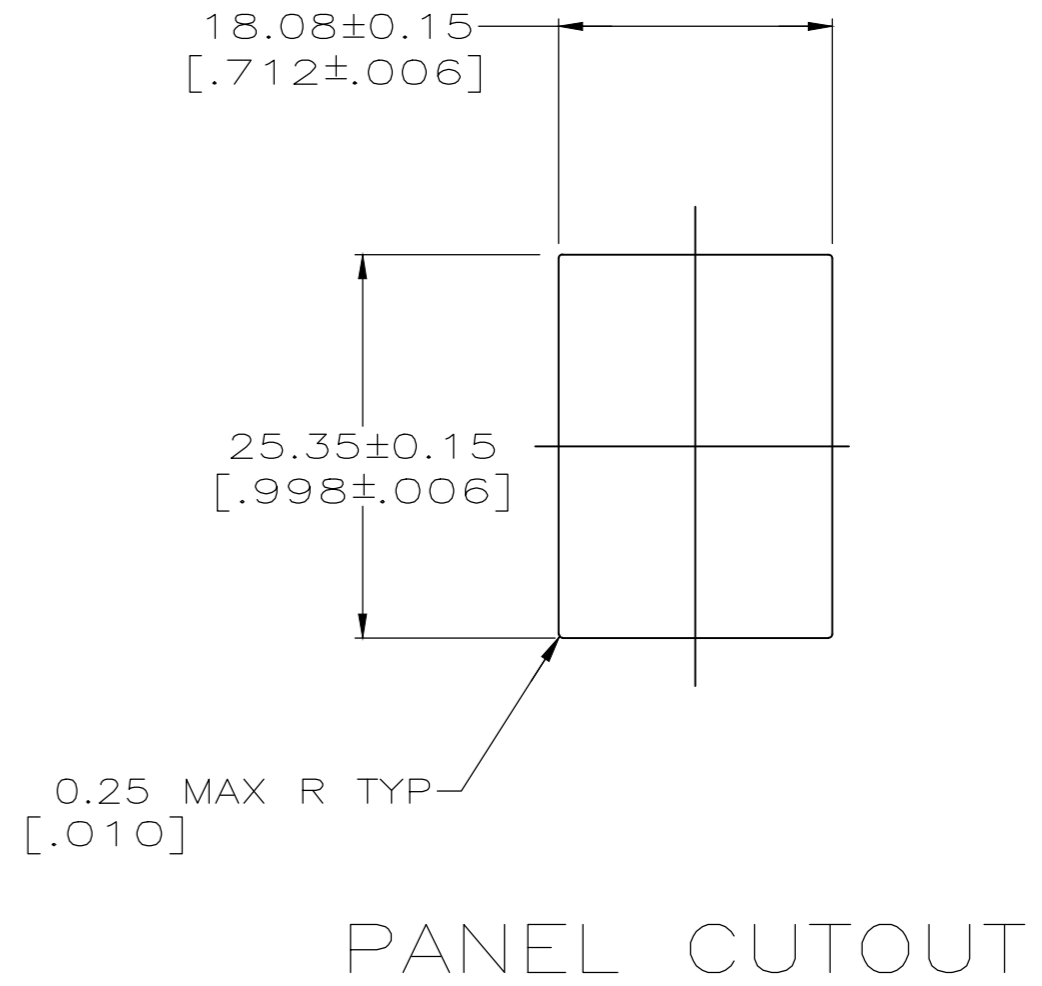
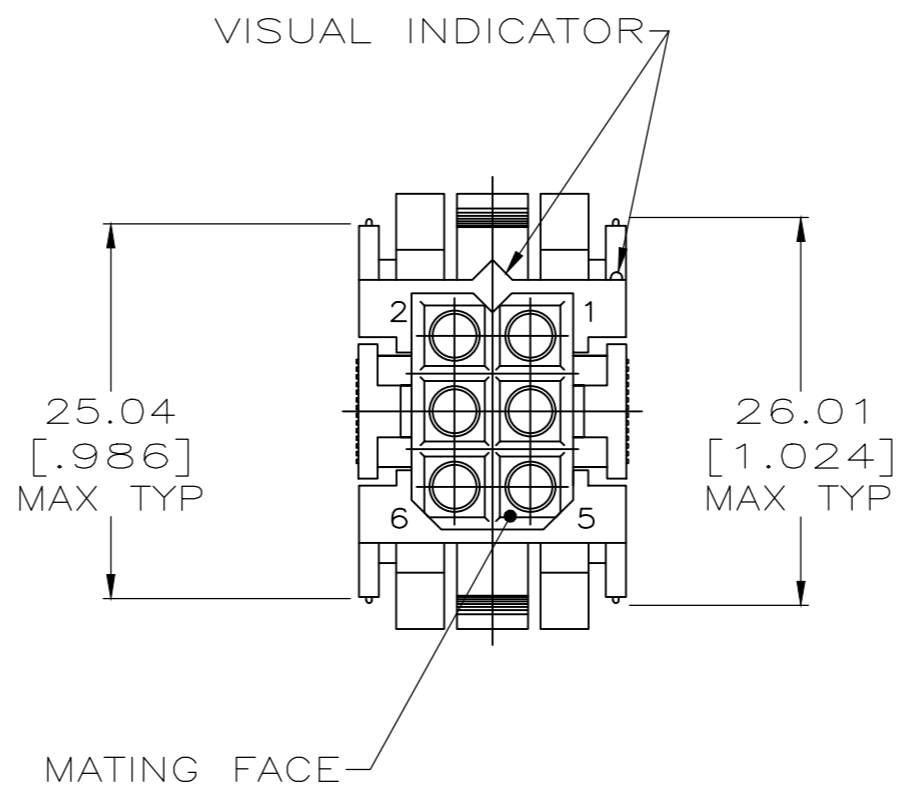
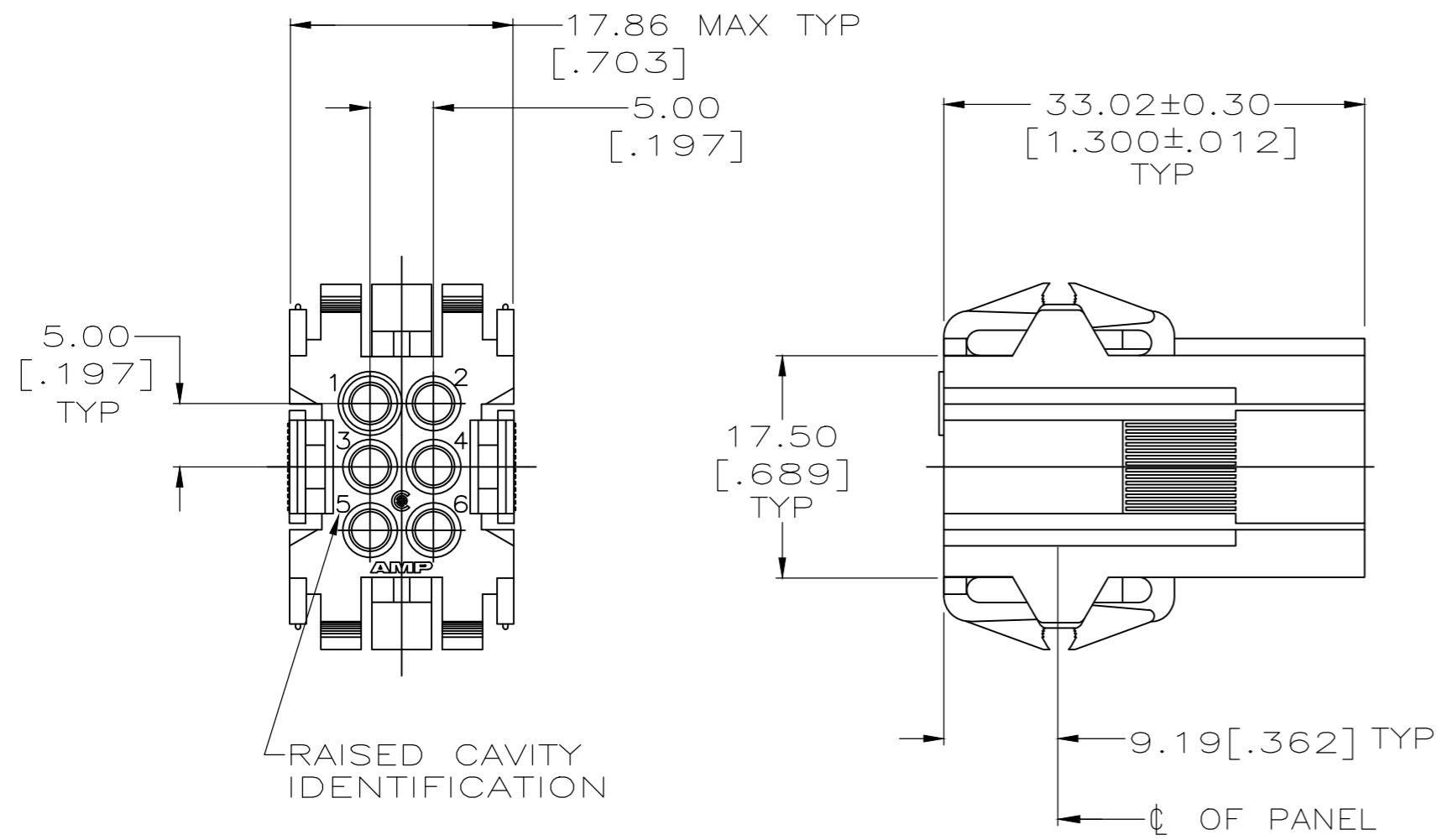


THIS DRAWING IS UNPUBLISHED. RELEASED FOR PUBLICATION
 © COPYRIGHT - By - ALL RIGHTS RESERVED.

REVISIONS				
P	LTR	DESCRIPTION	DATE	APVD
S		REVISED PER ECO-20-002227	19FEB2020	RK MZ



- 1. PANEL RETENTION MECHANISM ACCOMMODATES PANEL THICKNESSES FROM 0.76[.030] TO 2.29[.090].
- 2 SAME AS 207153-1 EXCEPT: ROUNDED EDGES ON THE OUTSIDE OF THE HOUSING AND A 45° ANGLE ON THE OUTSIDE OF THE HOUSING BY THE LOCKING LATCHES, REF 927673.
- 3 OBSOLETE PART NUMBER.
- 4 HOUSING MATERIAL: PA66, BLACK, UL 94 V-0 RATED

3	2	207153-2
		207153-1
PART NUMBER		

THIS DRAWING IS A CONTROLLED DOCUMENT.		DWN W.LENKER 08/26/92	STE TE Connectivity	
DIMENSIONS: mm [INCHES]		CHK R.STONE 8-31-92		
TOLERANCES UNLESS OTHERWISE SPECIFIED:		APVD A.TRAVIS 9-2-92	NAME HOUSING, RECEPTACLE, 6 POSITION, METRIMATE	
0 PLC ± -		PRODUCT SPEC 108-10033	SIZE A2 CAGE CODE 00779	
1 PLC ± -		APPLICATION SPEC	DRAWING NO C=207153	
2 PLC ± 0.25 [.010]			RESTRICTED TO -	
3 PLC ± -			SCALE 2:1 SHEET 1 of 1	
4 PLC ± -			REV S	
ANGLES ± -				
FINISH -		WEIGHT -		
MATERIAL 4		CUSTOMER DRAWING		