

4

3

2

1

© - TE Connectivity. All Rights Reserved.

REVISIONS

P	LTR	DESCRIPTION	DATE	DWN	APVD
	A	INITIAL DRAWING	24MAY2021	TL	HL

10.00
1.50
1.50
DIM.C
1.78±0.05 KEY
PIN A1
PIN A12
PIN A"C+12"
PIN B1
11.65
PIN B12
PIN B"C+12"
14.50
DIM.B±0.23

ACCEPTED
1.57 PCB

4.4
4.05
3.84 REF
6.30
1.70^{+0.15}/_{-0.05}

SECTION A-A

NOTES:

- MATERIAL:
 - HOUSING: PA9T WITH 45% G.F, HALOGEN FREE, UL94V-0, COLOR: BLACK
 - CAP: LCP WITH 30%, UL94 V-0, COLOR: BLACK
 - CONTACT: PHOSPHOR BRONZE
- FINISH:
 - CONTACT:
 - GOLD PLATING (SEE TABLE) ON CONTACT AREA.
 - 2.54um [100u"] MIN. MATTE-TIN PLATING ON SOLDER TAIL AREA.
 - 1.27um [50u"] MIN. NICKEL UNDERPLATING OVERALL.
- CONNECTOR HAS MET THE REQUIREMENTS PER PCI EXPRESS GEN 4 TECHNICAL DOCUMENT.
- REFLOW SOLDER CAPABLE TO 260°C PER TEST SPEC. TEC-109-201, CONDITION B.

10.00
2.51
A
A
1.00 PITCH
0.34 TYP
1.60
2 PLC
1.50
1.50
16.30
DIM.D
6.50
2 PLC
ø2.20
2 PLC

(8.80)
5.10
3.70
3.55
0.8
8.60
16.3
6.30
7.40

DATE CODE

PIN B1
PIN B"C+12"
PIN A1
1.85
PIN A"C+12"

THIS DRAWING IS A CONTROLLED DOCUMENT.		DWN TONY LI 26FEB2021	TE Connectivity Ltd.		
		CHK ALEX SHOAL 26FEB2021			
		APVD HOPE LU 26FEB2021	NAME PCI EXPRESS GEN4 CARD EDGE CONNECTOR STRADDLE MOUNT OPEN END		
DIMENSIONS: mm		TOLERANCES UNLESS OTHERWISE SPECIFIED:		APPLICATION SPEC	
		0 PLC ± - 1 PLC ± 0.3 2 PLC ± 0.20 3 PLC ± 0.15 4 PLC ± - ANGLES ± 3°		-	
MATERIAL SEE NOTE		FINISH SEE NOTE		WEIGHT 0	
CUSTOMER DRAWING			SIZE A3	CAGE CODE 00779	DRAWING NO C=2387405
			SCALE 1:1	SHEET 1 OF 4	RESTRICTED TO - REV A

1470-19 (1/15)

4

3

2

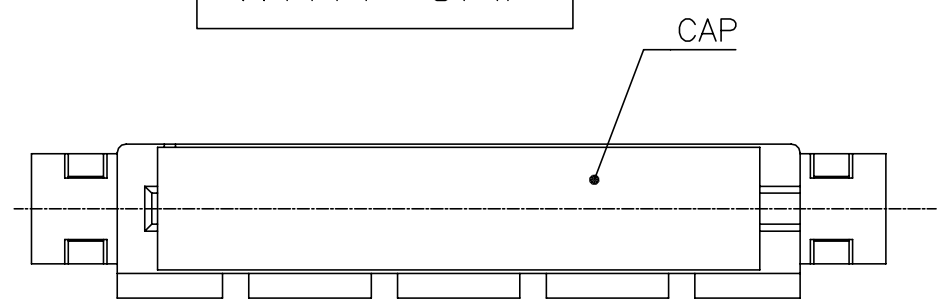
1

© - TE Connectivity. All Rights Reserved.

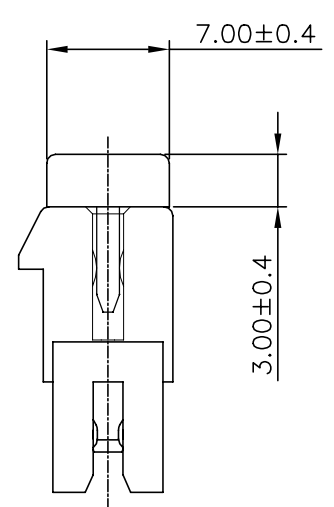
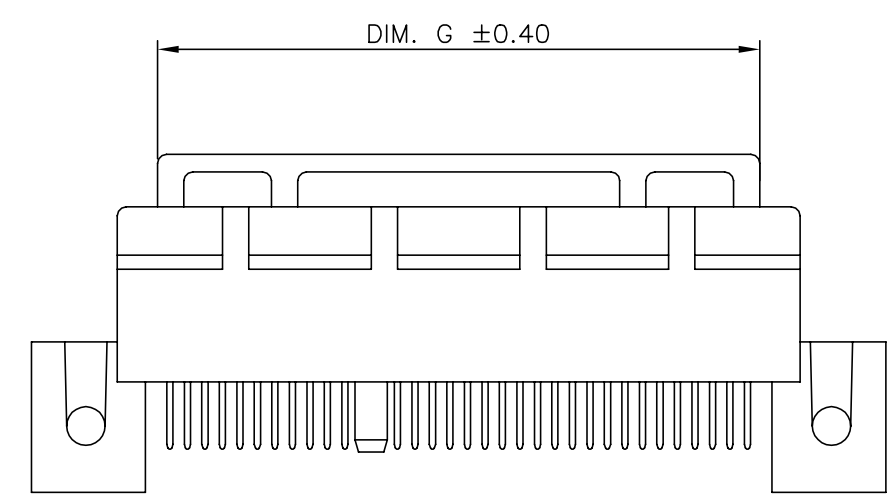
REVISIONS

P	LTR	DESCRIPTION	DATE	DWN	APVD
-	-	SEE SHEET 1	-	-	-

WITH CAP



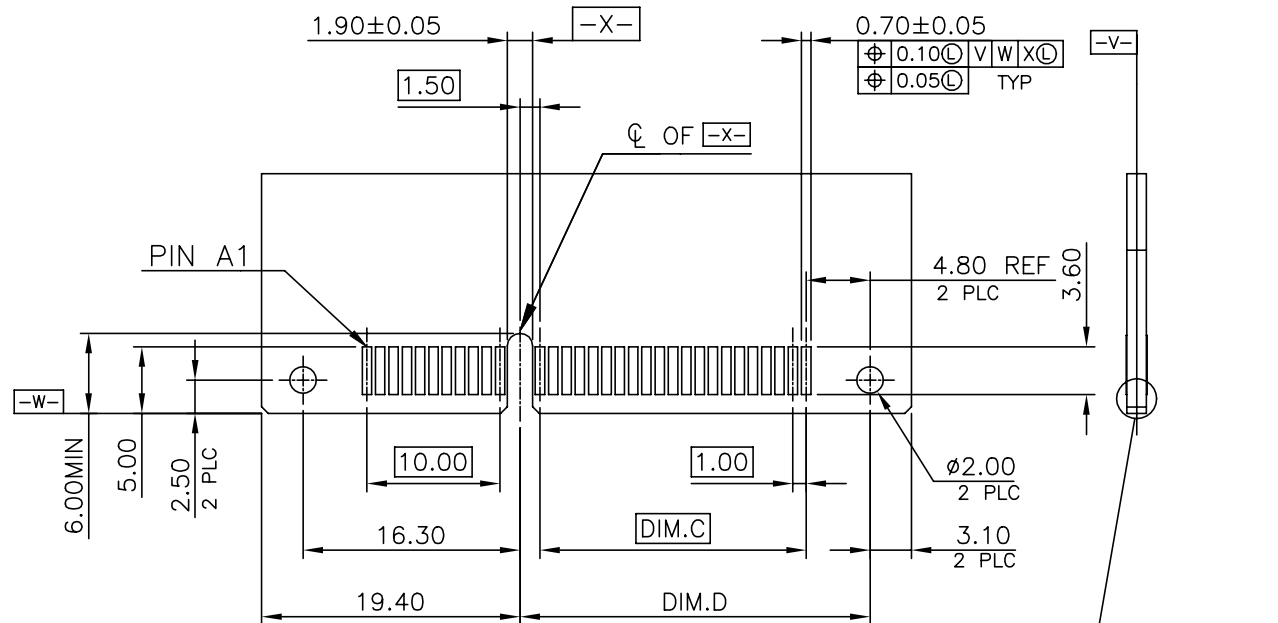
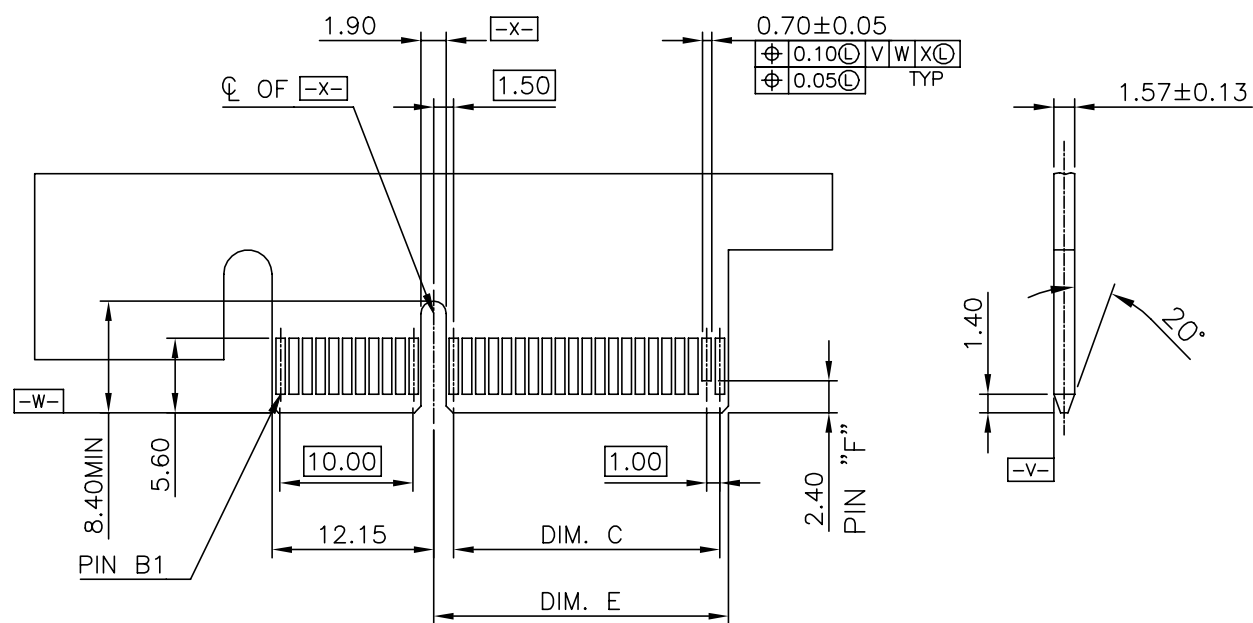
164	84.4
98	51.4
64	34.4
36	20.4
POSITION	DIM G



Y	76.30	70.0	89.0	0.762um [30u"]	164	2-2387405-4
Y	43.30	37.0	56.0		98	2-2387405-3
Y	26.30	20.0	39.0		64	2-2387405-2
Y	12.30	6.0	25.0		36	2-2387405-1
Y	76.30	70.0	89.0	0.381um [15u"]	164	1-2387405-4
Y	43.30	37.0	56.0		98	1-2387405-3
Y	26.30	20.0	39.0		64	1-2387405-2
Y	12.30	6.0	25.0	36	1-2387405-1	
Y	76.30	70.0	89.0	0.0254um [1u"]	164	2387405-4
Y	43.30	37.0	56.0		98	2387405-3
Y	26.30	20.0	39.0		64	2387405-2
Y	12.30	6.0	25.0		36	2387405-1
CAP (Y/N)	DIM. D	DIM. C	DIM. B	MIN. GOLD THICKNESS	POSITION	PART NUMBER

THIS DRAWING IS A CONTROLLED DOCUMENT.		DWN TONY LI 26FEB2021	TE Connectivity Ltd.				
DIMENSIONS: mm		CHK ALEX SHOAL 26FEB2021					
TOLERANCES UNLESS OTHERWISE SPECIFIED:		APVD HOPE LU 26FEB2021	NAME PCI EXPRESS GEN4 CARD EDGE CONNECTOR STRADDLE MOUNT OPEN END				
0 PLC ± - 1 PLC ± 0.3 2 PLC ± 0.20 3 PLC ± 0.15 4 PLC ± - ANGLES ± 3°		PRODUCT SPEC -	APPLICATION SPEC -				
MATERIAL SEE NOTE		FINISH SEE NOTE	WEIGHT 0	SIZE A3	CAGE CODE 00779	DRAWING NO C=2387405	RESTRICTED TO -
CUSTOMER DRAWING			SCALE 1:1	SHEET 2 OF 4	REV A		

P	LTR	DESCRIPTION	DATE	DWN	APVD
-	-	SEE SHEET 1	-	-	-



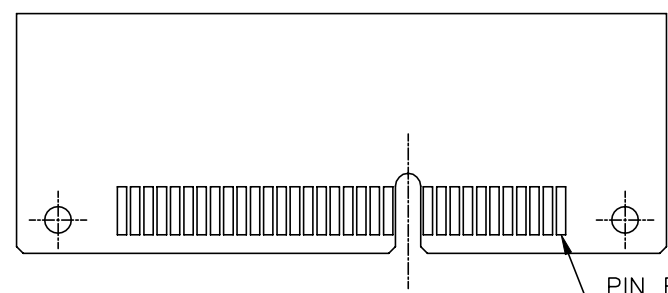
1/0 PANEL DIRECTION
PRIMARY (COMPONENT) SIDE

1/0 PANEL DIRECTION
SECONDARY (SOLDER) SIDE

ADD-IN CARD EDGE-FINGER DIMENSIONS

NOTES:
CHAMFER EDGE MUST BE FREE OF CUTTING BURRS

RECOMMEND MODULE CARD STRUCTURE



RECOMMEND PCB LAYOUT

70.00	76.30	72.15	B81	164
37.00	43.30	39.15	B48	98
20.00	26.30	22.15	B31	64
6.00	12.30	8.15	B17	36
DIM.C	DIM.D	DIM.E	PIN "F"	POSITION

THIS DRAWING IS A CONTROLLED DOCUMENT.

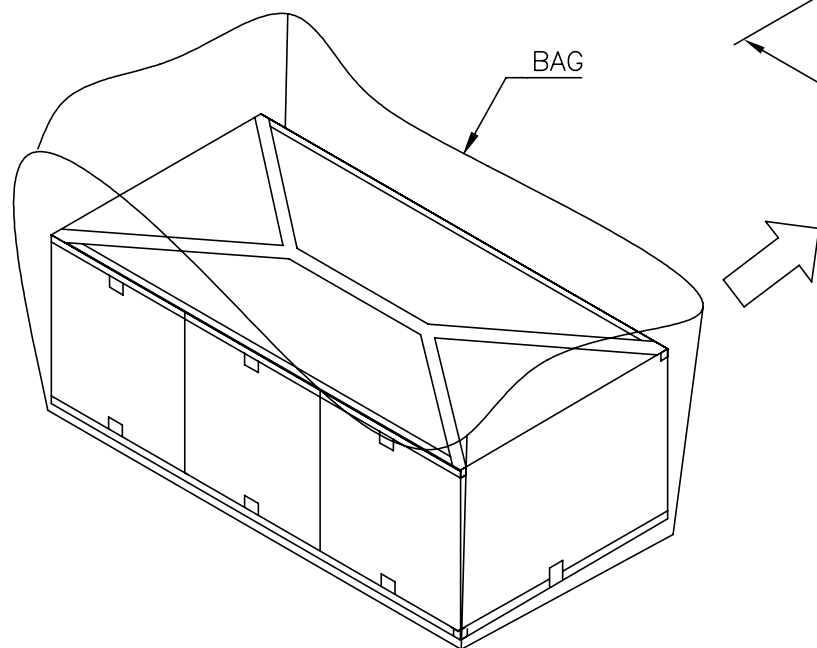
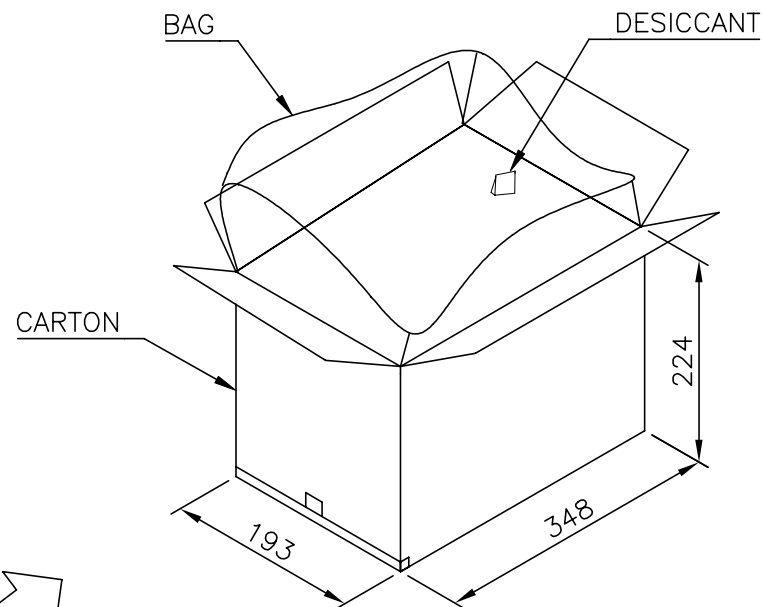
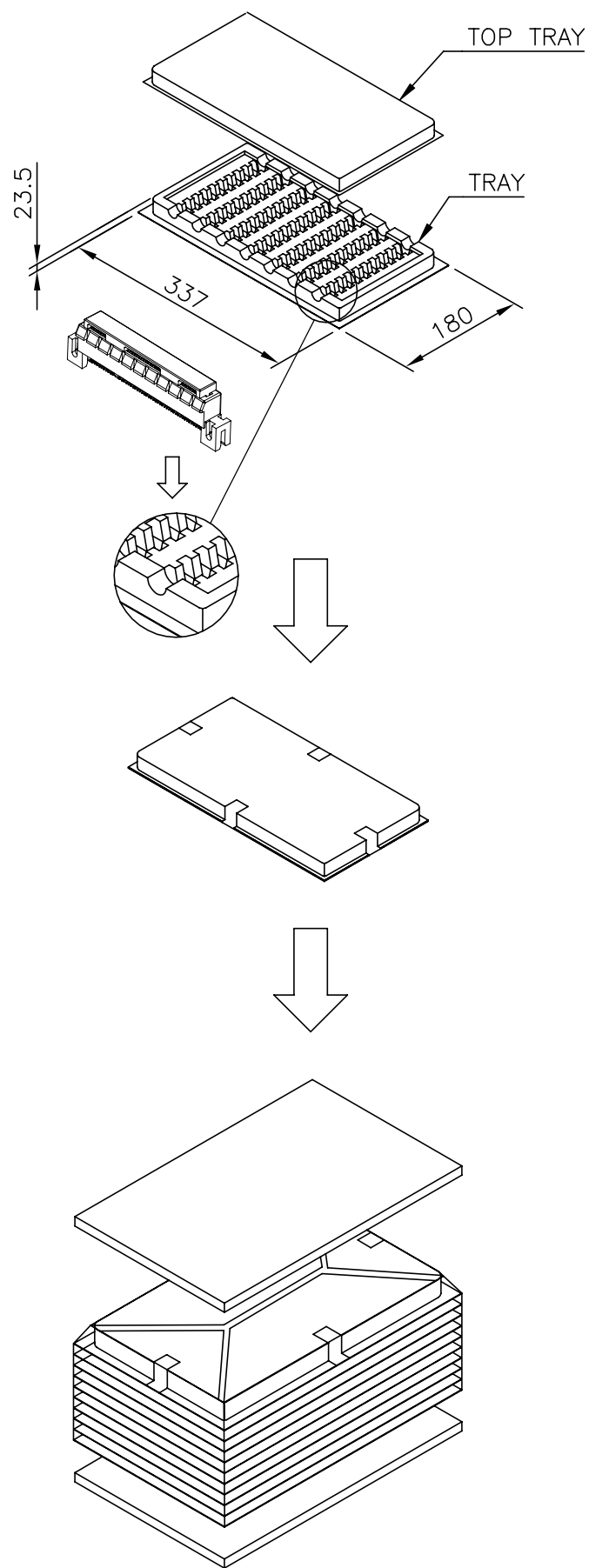
DIMENSIONS: mm	TOLERANCES UNLESS OTHERWISE SPECIFIED: 0 PLC ± - 1 PLC ± 0.3 2 PLC ± 0.20 3 PLC ± 0.15 4 PLC ± - ANGLES ± 3'	DWN TONY LI 26FEB2021 CHK ALEX SHOAL 26FEB2021 APVD HOPE LU 26FEB2021	TE Connectivity Ltd.	
MATERIAL SEE NOTE	FINISH SEE NOTE	APPLICATION SPEC WEIGHT 0	NAME PCI EXPRESS GEN4 CARD EDGE CONNECTOR STRADDLE MOUNT OPEN END SIZE A3 CAGE CODE 00779 DRAWING NO C=2387405 RESTRICTED TO -	
CUSTOMER DRAWING		SCALE 1:1	SHEET 3 OF 4	REV A

REVISIONS

P	LTR	DESCRIPTION	DATE	DWN	APVD
-	-	SEE SHEET 1	-	-	-

NOTES :

- MATERIAL :
 TRAY: PVC, COLOR: TRANSPARENT.
 CARTON: CORRUGATED FIBER
 BOX: CORRUGATED FIBER
 TRANSPARENT BAG: PE, SIZE: 480mm*350mm*0.06mm
 600mm*590mm*0.06mm
- EACH BAG SHALL BE INCLUDED:
 * DESICCANT



30	10	3	900	164
40	10	3	1200	98
50	10	3	1500	64
70	10	3	2100	36
PCS/ TRAY	TRAY/ CARTON	CARTON/ BOX	PCS/ BOX	POS

THIS DRAWING IS A CONTROLLED DOCUMENT.

DIMENSIONS:	TOLERANCES UNLESS OTHERWISE SPECIFIED:
mm	
	0 PLC ± -
	1 PLC ± 0.3
	2 PLC ± 0.20
	3 PLC ± 0.15
	4 PLC ± -
	ANGLES ± 3'

MATERIAL SEE NOTE

FINISH SEE NOTE

DWN	TONY LI	26FEB2021
CHK	ALEX SHOAL	26FEB2021
APVD	HOPE LU	26FEB2021
PRODUCT SPEC	-	-
APPLICATION SPEC	-	-
WEIGHT	0	-
CUSTOMER DRAWING		

STE TE Connectivity Ltd.

PCI EXPRESS GEN4 CARD EDGE CONNECTOR
STRADDLE MOUNT OPEN END

SIZE	CAGE CODE	DRAWING NO	RESTRICTED TO
A3	00779	C=2387405	-
SCALE	1:1	SHEET	4 OF 4
REV	A		