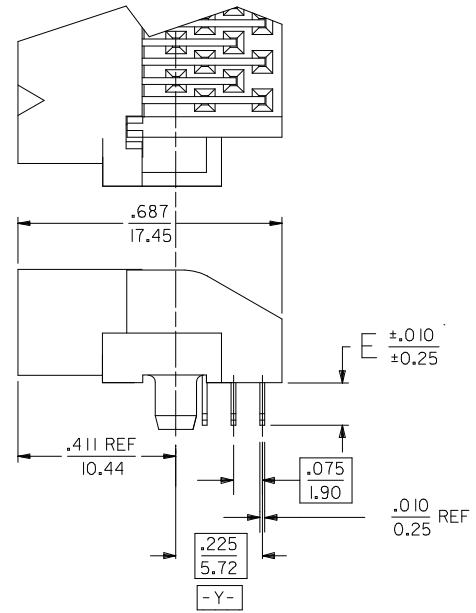
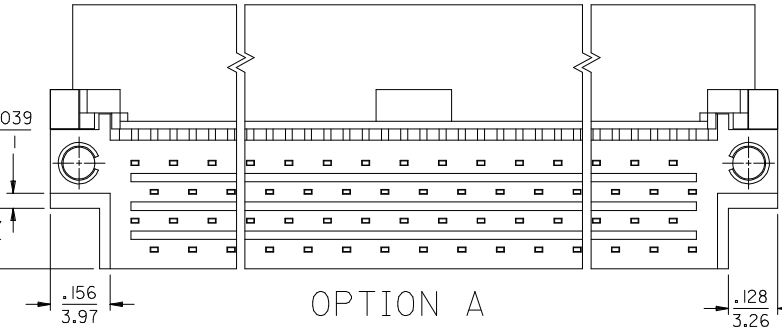
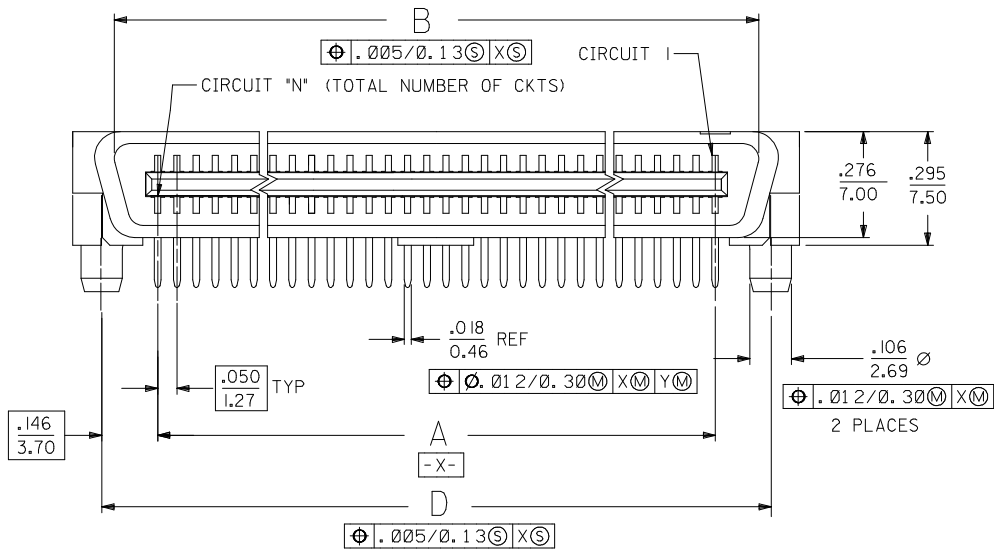


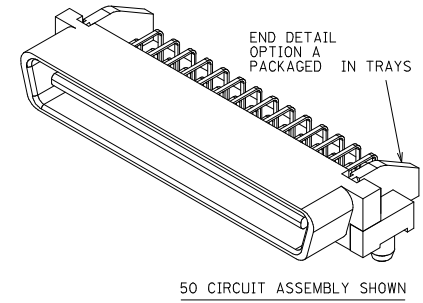
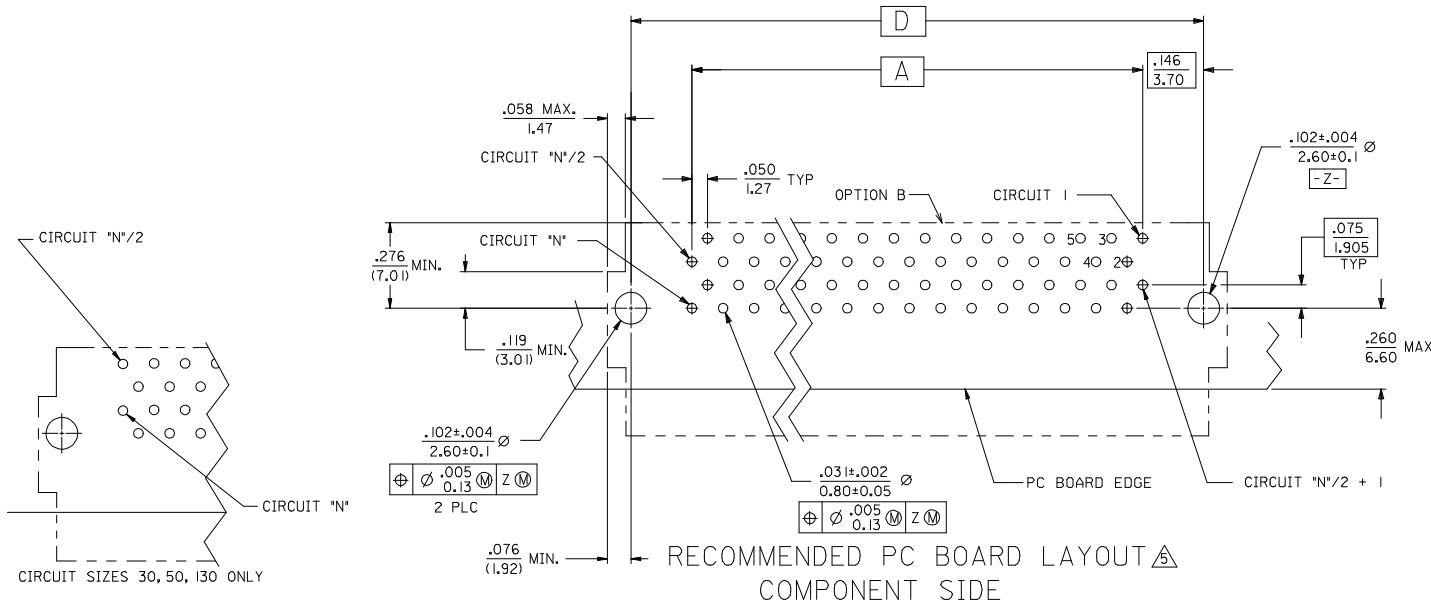
- NOTES:**
- MATERIALS:**
HOUSING: LIQUID CRYSTAL POLYMER (LCP), GLASS-FILLED, UL 94V-0,
COLOR: BLACK
TERMINALS: BRASS.
 - FINISH:**
TERMINAL: SELECTIVE GOLD (Au) IN THE CONTACT AREA;
THICKNESS= .76 MICROMETER (30 MICROINCH) MINIMUM;
SELECTIVE TIN (Sn) ALLOY IN THE PC TAIL AREA;
THICKNESS= 1.27 MICROMETER (50 MICROINCH) MINIMUM;
NICKEL (Ni) UNDERPLATE OVERALL.
 - ASSEMBLY MATES WITH MOLEX P/N SDA-71660-****
 - CONFORMS TO PRODUCT SPEC: PS-71660.
- RECOMMENDED P.C. BOARD THICKNESS IS .062 (1.6).
FOUR DIGIT DATE CODE (WK. YR.) EXAMPLE 26 96 LOCATED IN AREA SHOWN.
TOOLING STATUS: *X* INDICATES NO TOOLING AVAILABLE.
CONTACT FACTORY FOR FURTHER INFORMATION.



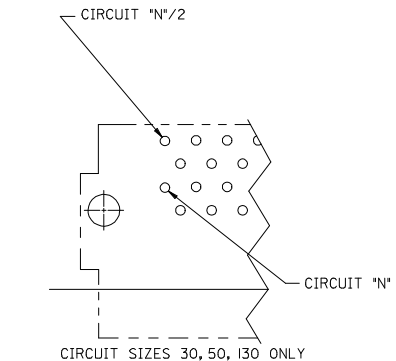
END DETAIL
OPTION A
(BOTH ENDS)



CHANGE MATERIAL EC NO: UCP2009-1254 DRWN:MSI:BARRA 2008/12/19 CHKD:BBARKER 2009/01/06 APPR:SMILLER 2009/01/06	DESCRIPTION REV	QUALITY SYMBOLS ▽=0 ▽=0	GENERAL TOLERANCES (UNLESS SPECIFIED)		DIMENSION STYLE IN/MM		SCALE 4:1	DESIGN UNITS INCH	THIRD ANGLE PROJECTION
			4 PLACES ± --- ± --- 3 PLACES ± --- ± .010 2 PLACES ± 0.25 ± --- 1 PLACE ± --- ± --- ANGULAR ± 1/2°	mm INCH DRAWN BY DATE RKADAMS 2004/08/18 CHECKED BY DATE BBARKER 2004/08/18 APPROVED BY DATE SMILLER 2004/08/18	TITLE SALES ASSEMBLY EBBI 50D RIGHT ANGLE PLUG CONNECTOR		MATERIAL NO. SEE TABLE	DOCUMENT NO. SD-71661-007	
DRAFT WHERE APPLICABLE MUST REMAIN WITHIN DIMENSIONS			THIS DRAWING CONTAINS INFORMATION THAT IS PROPRIETARY TO MOLEX INCORPORATED AND SHOULD NOT BE USED WITHOUT WRITTEN PERMISSION						



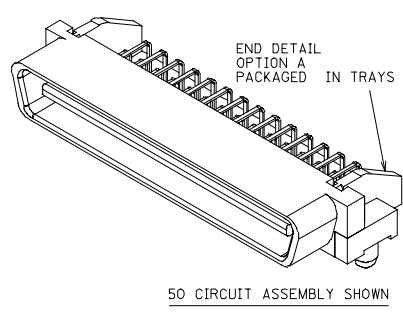
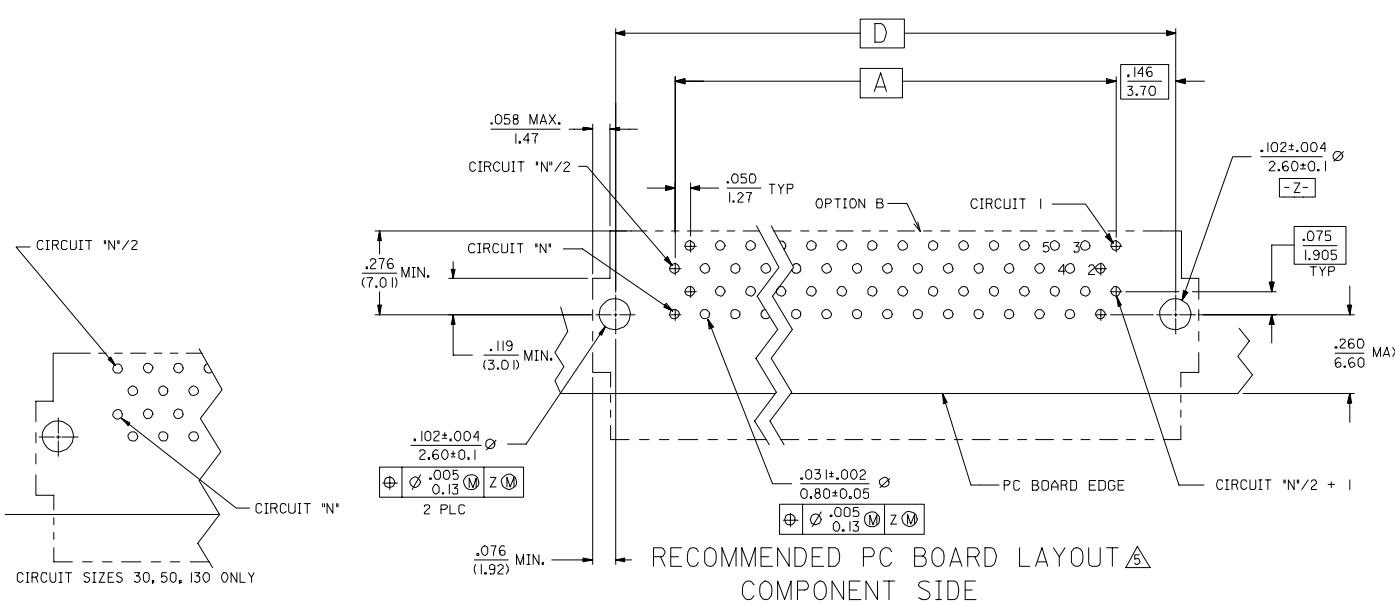
50 CIRCUIT ASSEMBLY SHOWN



		TRAY PACK PER SPEC. PK-70873-084*					END DETAIL OPTION 'A'
		D	C	B	A	CKT ('N')	ITEM NUMBER
.125 (3.18)	3.491 (88.68)	3.642 (92.50)	3.426 (87.02)	3.200 (81.28)	130		
	3.241 (82.33)	3.392 (86.15)	3.176 (80.67)	2.950 (74.93)	120		
	2.741 (69.63)	2.892 (73.45)	2.676 (67.97)	2.450 (62.23)	100		
	2.241 (56.93)	2.392 (60.75)	2.176 (55.27)	1.950 (49.53)	80		
	1.941 (49.31)	2.092 (53.13)	1.875 (47.65)	1.650 (41.91)	68		
	1.741 (44.23)	1.892 (48.05)	1.676 (42.57)	1.450 (36.83)	60		71661-2936
	1.491 (37.88)	1.642 (41.70)	1.426 (36.22)	1.200 (30.48)	50		
	1.241 (31.53)	1.392 (35.35)	1.176 (29.87)	.950 (24.13)	40		
	.991 (25.18)	1.142 (29.00)	.925 (23.52)	.700 (17.78)	30		
	.110 (2.79)	3.491 (88.68)	3.642 (92.50)	3.426 (87.02)	3.200 (81.28)	130	
3.241 (82.33)		3.392 (86.15)	3.176 (80.67)	2.950 (74.93)	120		
2.741 (69.63)		2.892 (73.45)	2.676 (67.97)	2.450 (62.23)	100		71661-2910
2.241 (56.93)		2.392 (60.75)	2.176 (55.27)	1.950 (49.53)	80		71661-2980
1.941 (49.31)		2.092 (53.13)	1.875 (47.65)	1.650 (41.91)	68		71661-2968
1.741 (44.23)		1.892 (48.05)	1.676 (42.57)	1.450 (36.83)	60		71661-2960
1.491 (37.88)		1.642 (41.70)	1.426 (36.22)	1.200 (30.48)	50		71661-2950
1.241 (31.53)		1.392 (35.35)	1.176 (29.87)	.950 (24.13)	40		
.991 (25.18)		1.142 (29.00)	.925 (23.52)	.700 (17.78)	30		71661-2930

SEE SHEET 1 EC NO: LUCP2009-1254 2008/12/19 DRWNS/IBARRA 2009/01/06 CHK/BBARKER APPR:SMILLER 2009/01/06	QUALITY SYMBOLS ▽=0 ▽=0	GENERAL TOLERANCES (UNLESS SPECIFIED)		DIMENSION STYLE IN/MM		SCALE	DESIGN UNITS	THIRD ANGLE PROJECTION
		4 PLACES ±--- ±--- 3 PLACES ±--- ±.010 2 PLACES ±0.25 ±--- 1 PLACE ±--- ±---		DRAWN BY DATE RKADAMS 2004/08/18		TITLE SALES ASSEMBLY EBBI 50D RIGHT ANGLE PLUG CONNECTOR		
		ANGULAR ±1/2°		CHECKED BY DATE BBARKER 2004/08/18		MOLEX INCORPORATED		
		DRAFT WHERE APPLICABLE MUST REMAIN WITHIN DIMENSIONS		APPROVED BY DATE SMILLER 2004/08/18		MATERIAL NO. SEE TABLE		DOCUMENT NO. SD-71661-007

20 19 18 17 16 15 14 13 12 11 10 9 8 7 6 5 4 3 2 1



RECOMMENDED PC BOARD LAYOUT
COMPONENT SIDE

TRAY PACK
PER SPEC.
PK-10873-084+
END DETAIL
OPTION 'A'

.125 (3.18)	3.491 (88.68)	3.642 (92.50)	3.426 (87.02)	3.200 (81.28)	130	
	3.241 (82.33)	3.392 (86.15)	3.176 (80.67)	2.950 (74.93)	120	
	2.741 (69.63)	2.892 (73.45)	2.676 (67.97)	2.450 (62.23)	100	
	2.241 (56.93)	2.392 (60.75)	2.176 (55.27)	1.950 (49.53)	80	
	1.941 (49.31)	2.092 (53.13)	1.875 (47.65)	1.650 (41.91)	68	
	1.741 (44.23)	1.892 (48.05)	1.676 (42.57)	1.450 (36.83)	60	71661-2936
	1.491 (37.88)	1.642 (41.70)	1.426 (36.22)	1.200 (30.48)	50	
.110 (2.79)	1.241 (31.53)	1.392 (35.35)	1.176 (29.87)	.950 (24.13)	40	
	.991 (25.18)	1.142 (29.00)	.925 (23.52)	.700 (17.78)	30	
	3.491 (88.68)	3.642 (92.50)	3.426 (87.02)	3.200 (81.28)	130	
	3.241 (82.33)	3.392 (86.15)	3.176 (80.67)	2.950 (74.93)	120	
	2.741 (69.63)	2.892 (73.45)	2.676 (67.97)	2.450 (62.23)	100	71661-2910
	2.241 (56.93)	2.392 (60.75)	2.176 (55.27)	1.950 (49.53)	80	71661-2980
	1.941 (49.31)	2.092 (53.13)	1.875 (47.65)	1.650 (41.91)	68	71661-2968
A	1.741 (44.23)	1.892 (48.05)	1.676 (42.57)	1.450 (36.83)	60	71661-2960
	1.491 (37.88)	1.642 (41.70)	1.426 (36.22)	1.200 (30.48)	50	71661-2950
	1.241 (31.53)	1.392 (35.35)	1.176 (29.87)	.950 (24.13)	40	
	.991 (25.18)	1.142 (29.00)	.925 (23.52)	.700 (17.78)	30	71661-2930

E D C B A CKT ('N') ITEM NUMBER

ADD 71661-2960 EC NO: UCP2008-047 DRWN:SBARRA 2007/08/29 CHK:CBARKER 2007/09/14 APPR:SMILLER 2007/09/14	QUALITY SYMBOLS 	GENERAL TOLERANCES (UNLESS SPECIFIED)		DIMENSION STYLE IN/MM		SCALE ---	DESIGN UNITS INCH	THIRD ANGLE PROJECTION		
		4 PLACES ± --- ± --- 3 PLACES ± --- ± .010 2 PLACES ± 0.25 ± --- 1 PLACE ± --- ± ---	mm INCH	DRAWN BY RKADAMS	DATE 08/18/2004	TITLE SALES ASSEMBLY EBB1 50D RIGHT ANGLE PLUG CONNECTOR				
		ANGULAR ±1/2°	DRAFT WHERE APPLICABLE MUST REMAIN WITHIN DIMENSIONS	CHECKED BY BBARKER	DATE 08/18/2004	APPROVED BY SMILLER	DATE 08/18/2004	MATERIAL NO. SEE TABLE	DOCUMENT NO. SD-71661-007	SHEET NO. 2 OF 2
		THIS DRAWING CONTAINS INFORMATION THAT IS PROPRIETARY TO MOLEX INCORPORATED AND SHOULD NOT BE USED WITHOUT WRITTEN PERMISSION								

19 18 17 16 15 14 13 12 11 10 9 8 7 6 5 4 3 2 1