

SACC-MINMR-5CON-PG 9

Order No.: 1521504

<http://eshop.phoenixcontact.de/phoenix/treeViewClick.do?UID=1521504>

Sensor/actuator connector, male, angled, 5-pos., 7/8", screw connection, metal knurl, cable screw connection Pg9

Commercial data

| | |
|--------------------------|-------------------|
| EAN | 4017918949723 |
| Pack | 1 pcs. |
| Customs tariff | 85369010 |
| Weight/Piece | 0.0578 KG |
| Catalog page information | Page 53 (PC-2009) |

Product notes

WEEE/RoHS-compliant since:
03/22/2006



<http://www.download.phoenixcontact.com>
Please note that the data given here has been taken from the online catalog. For comprehensive information and data, please refer to the user documentation. The General Terms and Conditions of Use apply to Internet downloads.

Technical data

General data

| | |
|-----------------------|----------------------------|
| Nominal current I_N | 9 A |
| Nominal voltage U_N | 250 V |
| Number of positions | 5 |
| Volume resistance | $\leq 5 \text{ m}\Omega$ |
| Insulation resistance | $\geq 100 \text{ M}\Omega$ |

General characteristics

| | |
|--|----------------------|
| Coding | A - standard |
| Surge voltage category | II |
| Pollution degree | 3 |
| Degree of protection | IP67 |
| Contact material | CuZn |
| Contact surface material | Au |
| Contact carrier material | PUR / PA66 |
| Material of grip body | PBT |
| Material, knurls | Anodized aluminum |
| Type of connection | Screw connection |
| Conductor cross section stranded min. | 0.34 mm ² |
| Conductor cross section stranded max. | 1.5 mm ² |
| Conductor cross section AWG/kcmil min. | 22 |
| Conductor cross section AWG/kcmil max | 16 |
| Min. diameter | 6 mm |
| Max. diameter | 8 mm |
| Status display | No |

Certificates / Approvals

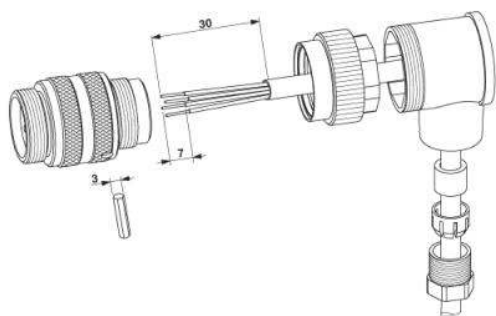


Certification

CUL, UL

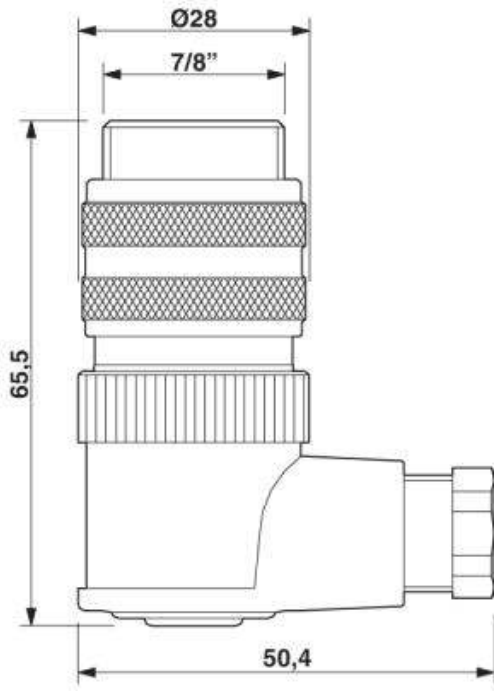
Diagrams/Drawings

Functional drawing



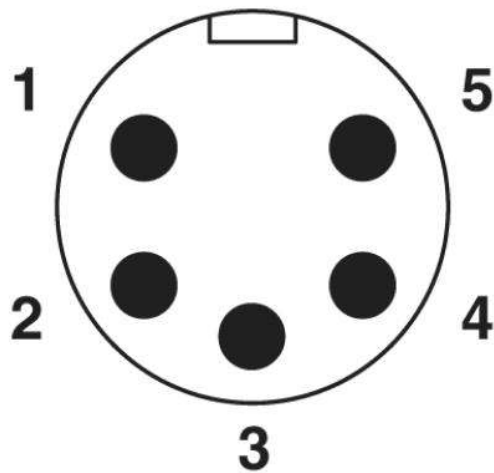
Dimensioned drawing

Male 7/8"-16UNF, angled, Pg9



Schematic diagram

Pin assignment, plug, 7/8"-16UNF, 5-pos., view of male side



Address

PHOENIX CONTACT Deutschland GmbH
Flachmarktstr. 8
32825 Blomberg, Germany
Phone +49 5235 3 12000
Fax +49 5235 3 41200
<http://www.phoenixcontact.de>



© 2010 Phoenix Contact
Technical modifications reserved;