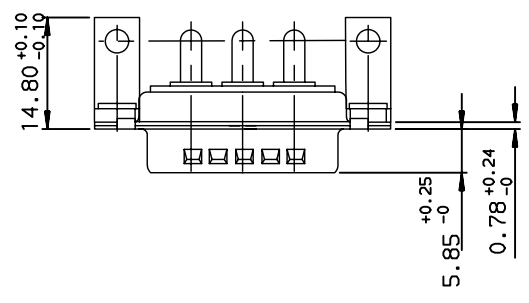
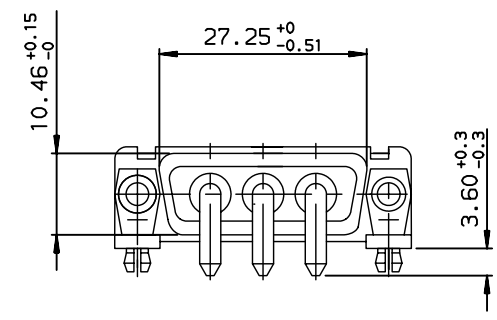
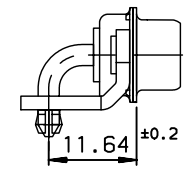
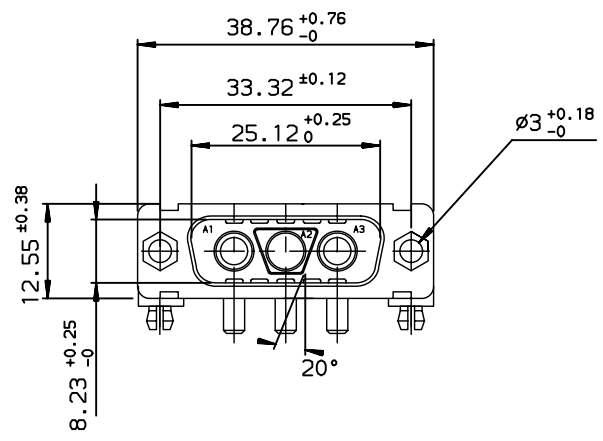
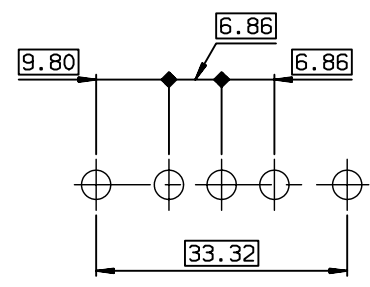


GENERAL CHARACTERISTICS : SEE DRAWING C01-8639-0001



DA3V3P500G40
PART NUMBER

LAYOUT DIMENSIONS (after plating)
CONNECTOR SIDE VIEW



www.fciconnect.com		surface ISO 1302 ✓	tolerance std ISO 406 ISO 1101	projection mm
TOLERANCES UNLESS OTHERWISE SPECIFIED				
Dr	PESSON	2003/09/29	0.X	±0.1
Eng	PESSON	2003/09/29	0.XX	±0.1
Chr	LEGARE	2003/09/29	0.XXX	±0.1
Appr	LEGARE	2003/09/29	size A3 Scale 1.5	
Product family			ECN LS07-0094	
SUB			Spec ref -	
		PIN CONNECTOR FOR POWERS CONTACTS		dwg no C01-8639-1762
catalog no		CUSTOMER		Rev. C
		sheet 1 of 1		

rev	ecn no	dr	date
B	-	MPE	2003/09/29
C	LS07-0094	MPE	2007/04/05
-	-	-	-
-	-	-	-
-	-	-	-
-	-	-	-

European Views

Copyright FCJ