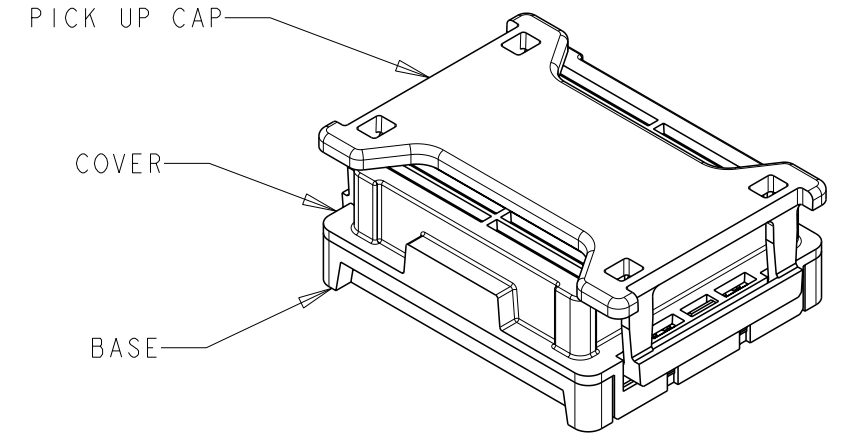
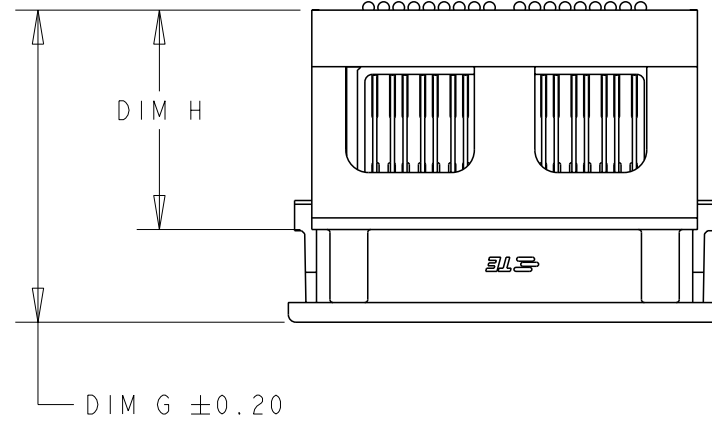
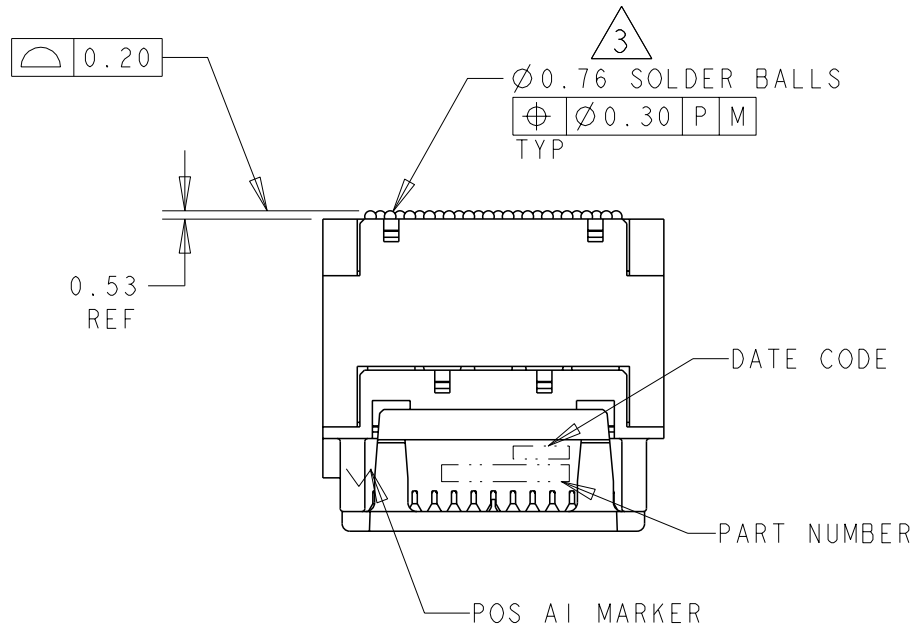
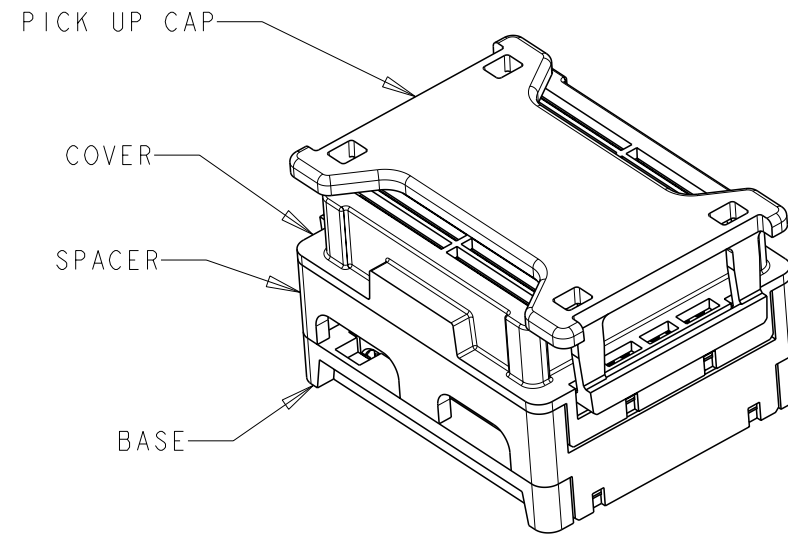
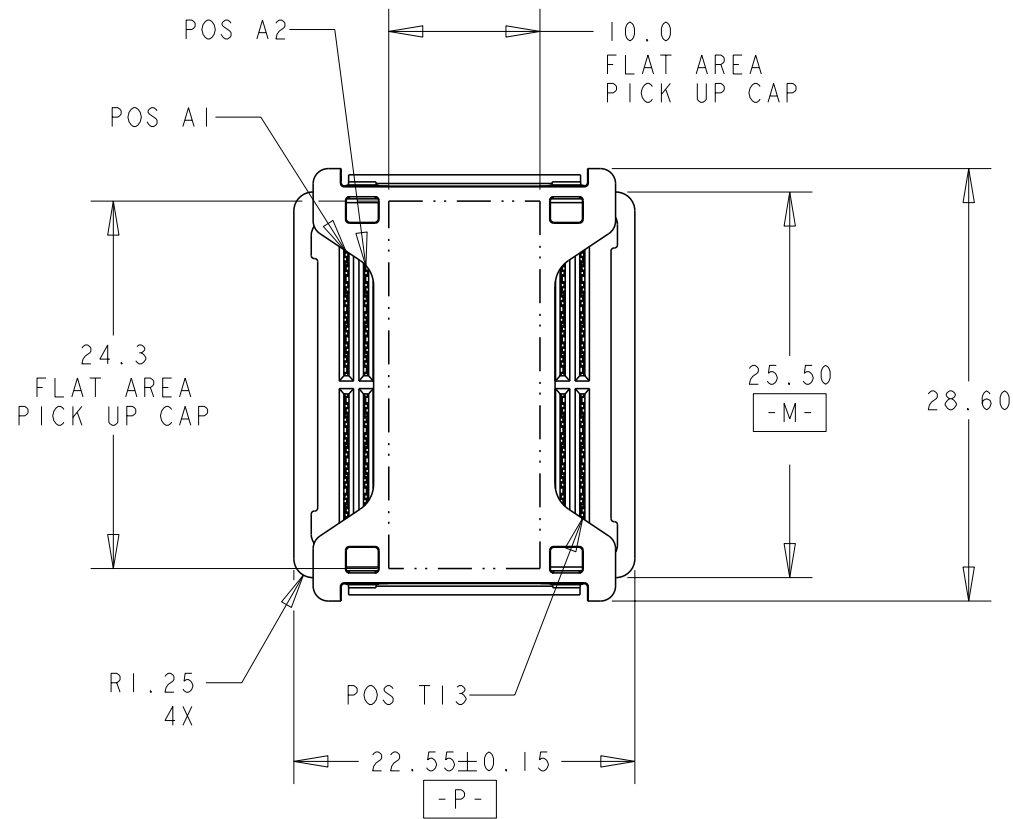


P	LTR	DESCRIPTION	DATE	DWN	APVD
	A5	REVISED PER ECO-20-017117	27APR2021	AP	RW

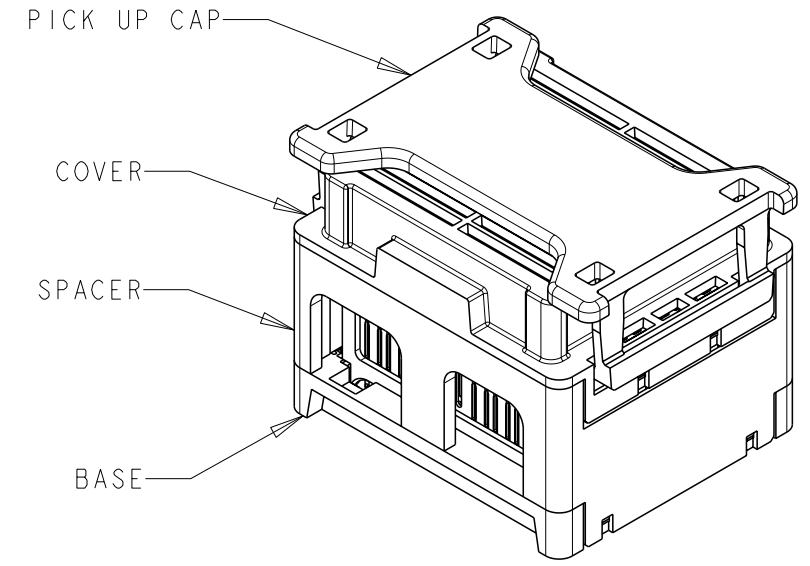


ISOMETRIC VIEW
TYPICAL CONFIGURATION
FOR 5mm ASSEMBLY
SCALE 2:1

TYPICAL ASSEMBLY
15mm SHOWN
SCALE 2:1



ISOMETRIC VIEW
TYPICAL CONFIGURATION
FOR 11mm ASSEMBLY
SCALE 2:1



ISOMETRIC VIEW
TYPICAL CONFIGURATION
FOR 15mm ASSEMBLY
SCALE 2:1

THIS DRAWING IS A CONTROLLED DOCUMENT.		DWN P BRANDBERG 19JAN05	TE Connectivity	
		CHK D WERTZ 20JAN05		
		APVD D WERTZ 20JAN05	NAME STEP-Z, RECEPTACLE ASSEMBLY, 104 SIGNAL POSITION	
DIMENSIONS: mm		PRODUCT SPEC 108-2143	SIZE A3	
TOLERANCES UNLESS OTHERWISE SPECIFIED: 0 PLC ±- 1 PLC ±0.3 2 PLC ±0.10 3 PLC ±0.050 4 PLC ±- ANGLES ±2°		APPLICATION SPEC 114-13101	CAGE CODE 300779	DRAWING NO C-1761613
MATERIAL 1		FINISH 2	RESTRICTED TO	SCALE 5:2
		CUSTOMER DRAWING	SHEET 1 OF 3	REV A5


printed on 27 Apr 2021 20:50 from FROT9828

REVISIONS

P	LTR	DESCRIPTION	DATE	DWN	APVD
	-	SEE SHEET 1	-	-	-

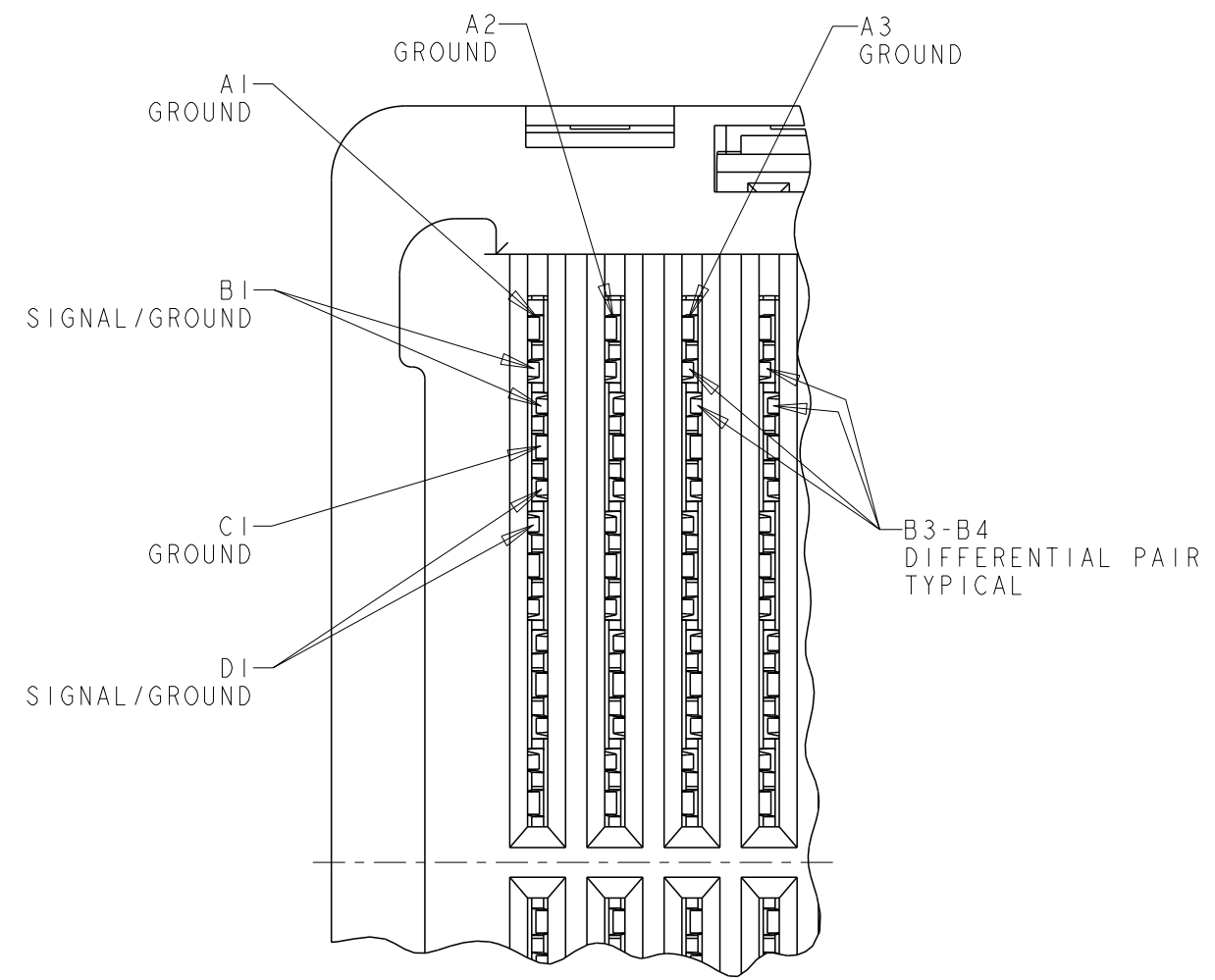
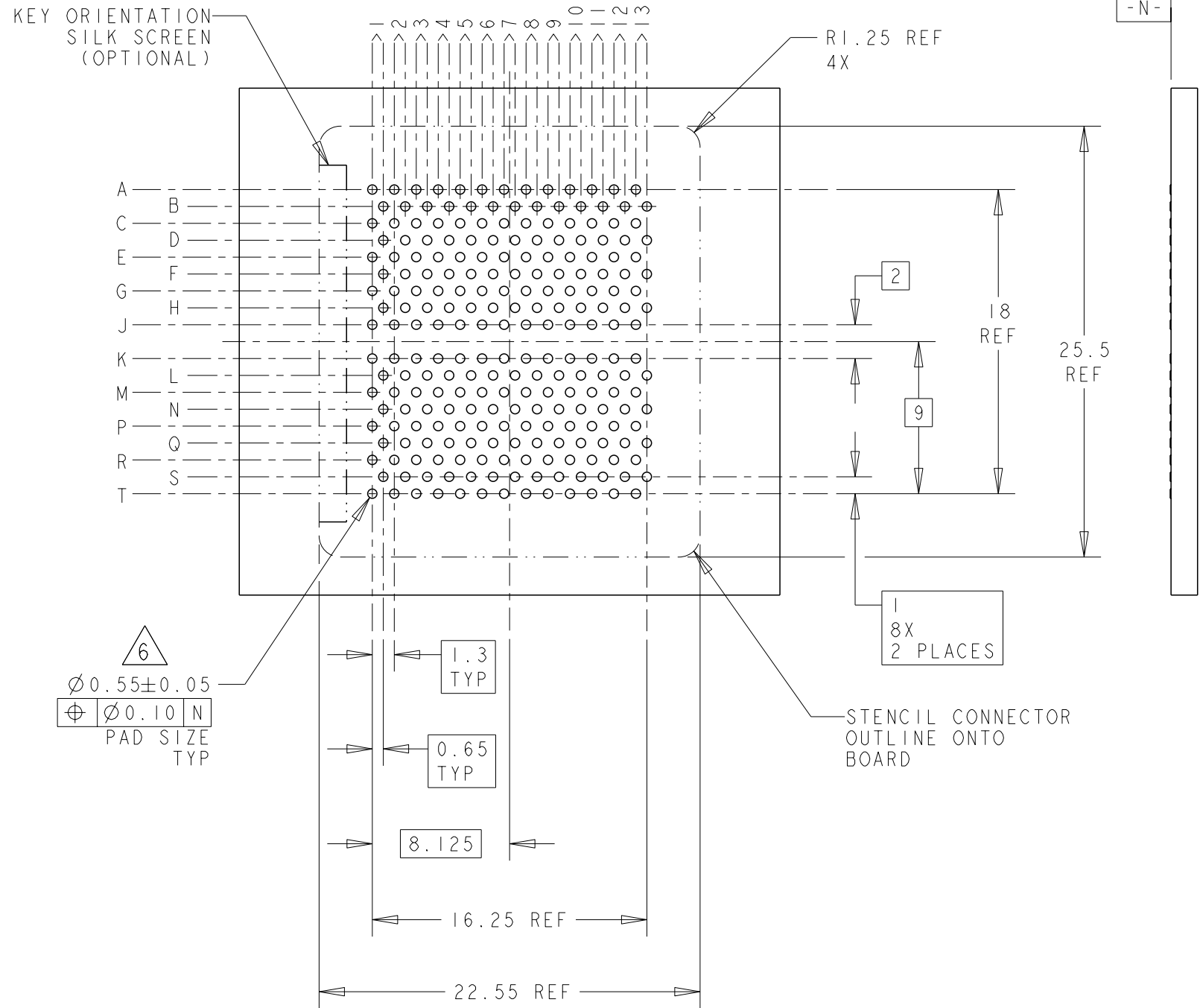
- 1 MATERIAL:
BASE, SPACER, COVER: THERMOPLASTIC
PICK UP CAP: THERMOPLASTIC
CONTACT: COPPER ALLOY
SOLDER BALL: Sn/Pb FOR P/N 1761615-1 THRU 5-1761615-0
Sn/Ag FOR P/N 5-1761615-1 THRU 9-1761615-9
- 2 FINISH:
CONTACT: 0.00076 MIN GOLD OVER 0.00127 MIN NICKEL.
(30µ" MIN GOLD OVER 50µ" MIN NICKEL)
- 3 SOLDER BALLS WILL NOT BE PERFECT
SPHERICAL SHAPE DUE TO REFLOW ATTACHMENT.
- 4 CONTACTS IN ROWS A,C,E,G,J,K,M,P,R, AND T
ARE SINGLE BEAM CONTACTS,
TYPICALLY USED AS GROUND PINS.
(NOTE: CONTACTS IN ROWS J & K ARE TIED
TOGETHER [COMMONED]).
- 5 CONTACTS IN ROWS B,D,F,H,L,N,Q, AND S
ARE DUAL BEAM CONTACTS,
TYPICALLY USED AS SIGNAL PINS.
- 6 SPECIFIED POSITIONAL TOLERANCE DEFINES PAD TO PAD
LOCATION WITHIN LAND PATTERN. POSITIONAL TOLERANCE
OF LAND PATTERN TO FUDICIAL MARKS OR PCB DATUMS
SHALL BE DEFINED BY CUSTOMER. FOR RECOMMENDED
PRODUCT APPLICATION AND PCB DESIGN DETAILS, SEE
APPLICATION SPEC 114-13101.

	DIM H	DIM G	LOAD STYLE	DESCRIPTION	PART NUMBER
	14.51	20.65	-	15mm Sn/Ag	6-1761613-5
	10.51	16.65	-	11mm Sn/Ag	6-1761613-1
	4.51	10.65	-	5mm Sn/Ag	5-1761613-5
OBSOLETE	14.51	20.65	-	15mm Sn/Pb	1-1761613-5
	10.51	16.65	-	11mm Sn/Pb	1-1761613-1
	4.51	10.65	-	5mm Sn/Pb	1-1761613-5

THIS DRAWING IS A CONTROLLED DOCUMENT.		DWN P BRANDBERG 19 JAN05	 TE Connectivity	
DIMENSIONS: mm		CHK D WERTZ 20 JAN05		
TOLERANCES UNLESS OTHERWISE SPECIFIED:		APVD D WERTZ 20 JAN05	NAME STEP-Z, RECEPTACLE ASSEMBLY, 104 SIGNAL POSITION	
0 PLC ±- 1 PLC ±0.3 2 PLC ±0.10 3 PLC ±0.050 4 PLC ±- ANGLES ±2°		PRODUCT SPEC 108-2143	RESTRICTED TO	
MATERIAL		APPLICATION SPEC 114-13101	SIZE A3	CAGE CODE 00779
FINISH		WEIGHT -	DRAWING NO C-1761613	REV A5
CUSTOMER DRAWING			SCALE 1:1	SHEET 2 OF 3

printed on 27 Apr 2021 20:50 from FRO19828

P	LTR	DESCRIPTION	DATE	DWN	APVD
-	-	SEE SHEET 1	-	-	-



RECEPTACLE INTERFACE
SCALE 8:1

BOARD PATTERN
SCALE 3:1

THIS DRAWING IS A CONTROLLED DOCUMENT.		DWN P BRANDBERG 19 JAN 05	TE Connectivity	
DIMENSIONS: mm		CHK D WERTZ 20 JAN 05		
TOLERANCES UNLESS OTHERWISE SPECIFIED:		APVD D WERTZ 20 JAN 05	NAME STEP-Z, RECEPTACLE ASSEMBLY, 104 SIGNAL POSITION	
0 PLC ±- 1 PLC ±0.3 2 PLC ±0.10 3 PLC ±0.050 4 PLC ±- ANGLES ±2°		PRODUCT SPEC 108-2143	SIZE A3	
MATERIAL		APPLICATION SPEC 114-13101	CAGE CODE 300779	DRAWING NO C-1761613
FINISH		WEIGHT -	RESTRICTED TO	
		CUSTOMER DRAWING	SCALE 1:1	SHEET 3 OF 3
			REV A5	

Printed on 27 Apr 2021 20:50 from FRO19828