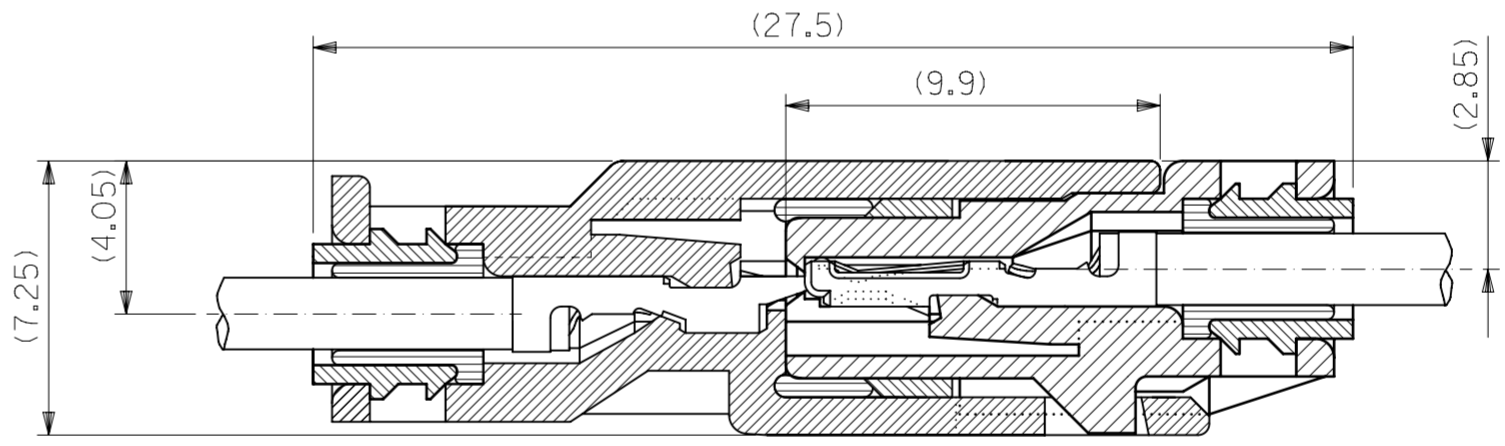


断面A-A (端子装着状態図)
SECT.A-A (TERM.ASSEMBLY DRAWING)



嵌合状態図
FULLY MATED CONDITION

注記
NOTE

- 適合端子 : 50148-8*00
APPLICABLE TERMINAL : 50148-8*00
- 嵌合相手 : 52266-021*
MATES WITH : 52266-021*
- 製品仕様書 : PS-52213-003
PRODUCT SPECIFICATION : PS-52213-003
- 取扱説明書 : AS-52213-001
APPLICATION SPECIFICATION : AS-52213-001

黒 BLACK	52213-0211	2
ハウジングの色 HSG COLOR	製品番号 MATERIAL NO.	極数 No. OF CKT.

THIS DRAWING CONTAINS INFORMATION THAT IS PROPRIETARY TO MOLEX ELECTRONIC TECHNOLOGIES, LLC AND SHOULD NOT BE USED WITHOUT WRITTEN PERMISSION

DIMENSION UNITS mm	SCALE 5:1	CURRENT REV DESC:
GENERAL TOLERANCES (UNLESS SPECIFIED)	GENERAL TOLERANCES (UNLESS SPECIFIED)	EC NO: 174283
10 UNDER ±0.2	ANGULAR TOL ± 3.0°	DRWN: RHORI 2018/03/27
10 OVER 30 UNDER ±0.25	4 PLACES ± 0.2	CHK'D: HKOMATSU 2018/03/29
30 OVER ±0.3	3 PLACES ± 0.25	APPR: TOSADA 2018/03/29
ANGULAR ±3°	2 PLACES ± 0.3	INITIAL REVISION:
	1 PLACE ±	DRWN: SINAKA 2011/11/07
	0 PLACES ±	APPR: MAYAMAMOTO 2011/12/02
INITIAL REVISION:	DRAFT WHERE APPLICABLE MUST REMAIN WITHIN DIMENSIONS	THIRD ANGLE PROJECTION
DRWN Y.ASHIZAWA 1990/05/15		DRAWING
CHECK M.SAKANO 1994/03/02		SERIES
APPR M.ENOMOTO 1994/03/02		A2-SIZE 52213

molex			
2.5 MINI WATERPROOF CONN. REC HSG ASSY (2 CKT.)			
PRODUCT CUSTOMER DRAWING			
DOCUMENT NUMBER	DOC TYPE	DOC PART	REVISION
SD-52213-002	PSD	001	F2
MATERIAL NUMBER	CUSTOMER	SHEET NUMBER	
SEE CHART	GENERAL MARKET	1 OF 1	

シリコンゴム SILICONE	黄 YELLOW	WIRE END SEAL	③
ポリエステル (15%G.F.) POLYESTER (15%G.F.)	黒 BLACK	CAP	②
ポリエステル (15%G.F.) POLYESTER (15%G.F.)	表参照 SEE CHART	RECEPTACLE HOUSING	①
材 料 MATERIAL	色 COLOR	名 称 TITLE	
構成部品 COMPONENTS			

DOCUMENT STATUS	P1	RELEASE DATE	2018/03/29	11:20:53
-----------------	----	--------------	------------	----------