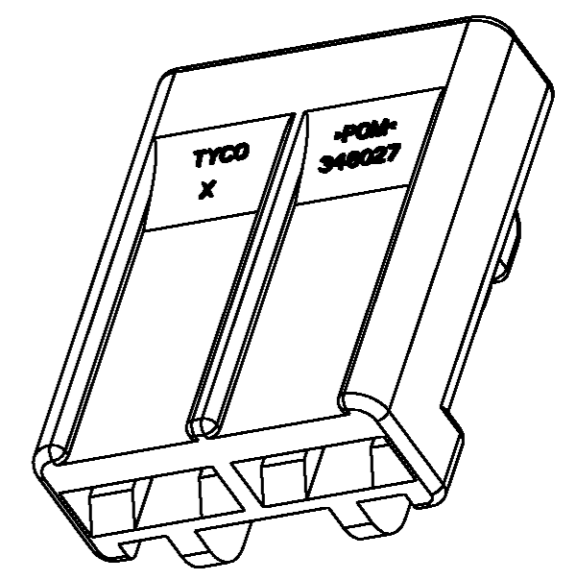
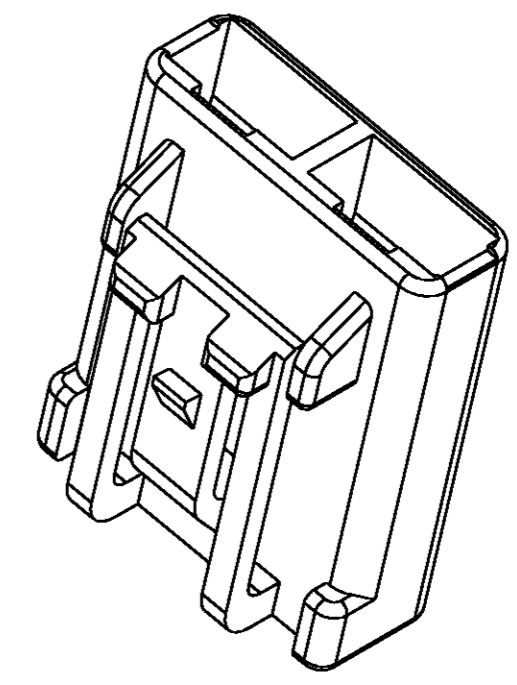
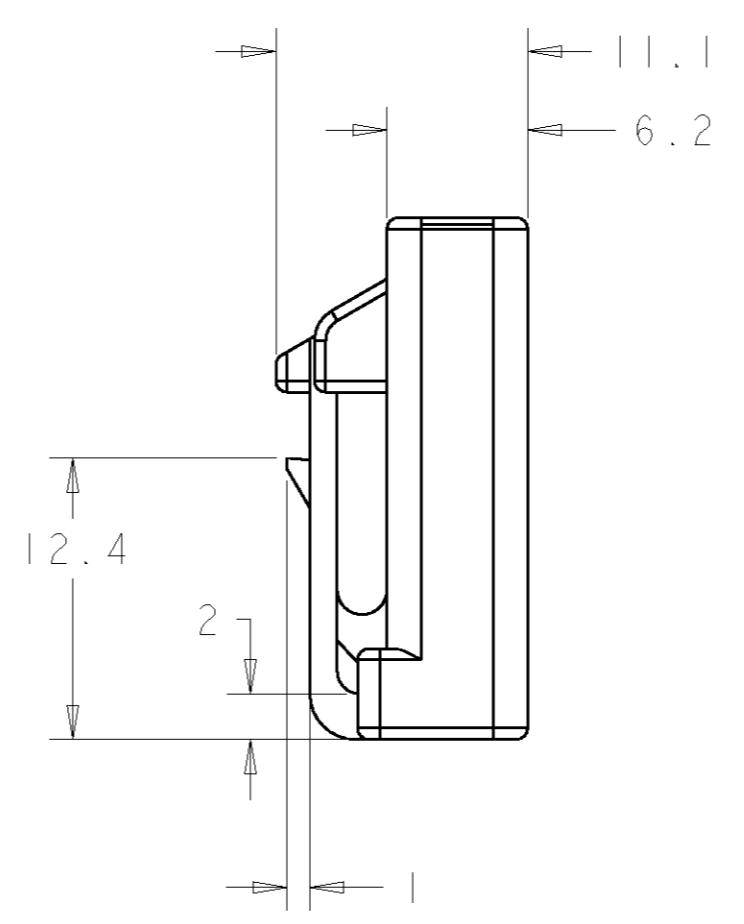
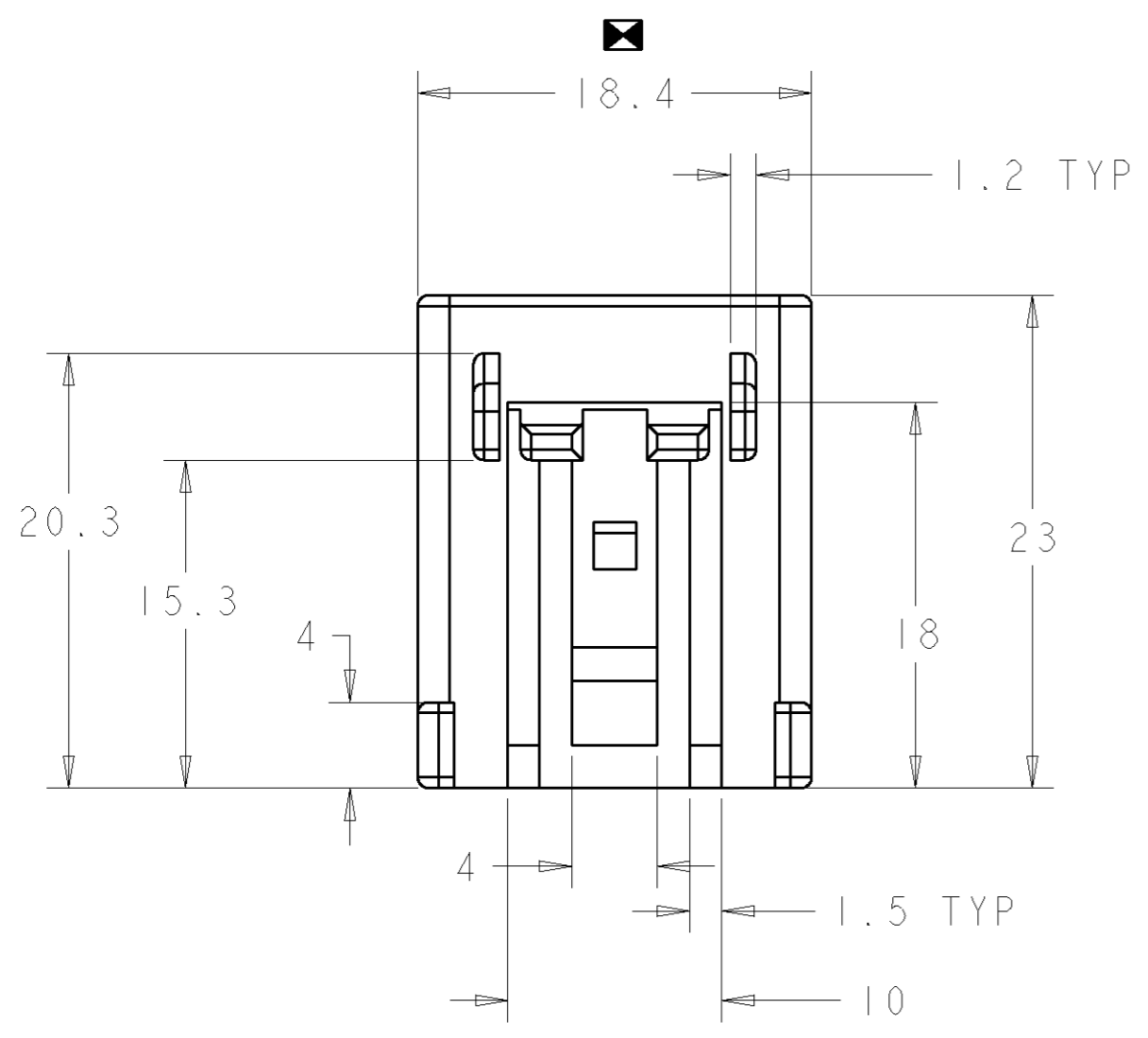
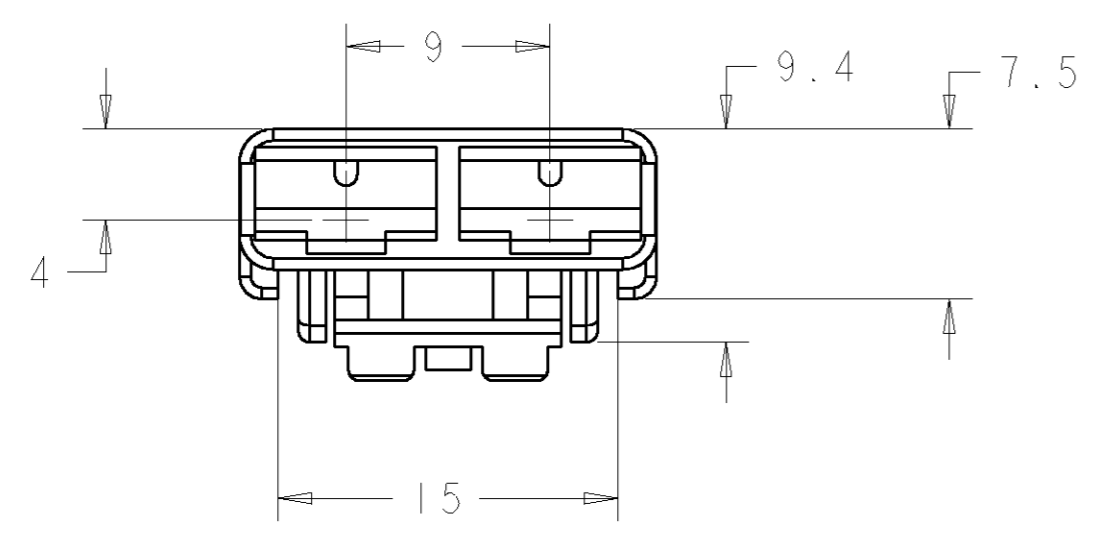


THIS DRAWING IS UNPUBLISHED. RELEASED FOR PUBLICATION 20
 © COPYRIGHT BY ALL RIGHTS RESERVED.

LOC		DIST		REVISIONS			
P	LTR	DESCRIPTION	DATE	DWN	APVD		
E	B	E1	REVISED PER ECO-11-005150	27APR11	RK	HMR	



NOTES:

1. THIS HOUSING ACCOMODATES TWO FASTIN-FASTON RECEPTACLES **TE CONNECTIVITY** PART NO 42100. FORD PART NO SL 100.65
2. THIS HOUSING MATES WITH FUEL PUMP IN-MOULDED TAB HEADER ASSEMBLY - FORD PART NO FIDU-9350-AA
3. DENOTES CONTROL DIMENSION FOR SPC PURPOSES

YELLOW	HOSTAFORM CI3031 XF	346027-2
BLACK	HOSTAFORM C9021	346027-1
COLOUR	MATERIAL	PART NO

DIMENSIONS: mm 	TOLERANCES UNLESS OTHERWISE SPECIFIED: 0 PLC ± 1 PLC ±0.5 2 PLC ±0.5 3 PLC ±0.5 4 PLC ± ANGLES ±2 FINISH	DWN M. GREENER 06AUG2004	
		CHK M. HARRIS 06AUG2004	
MATERIAL SEE TABLE		APVD B. BAKER 06AUG2004	SIZE A2
		PRODUCT SPEC	CAGE CODE 00779
		APPLICATION SPEC	DRAWING NO 346027
		WEIGHT	RESTRICTED TO
		CUSTOMER DRAWING	SCALE 3:1 SHEET 1 OF 1 REV E1