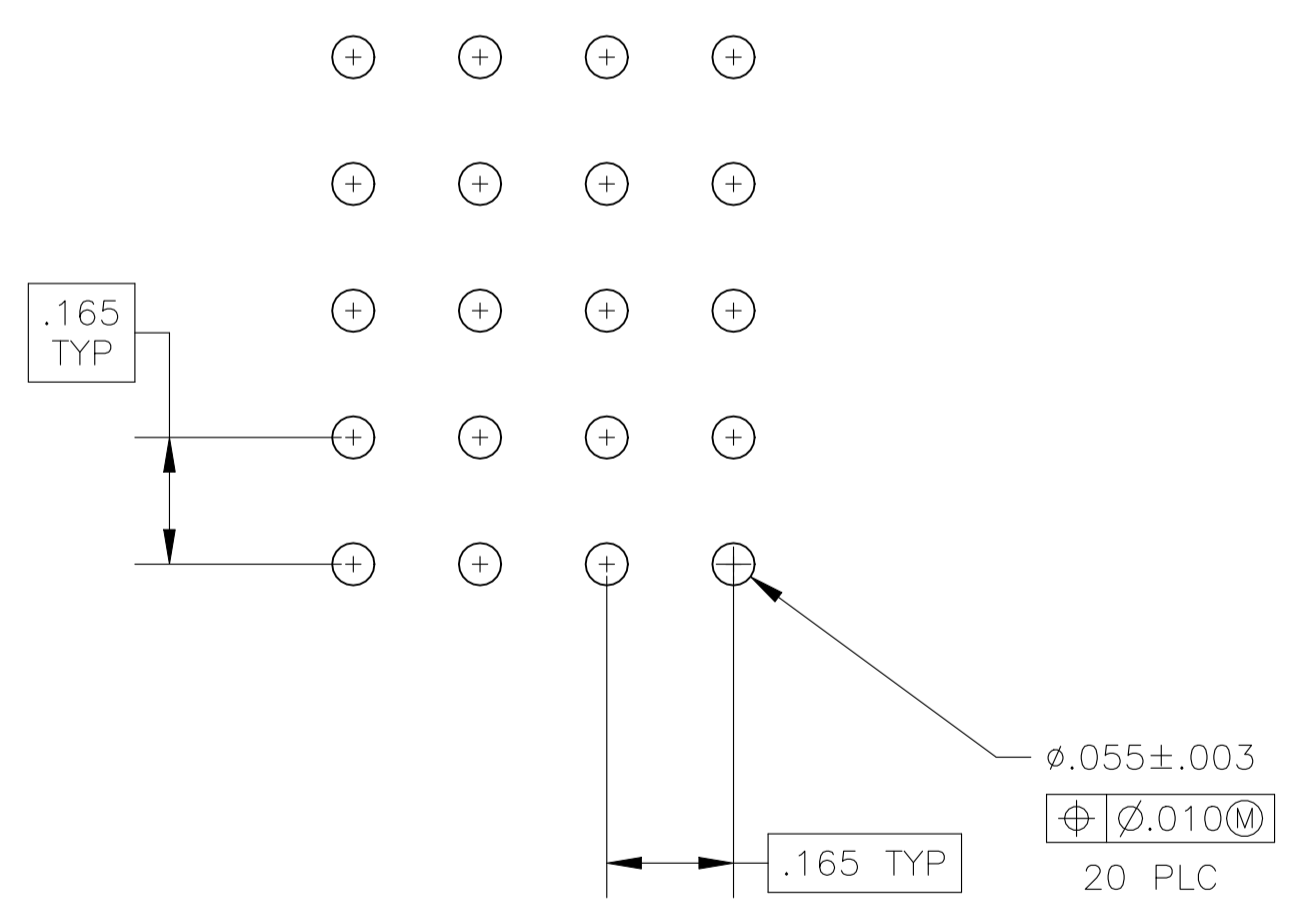
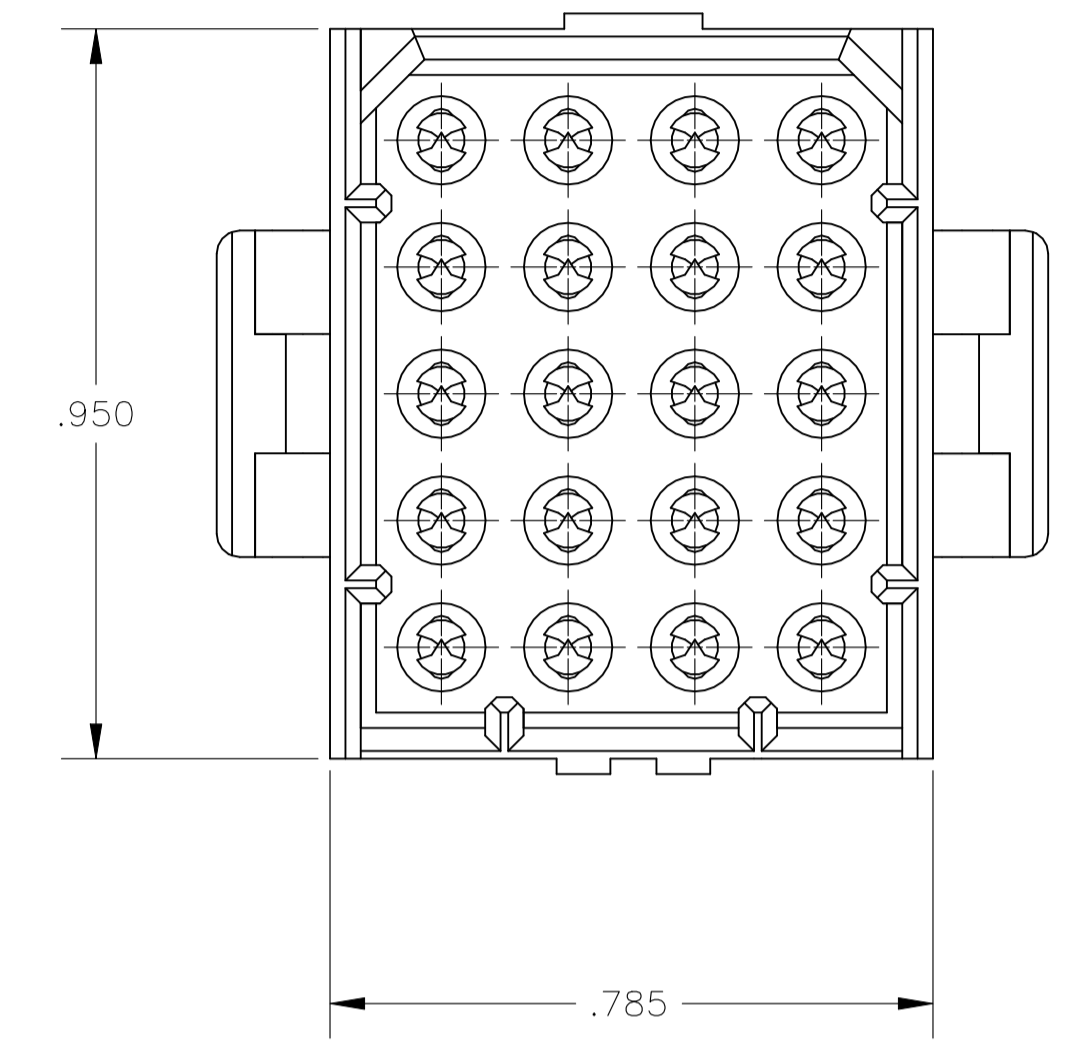
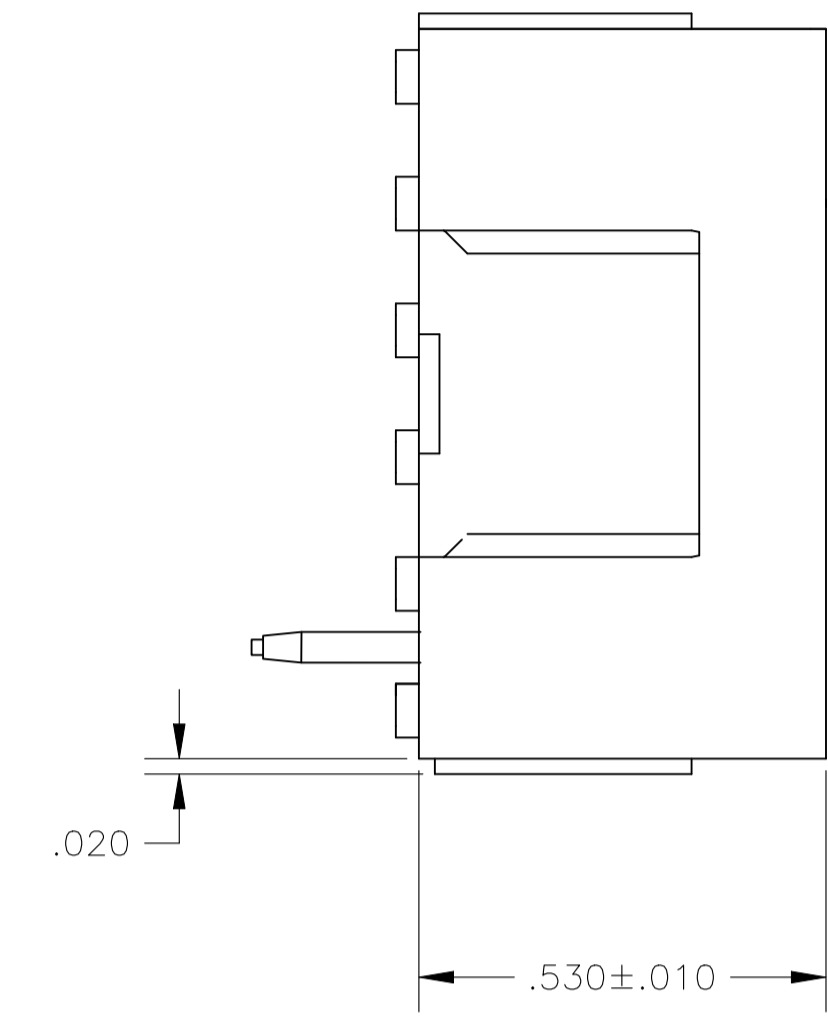
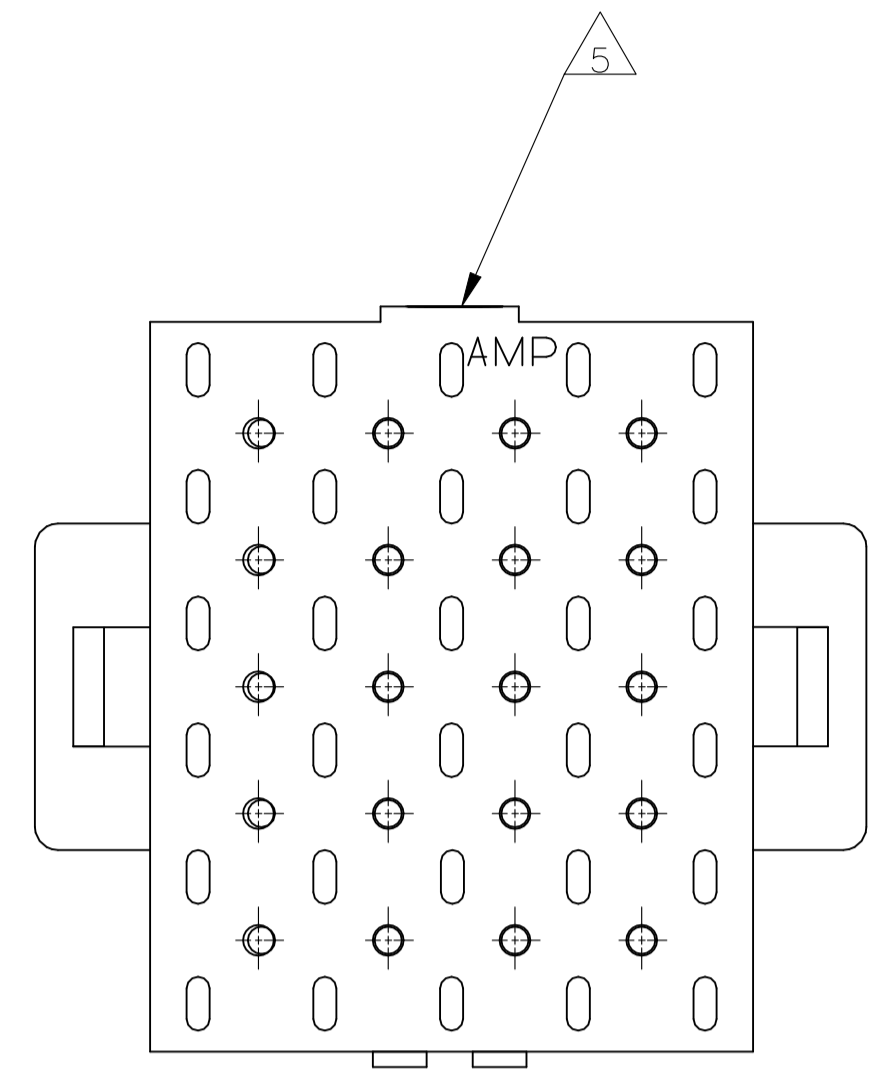
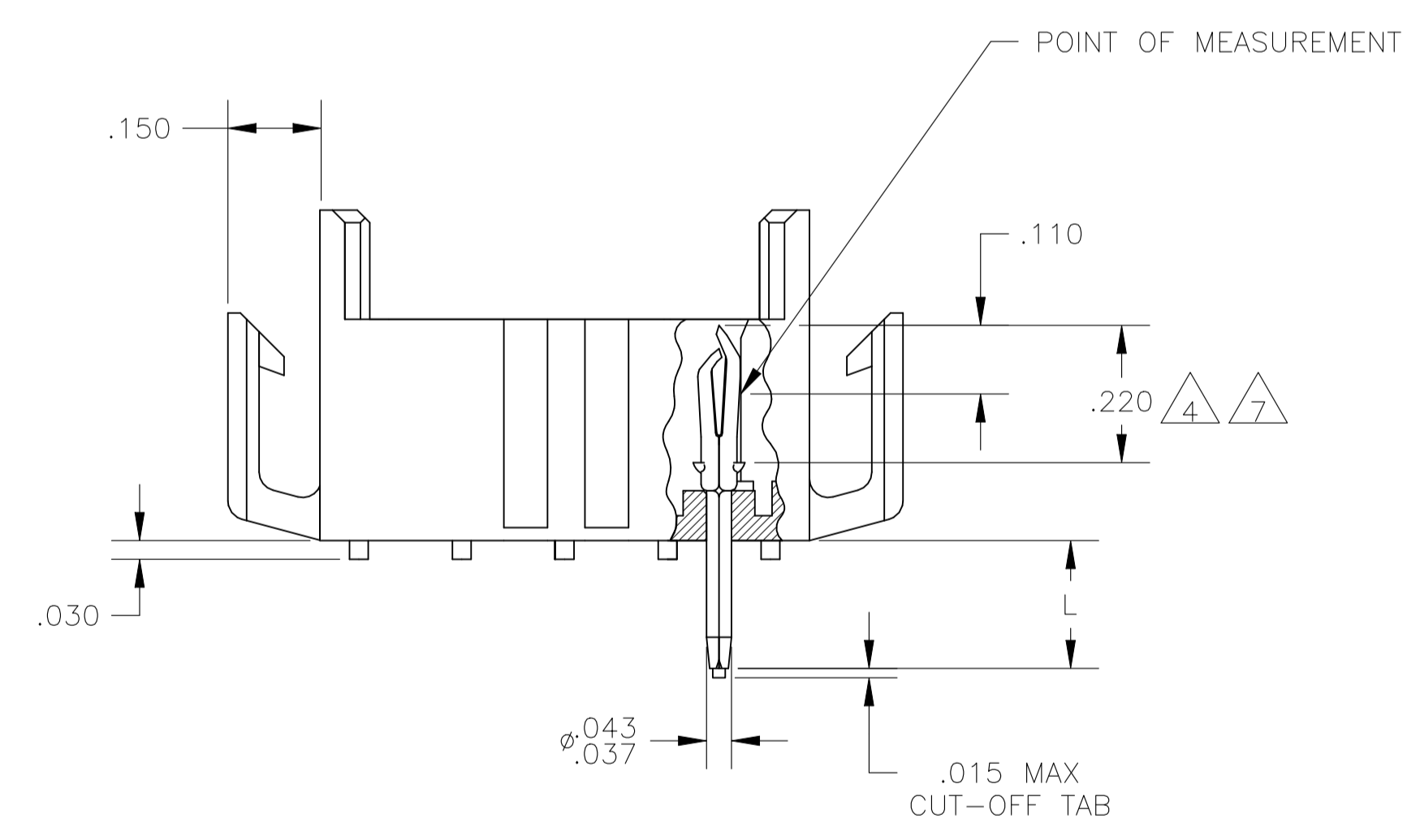


REVISIONS					
P	LTR	DESCRIPTION	DATE	DWN	APVD
S		REVISED PER ECO-21-006898	14DEC2021	RK	MZ

- 1 FITS SOCKET HOUSING 640524.
- 2 ASSEMBLY CONFORMS TO AMP SOLDERABILITY SPEC. 109-11-3.
- 3 FOR USE WITH .063 THICK P.C. BOARD.
- 4 CONTACT IS PLATED OVERALL WITH .000050 NICKEL, THEN .000030 GLD OVER CONTACT LENGTH INDICATED AND .000150 MATTE TIN-LEAD ON SOLDER TAIL END.
- 5 UL AND CSA LOGO LOCATED ON THIS SURFACE.
- 6 FOR USE WITH .120 THICK P.C. BOARD.
- 7 CONTACT IS PLATED OVERALL WITH .000050 NICKEL, THEN .000030 GLD OVER CONTACT LENGTH INDICATED AND .000150 MATTE TIN ON SOLDER TAIL END.
- 8 HOUSING MATERIAL: PA66, BLACK, UL 94 V-0 RATED
CONTACT MATERIAL: PHOSPHOR BRONZE



RECOMMENDED P.C. BOARD LAYOUT



IN	MM	IN	MM	IN	MM	IN	MM
.010	0.25	.055	1.40	.220	5.59	-	-
.008	0.20	.043	1.09	.210	5.33	-	-
.005	0.13	.037	0.94	.165	4.19	-	-
.003	0.08	.030	0.76	.150	3.81	.950	24.13
.000050	0.00127	.020	0.51	.110	2.79	.785	19.94
.000030	0.00076	.015	0.38	.063	1.60	.530	13.46

CONVERSION TABLE

	.210	6	GOLD	7	2-640504-4
	.150	3	GOLD	7	2-640504-2
	.210	6	GOLD	4	640504-4
	.210	6	PRE-TIN		640504-3
OBSOLETE	.150	3	GOLD	4	640504-2
	.150	3	PRE-TIN		640504-1
	"L" +.010 -.020		PIN FINISH		PART NUMBER

THIS DRAWING IS A CONTROLLED DOCUMENT.

DIMENSIONS: INCHES	TOLERANCES UNLESS OTHERWISE SPECIFIED:	DIN J. HUFFMAN 28APR98	TE Connectivity
		CHK R. SWING 28APR98	
		APVD T. REDDICK 28APR98	NAME
			HEADER ASSEMBLY, PIN, 20 POSITION, MR.
			PRODUCT SPEC
			APPLICATION SPEC
			SIZE CAGE CODE DRAWING NO
			A1 00779 C=640504
			RESTRICTED TO
			WEIGHT
			CUSTOMER DRAWING
			SCALE 4:1 SHEET 1 of 1 REV S