

4

3

2

1

THIS DRAWING IS UNPUBLISHED.

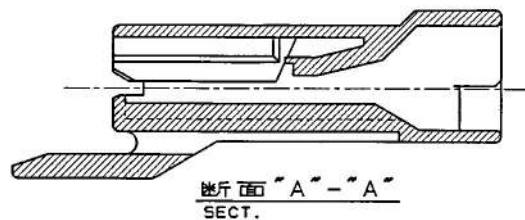
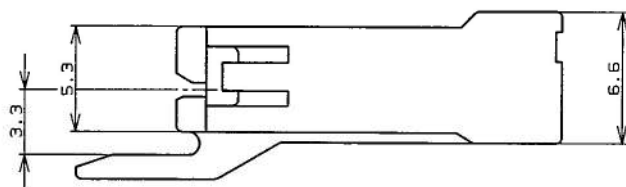
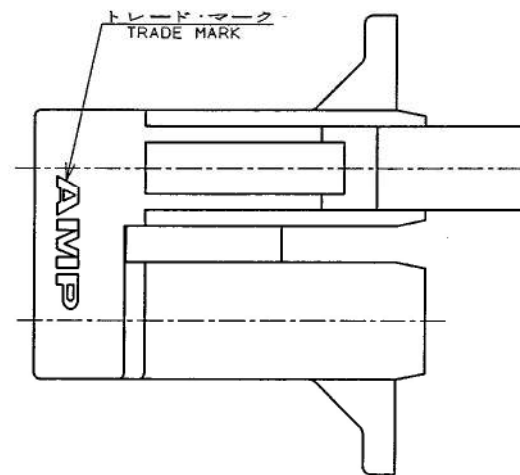
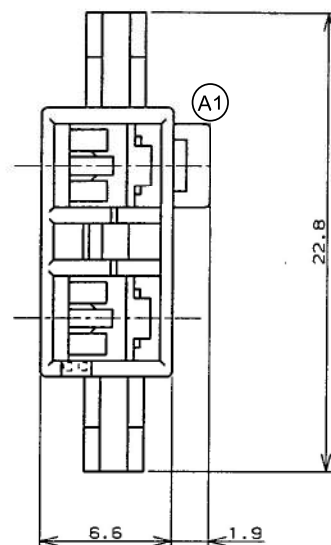
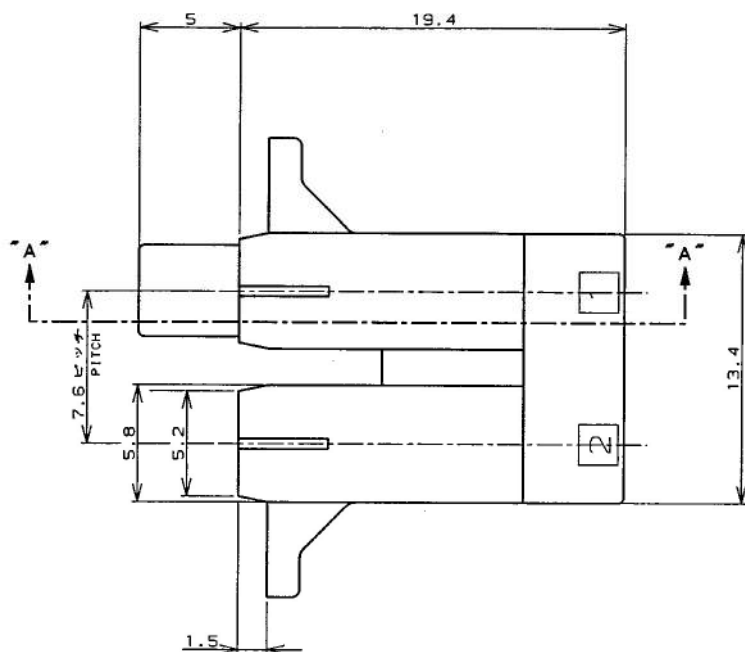
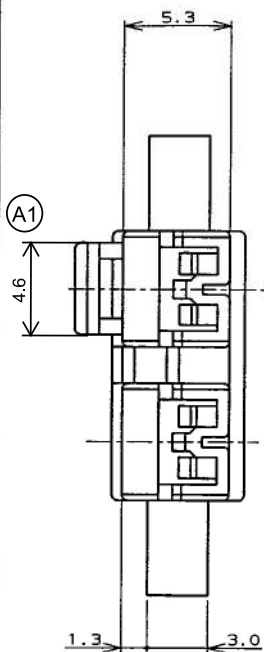
RELEASED FOR PUBLICATION

.19

© COPYRIGHT 19

BY AMP INCORPORATED. ALL RIGHTS RESERVED.

REVISIONS						
LOC	QTY	P	LTR	DESCRIPTION	ECN	DATE
J			A2	REVISED	ECR-18-015331	29.09.2018
			A1	REVISED	ECR-18-002152	15.03.2018



THIS DRAWING IS A CONTROLLED DOCUMENT FOR AMP INCORPORATED. IT IS SUBJECT TO CHANGE AND THE CONTROLLING ENGINEERING ORGANIZATION SHOULD BE CONTACTED FOR THE LATEST REVISION.	
DIMENSIONS: 単位: ㎜	TOLERANCES UNLESS OTHERWISE SPECIFIED
	一般公差
	10㎜ : ±0.2
	30 : ±0.25
100 : ±0.3	
ANGLE : ±0.3°	
MATERIAL 材料	FINISH 仕上
6/6ナイロン (UL94V-0)	---
6/6 NYLON	---

OWN	M. SUZUKI	23.AUG.'96
CHK	Y. KASHIWA	23.AUG.'96
APVD	H. TAGUCHI	26.AUG.'96
PRODUCT SPEC	108-5530	
APPLICATION SPEC	114-S229	
WEIGHT	---	
CUSTOMER DRAWING		

WIRE RANGE 相合電線断面図様	INSULATION DIA 被覆外径
---	---
AMP	
日本アール・エム・ピー株式会社 Kawasaki, Japan	
NAME 名称	
110 シリーズ ポジティブ ロック EX-Ⅱ ダブル ロック タイプ 2極 ハウジング 110 SERIES POSITIVE LOCK EX-Ⅱ DOUBLE LOCK TYPE 2Pos. HOUSING	
SIZE	DRAWING NO
A3	00779
CAGE CODE	SCALE
00779	1:4
③-353253	SHEET
	1 OF 1
REV	A2

参考 図 面