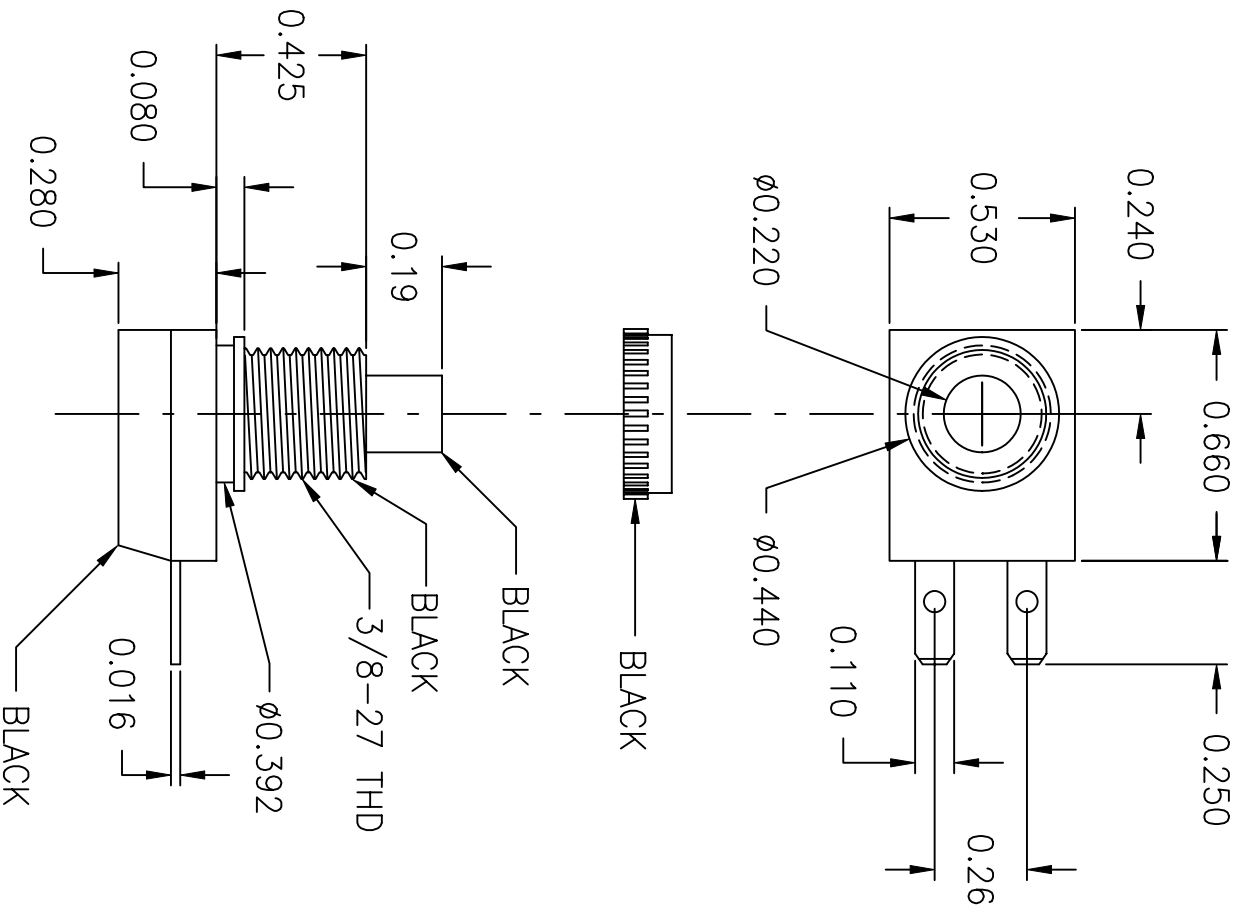


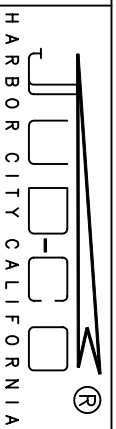
LTR	EN	DESCRIPTION	APPR	BY	DATE
A	-	INITIAL RELEASE	RB	EM	2-10-04



JUDCO INVENTORY NO. 40-3429-00
 SWITCH TYPE: MOMENTARY, NORMALLY OPEN
 NUTS PACKED SEPARATELY.

CUSTOMER: DIGI KEY
 CUST. PN: 509 PB-ND
 APPROVED BY: _____
 DATE: _____

DIMENSIONS IN INCHES
 DIMENSIONS ARE REFERENCE



TITLE
 HARBOR CITY CALIFORNIA
 OUTLINE
 J-188A-2

DRAWN: EM 02-10-04
 APPR: KJ 02-10-04
 DWG. NO. 1415-567

1415US567A.DWG

SHEET

1 OF 1

This document embodies a product, component, and/or design proprietary to JUDCO MANUFACTURING INC., and which is protected either as a trade secret, by U.S. Patent, or by copyright. It may not be used in any way without written express consent of JUDCO MANUFACTURING INC.