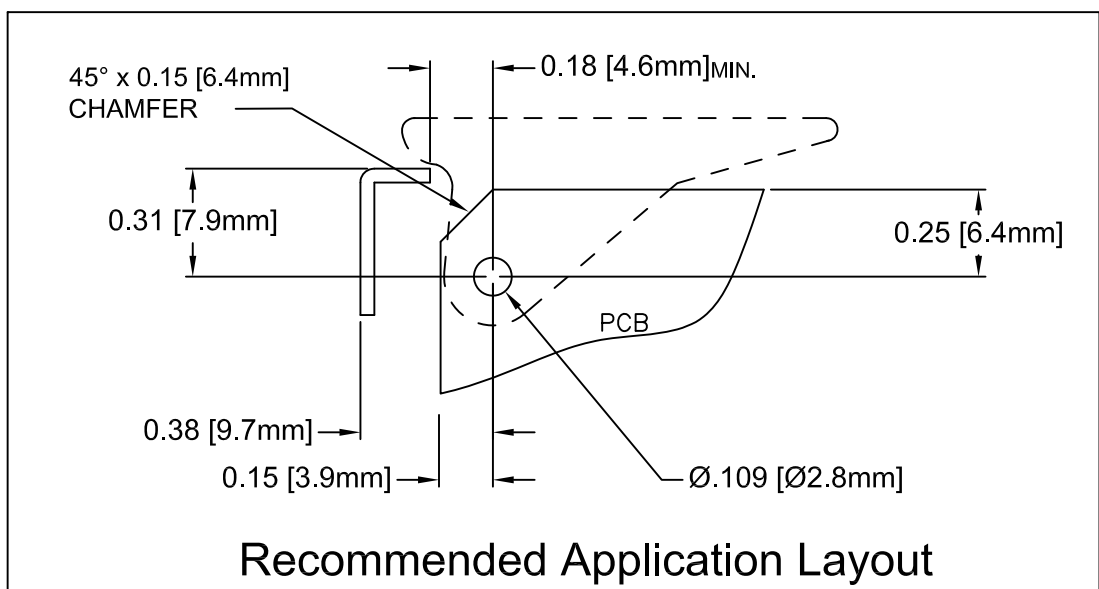
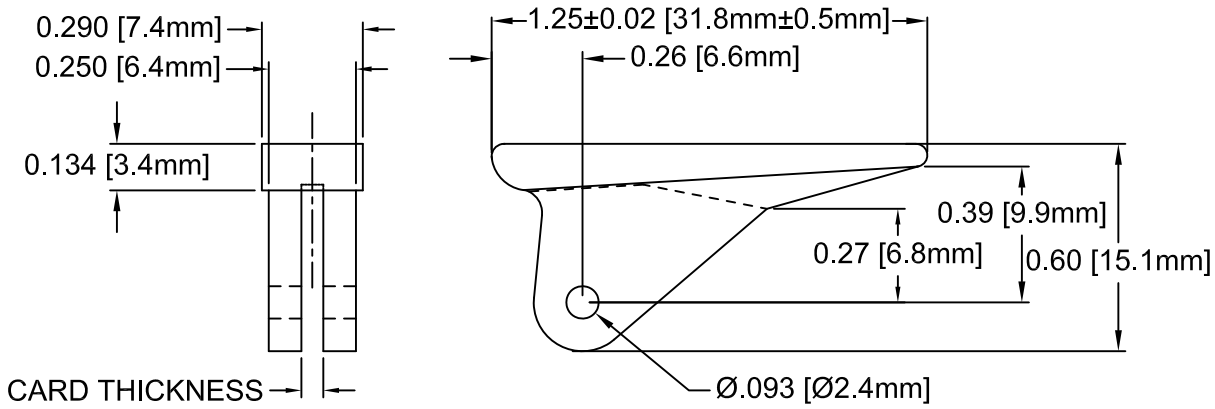


REV.	DESCRIPTION	DATE	APPROVED
E	Production Release	02/24/04	M. C.
F	Added Notes 4, 5, 6 & Color Options Sheet #2	05/16/16	J. C.
G	Updated Color Options Sheet #2	07/06/18	M. C.
H	Updated tolerance per ECO-1126	04/12/22	A. V.



PART NO.	COLOR	ROLL PIN	CARD THICK.
CP-66 XX	SEE S.#2	RP-250	1/16"(1.6mm)
CP-69 NT	NATURAL	RP-250	3/32"(2.4mm)
CP-69 WE	WHITE	RP-250	

5. PRE-ASSEMBLED ROLL PINS AVAILABLE UPON REQUEST.
4. ROLL PINS INCLUDED. PACKAGED SEPARATELY.
3. MATERIAL: NYLON 6/6, 94V-2, WHITE.
2. MATERIAL: NYLON 6/6, 94V-2, NATURAL.
1. GENERAL SPECIFICATIONS: BIVAR MOLDED COMPONENT SPECIFICATION BV00-E101.

STANDARD TOLERANCE (UNLESS OTHERWISE SPECIFIED)		 4 THOMAS, IRVINE, CA. 92618 TEL: (949) 951-8808 FAX: (949) 951-3974			
DECIMALS	ANGULAR				
.X ±.1	X° ± 1°	 TITLE: CIRCUIT BOARD CARD EJECTOR			
.XX ±.01					
.XXX ±.005		DESIGNED: S. IRVING	DATE: 10/21/98	PART NO: CP-6X	REVISION: H
		REVISED: E. CHAN	DATE: 04/12/22	CAGE CODE: 32559	
		CHECKED: A. VALDEZ	DATE: 04/12/22	SCALE: 1:1	SHEET # 1 OF 2
CAD GENERATED DOCUMENT, DO NOT MEASURE DRAWING					

OTHER AVAILABLE COLORS
 * SEE TABLE FOR ORDERING INFORMATION

REV.	DESCRIPTION	DATE	APPROVED
	SEE SHEET #1		

CP- 6 _ _ _

SERIES
CP-66

ORDER CODE	COLOR	PANTONE CODE
BK	BLACK	
BE	BLUE	PQ-BLUE072C
GN	GREEN	PQ-2258C
RD	RED	PQ-19-1664TCX
WE	WHITE	
YW	YELLOW	PQ-YELLOWC

BIVAR [®]	
PART NO: CP-6X	REVISION: H
SCALE: NONE	SHEET # 2 OF 2
CAD GENERATED DOCUMENT, DO NOT MEASURE DRAWING	