

**Ratings**

Voltage: 600 V  
 Temperature: -40~105 °C  
 Flammability: VW-1

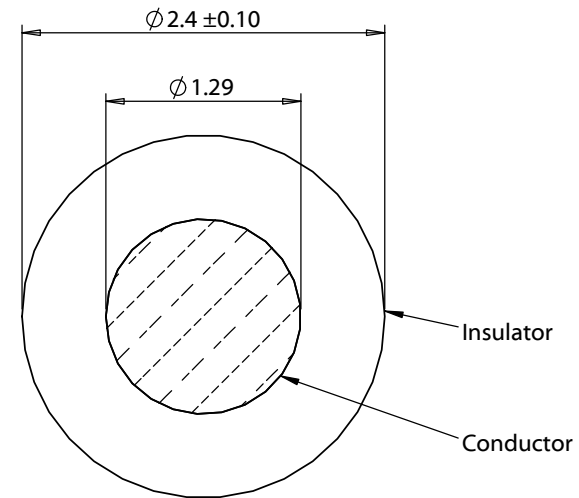
**Conductor**

Conductor count: 1  
 Gauge: 16 AWG 1.31 mm<sup>2</sup>  
 Material: tinned copper  
 Strand size:  $\varnothing$  1.29 mm (solid)  
 Resistance at 20 °C: 14  $\Omega$  /km max

**Insulator**

Material: Polyphenylene Ether, Modified (mPPE)  
 Color: black  
 Diameter:  $\varnothing$  2.4  $\pm$  0.10 mm  
 Nominal thickness: 0.52 mm  
 Resistance at 20 °C: 100 M $\Omega$  /km min

**Wire marking:** E339579 UL AWM STYLE 11028 16 AWG 105°C  
 600V VW-1 --- cUL AWM I A/B 105°C 600V FT1 TENSILITY



Revision:	Date:	Description:	Prepared:	Notes:	<b>TENSILITY</b> tel 1.541.323.3228 800 877.670.7118 fax 1.541.323.4202 web tensility.com
A	6/2/2021	Initial release	AW <small>Digitally signed by AW Date: 2021.06.03 11:23:10 -07'00'</small>	RoHS compliant	
			Verified:	Phthalate and halogen free	Size: Part number: A 30-02053
			JC <small>Digitally signed by JC Date: 2021.06.04 14:18:20 -07'00'</small>	Description:	
			Dimensions are in millimeters. Tolerances: X: $\pm$ 0.5 mm X.X: $\pm$ 0.3 mm X.XX: $\pm$ 0.05 mm	Wire, hook-up, tinned solid core, 16 AWG, UL 11028, 600V, 105C, 2.4 mm, mPPE, black	Scale: 20:1
					Sheet 1 of 1

5

4

3

2

1