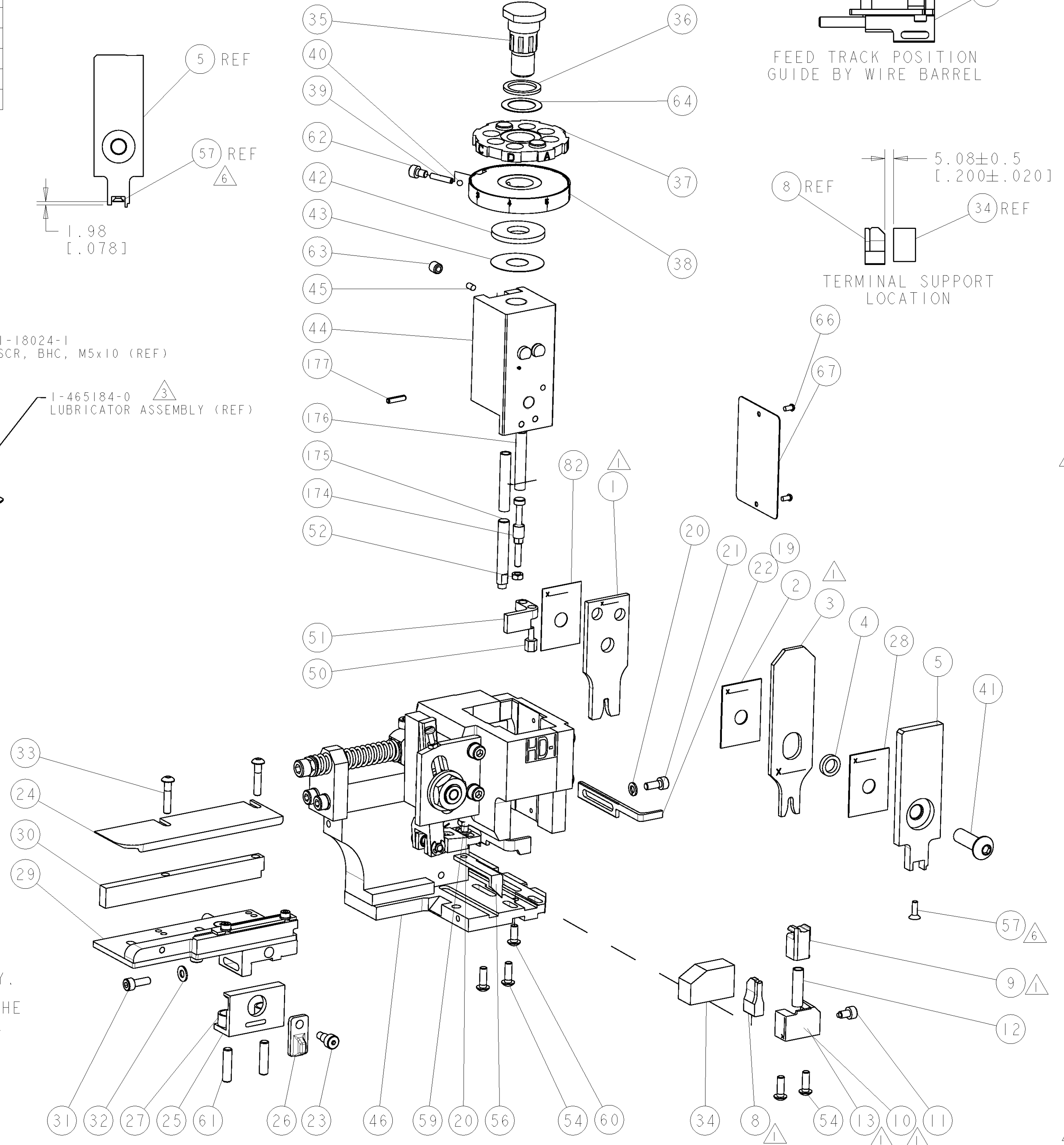
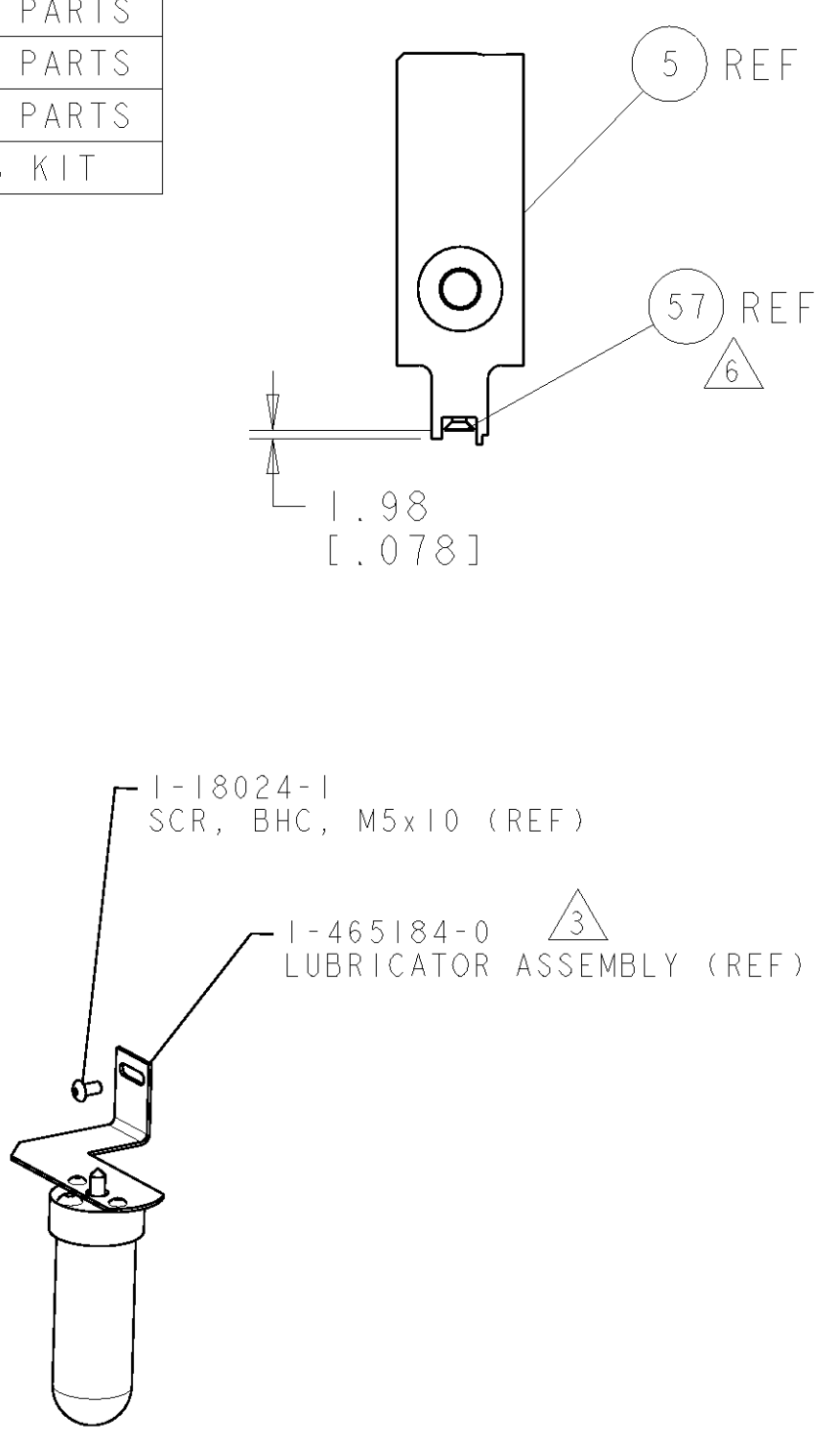
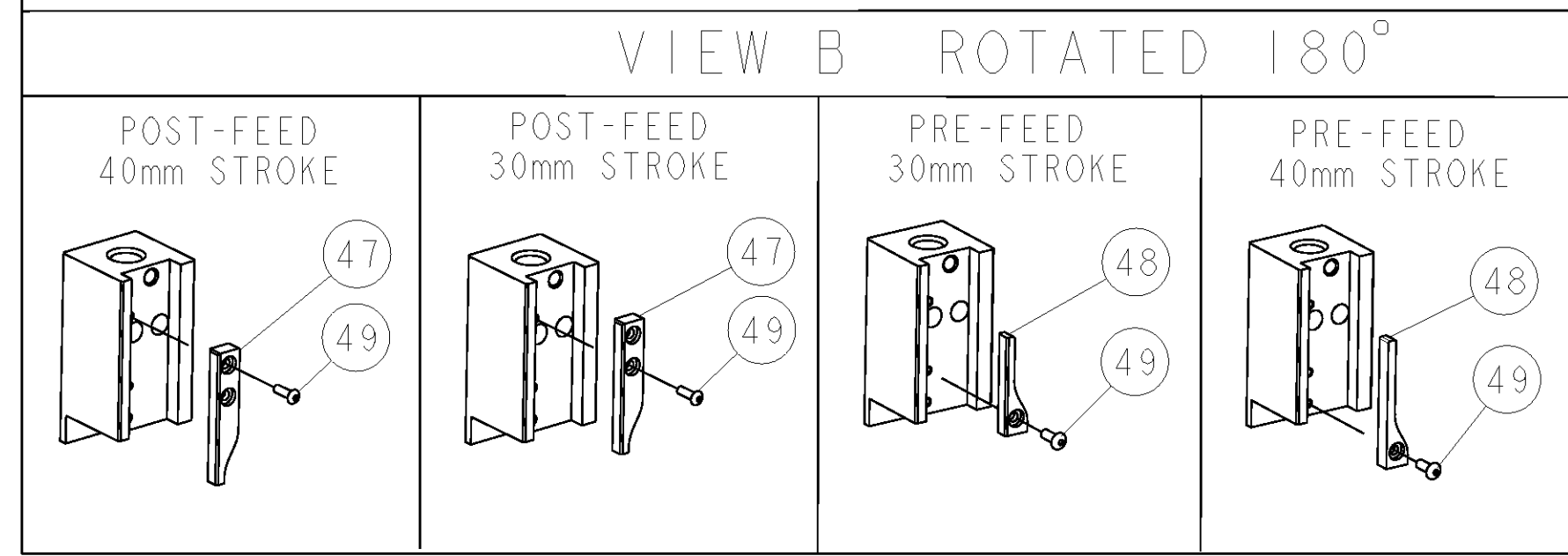


PART NUMBER	REV	TERMINATOR	FEED TYPE	DESCRIPTION
1238091-1	B	LEADMAKER	MECH POST FEED	CUTS CARRIER
1238091-2	B	BENCH	MECH PRE FEED	CUTS CARRIER
1238091-6	B	LEADMAKER	MECH POST FEED	CONTINUOUS CARRIER
7-1238091-1	B	LEADMAKER	MECH POST FEED	-1 AND SPARE PARTS
7-1238091-2	B	BENCH	MECH PRE FEED	-2 AND SPARE PARTS
7-1238091-6	B	LEADMAKER	MECH POST FEED	-6 AND SPARE PARTS
7-1238091-7	B	-	-	SPARE PARTS KIT

CRIMP DATA FEDERAL MOGUL TERMINAL TE CRIMP SPECS			
TERMINAL NAME: TERMINAL			
CRIMP	SIZE	TYPE	RANGE
WIRE	2.79 [.110 IN]	F	16-20 AWG
INSUL	3.43 [.135 IN]	O	Ø3.66 MAX [.144 IN MAX]
WIRE STRIP LENGTH 2.00-3.00 [.078-.118 IN]		APPL INSTRUCTIONS 408-8322	
TERMINAL APPL SPEC	NONE	FEED	15.29 [.602 IN]
TERMINALS APPLIED			
TERMINAL	FED. MOGUL PN	SEAL	TE PN
1949978-1	ZCB-02022	286814-2	7158-3031-90
WIRE SIZE	CRIMP HEIGHT	PINPN & LENGTH [IN]	
18 AWG	1.48 ±0.05 [.058 ±.002 IN]	1-354779-5 [.3065]	

- △ RECOMMENDED SPARE PARTS.
- 2. GREASE RAM, CAM, CAM FOLLOWER AND FEED ROD LIGHTLY.
- 3. CERTAIN TERMINALS REQUIRE LUBRICATION. REFER TO THE APPLICATOR INSTRUCTION SHEET FOR MORE INFORMATION.
- 4. LUBRICATE DAILY PER THE APPLICATOR INSTRUCTION SHEET SUPPLIED WITH THE APPLICATOR.
- 5. THE INSULATION RANGE LISTED IS FOR THE TERMINAL. THE INSULATION RANGE FOR THE SEAL IS Ø1.63-2.4mm.
- 6. APPLY TORQ-SEAL IN ALLEN SOCKET TO FILL HOLE AFTER FLAT HD HAS BEEN ADJUSTED TO CORRECT HEIGHT AT QUALIFICATION. APPLY #1-23419-5 LOC-TITE TO THREADS.



SET UP GAGE 458637-3		LOC	DIST	REVISIONS				
A	66			REV	DESCRIPTION	DATE	DWN	APVD
				A	RELEASED	16JUL2009	LG	GB
				B	ECR-10-000763	13JAN2010	LG	GB

REV	DESCRIPTION	DATE	DWN	APVD
1				
2				
3				
4				
5				
6				
7				
8				
9				
10				
11				
12				
13				
14				
15				
16				
17				
18				
19				
20				
21				
22				
23				
24				
25				
26				
27				
28				
29				
30				
31				
32				
33				
34				
35				
36				
37				
38				
39				
40				
41				
42				
43				
44				
45				
46				
47				
48				
49				
50				
51				
52				
53				
54				
55				
56				
57				
58				
59				
60				
61				
62				
63				
64				
65				
66				
67				
68				
69				
70				
71				
72				
73				
74				
75				
76				
77				
78				
79				
80				
81				
82				

REV	DESCRIPTION	DATE	DWN	APVD
1				
2				
3				
4				
5				
6				
7				
8				
9				
10				
11				
12				
13				
14				
15				
16				
17				
18				
19				
20				
21				
22				
23				
24				
25				
26				
27				
28				
29				
30				
31				
32				
33				
34				
35				
36				
37				
38				
39				
40				
41				
42				
43				
44				
45				
46				
47				
48				
49				
50				
51				
52				
53				
54				
55				
56				
57				
58				
59				
60				
61				
62				
63				
64				
65				
66				
67				
68				
69				
70				
71				
72				
73				
74				
75				
76				
77				
78				
79				
80				
81				
82				

REV	DESCRIPTION	DATE	DWN	APVD
1				
2				
3				
4				
5				
6				
7				
8				
9				
10				
11				
12				
13				
14				
15				
16				
17				
18				
19				
20				
21				
22				
23				
24				
25				
26				
27				
28				
29				
30				
31				
32				
33				
34				
35				
36				
37				
38				
39				
40				
41				
42				
43				
44				
45				
46				
47				
48				
49				
50				
51				
52				
53				
54				
55				
56				
57				
58				
59				
60				
61				
62				
63				
64				
65				
66				
67				
68				
69				
70				
71				
72				
73				
74				
75				
76				
77				
78				
79				
80				
81				
82				

REV	DESCRIPTION	DATE	DWN	APVD
1				
2				
3				
4				
5				
6				
7				
8				
9				
10				
11				
12				
13				
14				
15				
16				
17				
18				
19				
20				
21				
22				
23				
24				
25				
26				
27				
28				
29				
30				
31				
32				
33				
34				
35				
36				
37				
38				
39				
40				
41				
42				
43				
44				
45				
46				
47				
48				
49				
50				
51				
52				
53				
54				
55				
56				
57				
58				
59				
60				
61				
62				
63				
64				
65				
66				
67				
68				
69				
70				
71				
72				
73				
74				
75				
76				
77				
78				
79				
80				
81				
82				

REV	DESCRIPTION	DATE	DWN	APVD
1				
2				
3				
4				
5				
6				
7				
8				
9				
10				
11				
12				
13				
14				
15				
16				
17				
18				
19				
20				
21				
22				
23				
24				
25				
26				
27				
28				
29				
30				
31				