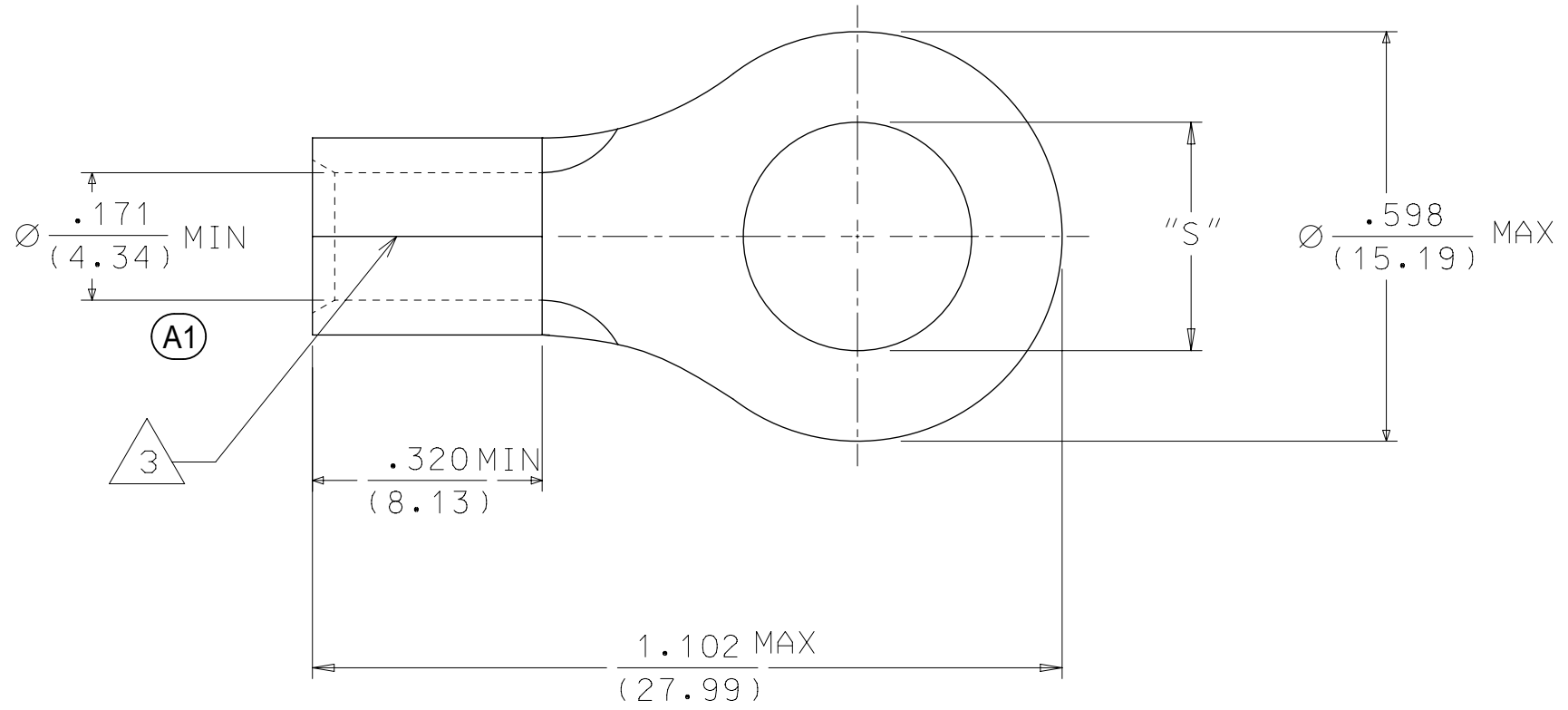
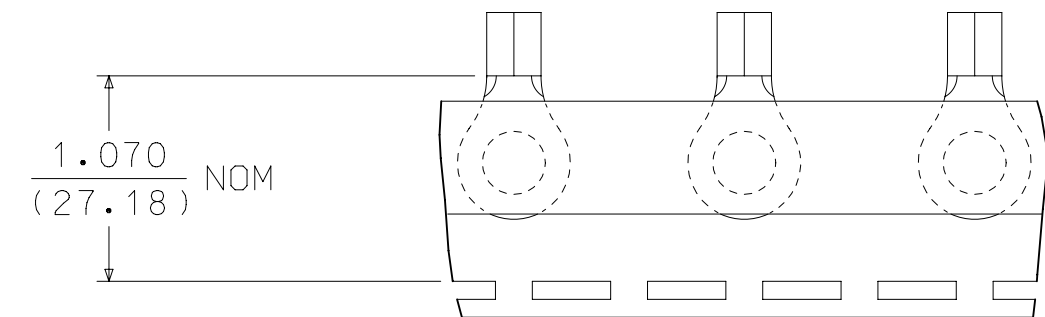


MATERIAL NUMBER	ENGINEERING NUMBER	STUD SIZE	PACKAGING
191930159	D-351-10	10	LOOSE PIECE
191930163	D-351-14	1/4	
191930171	D-351-56	5/16	
191930167	D-351-38	3/8	
191930175	D-351-76	7/16	
191930166	D-351-14T	1/4	TAPE MOUNTED
191930174	D-351-56T	5/16	
191930170	D-351-38T	3/8	
191930177	D-351-76T		



SALES DRAWING

- NOTES:
- MATERIAL: COPPER  
PLATING: ELECTROPLATE TIN
  - ALL DIMENSIONS IN INCHES/(MM).
  - BRAZED SEAM.
  - PARTS ARE ROHS COMPLIANT. (A1)

THIS DRAWING CONTAINS INFORMATION THAT IS PROPRIETARY TO MOLEX ELECTRONIC TECHNOLOGIES, LLC AND SHOULD NOT BE USED WITHOUT WRITTEN PERMISSION											
DIMENSION UNITS <b>INCH/MM</b>		SCALE <b>NTS</b>		CURRENT REV DESC: OBSOLETE PART NUMBERS AS PER PCN#508521							
GENERAL TOLERANCES (UNLESS SPECIFIED)						EC NO: 667388					
						DRWN: SKANDB		2021/04/16		PRODUCT CUSTOMER DRAWING	
4 PLACES ±		±				CHK'D: GGA		2021/07/05		DOCUMENT NUMBER	
3 PLACES ±		±				APPR: GGA		2021/07/05		SD-19193-017	
2 PLACES ±		±				INITIAL REVISION:		2001/06/11		DOC TYPE   DOC PART   REVISION	
1 PLACE ±		±				DRWN: BRE				PSD   001   B	
0 PLACES ±		±				APPR:				MATERIAL NUMBER   CUSTOMER   SHEET NUMBER	
ANGULAR TOL ± °		± °				THIRD ANGLE PROJECTION		DRAWING		SERIES	
DRAFT WHERE APPLICABLE MUST REMAIN WITHIN DIMENSIONS		THIRD ANGLE PROJECTION		DRAWING		SERIES		MATERIAL NUMBER		CUSTOMER	
				B-SIZE		19193		SEE TABLE		GENERAL MARKET   1 OF 1	