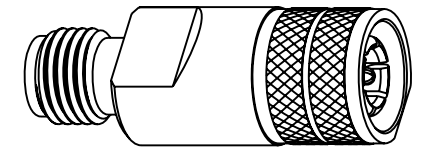


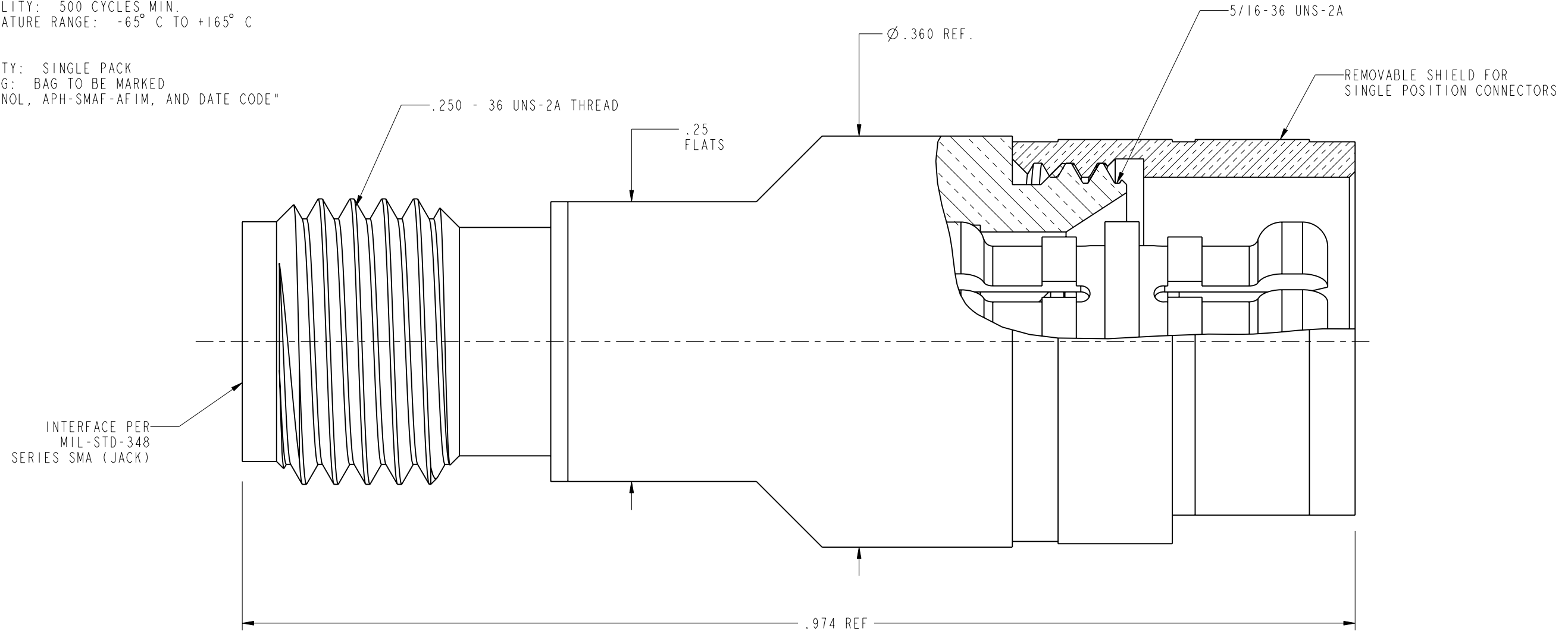
NOTES:

1. MATERIALS AND FINISHES:
 - BODY - BRASS, GOLD PLATING (.000004 MIN THICK) OVER NiPh (.000100 MIN THICK)
 - CONTACT - BeCu, GOLD PLATING (.000004 MIN THICK) OVER NiPh (.000100 MIN THICK)
 - AFI BULLET - BeCu, GOLD PLATING (.000030 THICK)
 - INSULATOR - PTFE
 - SLEEVE - BRASS, NICKEL PLATED
2. ELECTRICAL:
 - A. IMPEDANCE : 50 OHM
 - B. FREQUENCY RANGE : DC - 6.0 GHz
 - C. VSWR : 1.3, MAX.
3. MECHANICAL:
 - A. DURABILITY: 500 CYCLES MIN.
 - B. TEMPERATURE RANGE: -65° C TO +165° C
4. PACKAGING:
 - A. QUANTITY: SINGLE PACK
 - B. MARKING: BAG TO BE MARKED
"AMPHENOL, APH-SMAF-AFIM, AND DATE CODE"

APH-SMAF-AFIM		REVISIONS			
DRAWING NO.	REV	DESCRIPTION	DATE	ECO	APPR
THIRD ANGLE PROJ.	A	RELEASE TO MFG.	5/19/08	46855	NMV



SCALE 2.000



CUSTOMER OUTLINE DRAWING
ALL OTHER SHEETS ARE FOR INTERNAL USE ONLY

UNLESS OTHERWISE SPECIFIED, DIMENSIONS ARE IN INCHES AND TOLERANCES ARE: 2 PLACE DECIMAL 3 PLACE DECIMAL ANGLES ±.015 (0,381 mm) ±.005 (0,127 mm) ± 1°	MATERIAL	DRAWN	DATE	TITLE	Amphenol RF Danbury, CT, USA Tainan, Taiwan Shenzhen, China www.amphenolrf.com		
		M. HOYACK	01-Jun-04			SMA (F) TO AFI (M) ADAPTER	
	ENGINEER	M. HOYACK	01-Jun-04				
	APPROVED	H. PARIKH	5/14/08				
NOTICE - These drawings, specifications, or other data (1) are, and remain the property of Amphenol Corp. (2) must be returned upon request; and (3) are confidential and not to be disclosed to any person other than those to whom they are given by Amphenol Corp. The furnishing of these drawings, specifications, or other data by Amphenol Corp., or to any other person to anyone for any purpose is not to be regarded by implication or otherwise in any manner licensing, granting rights or permitting such holder or any other person to manufacture, use or sell any product, process or design, patented or otherwise, that may in any way be related to or disclosed by said drawings, specifications, or other data.	REFERENCE	CAD FILE		CODE ID	DWG SIZE	DRAWING NO.	REV
	EAR# 1370	I:\SMA\APH-SMAF-AFIM		74868	B	APH-SMAF-AFIM	A

SCALE: 10.0:1 SHEET 2 OF 2