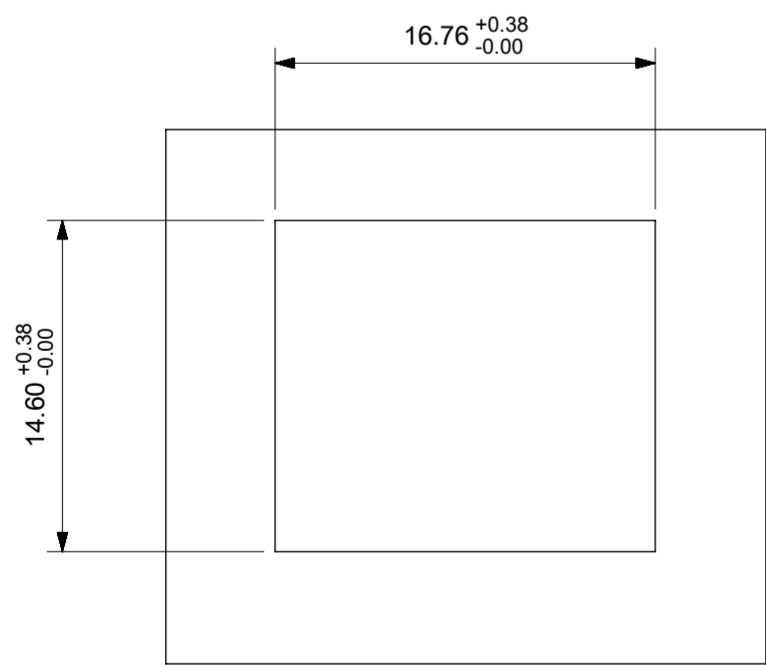
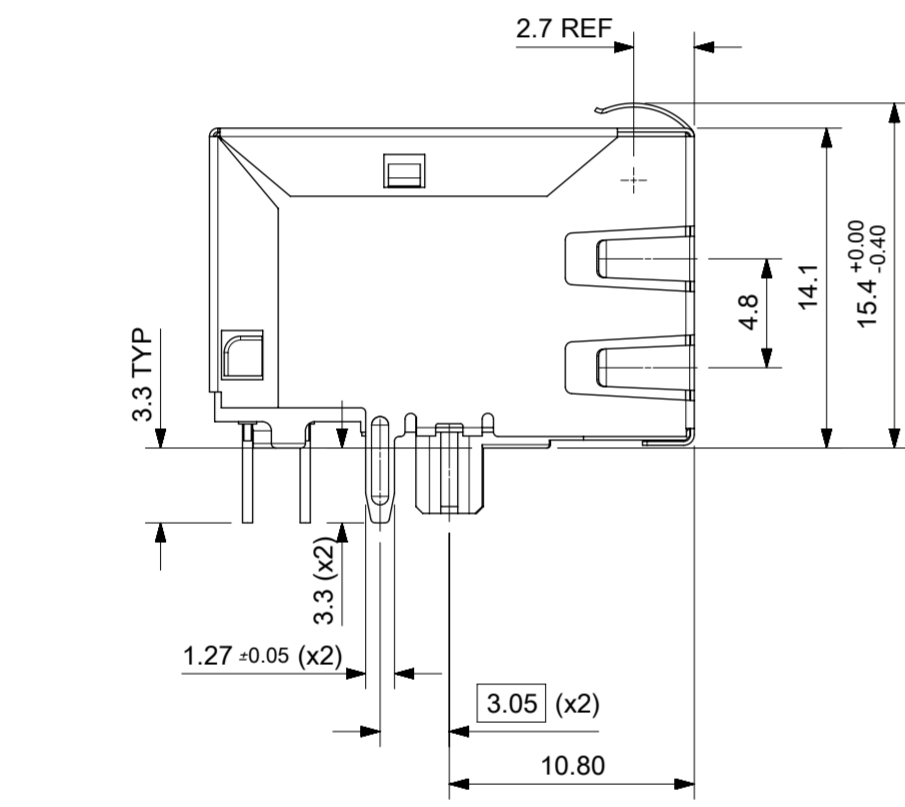
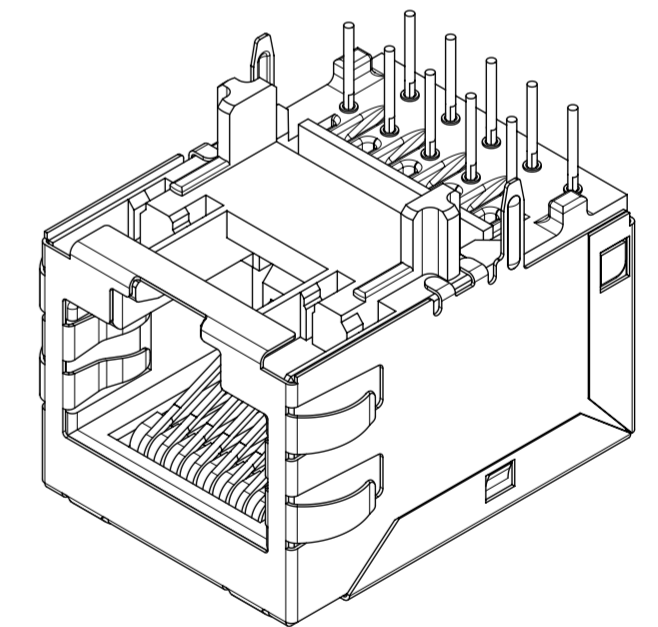
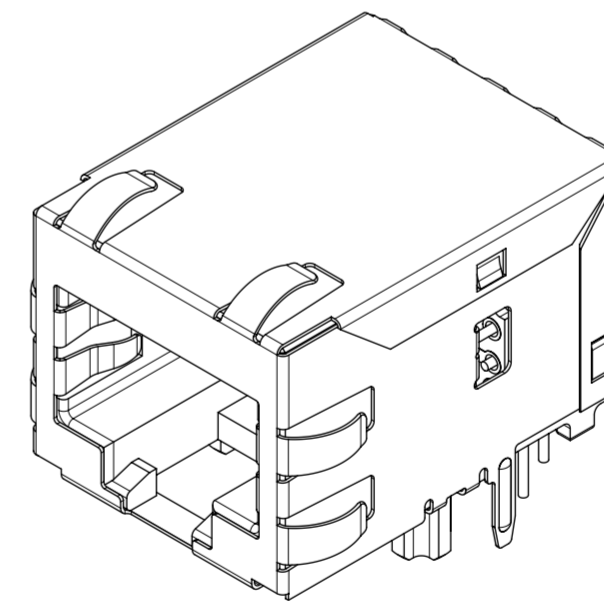
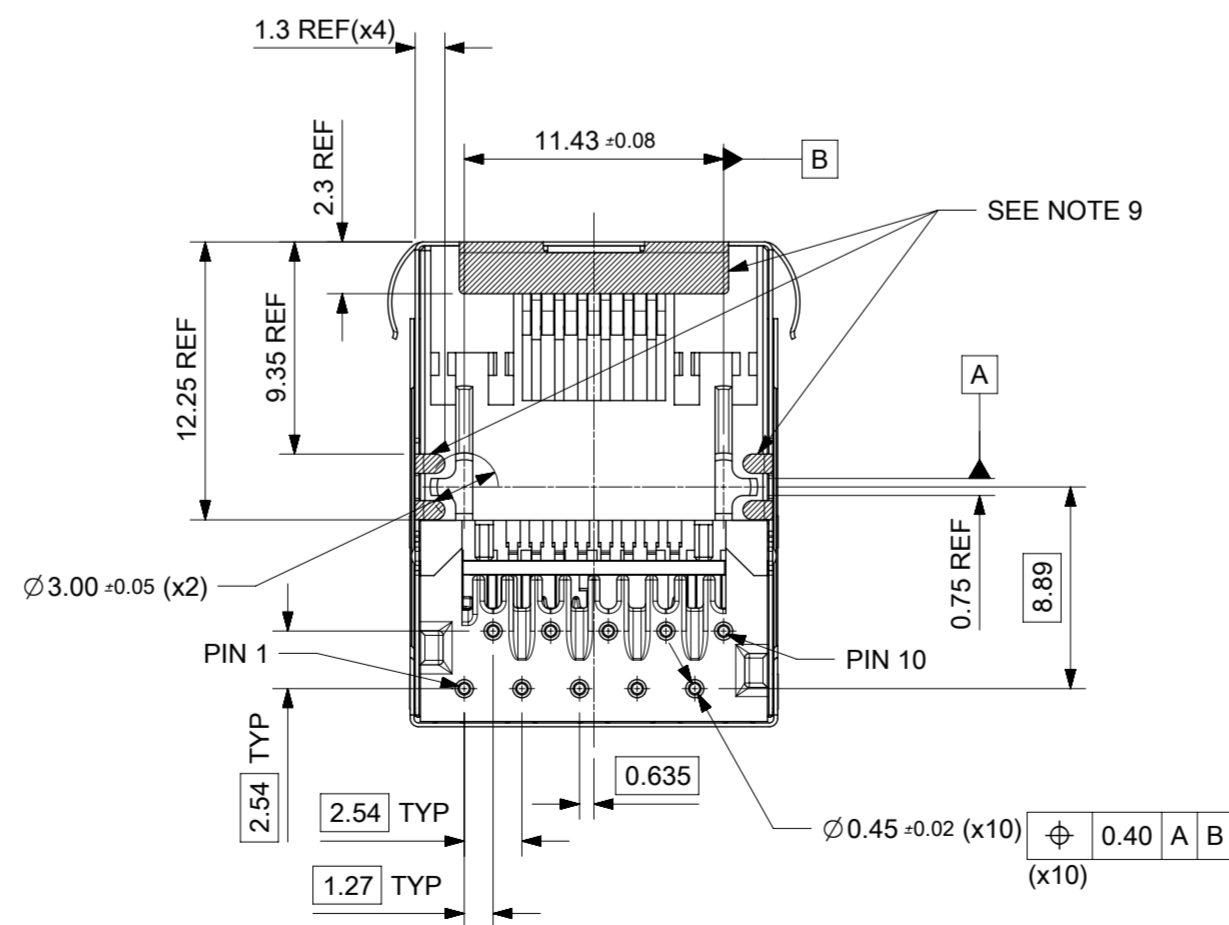
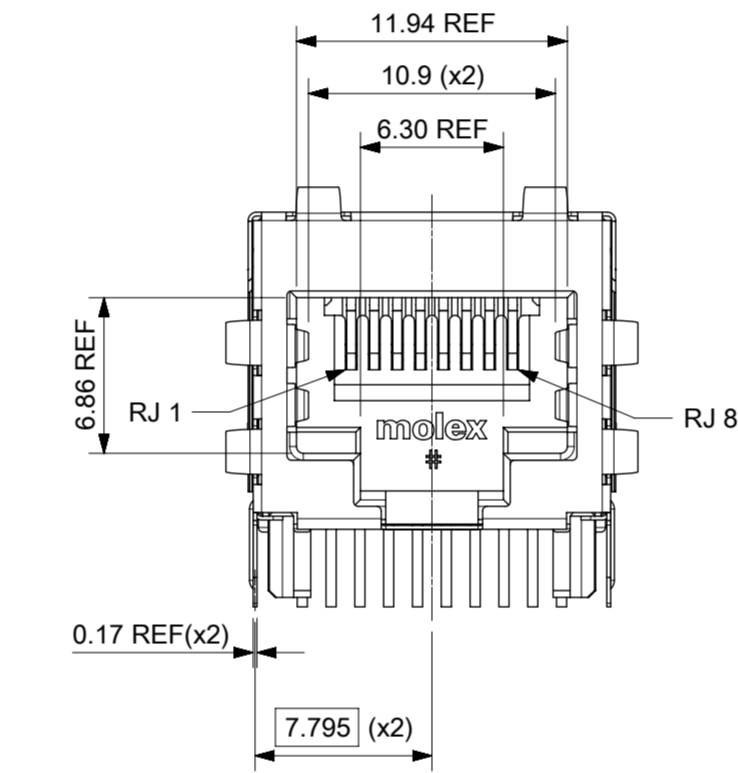
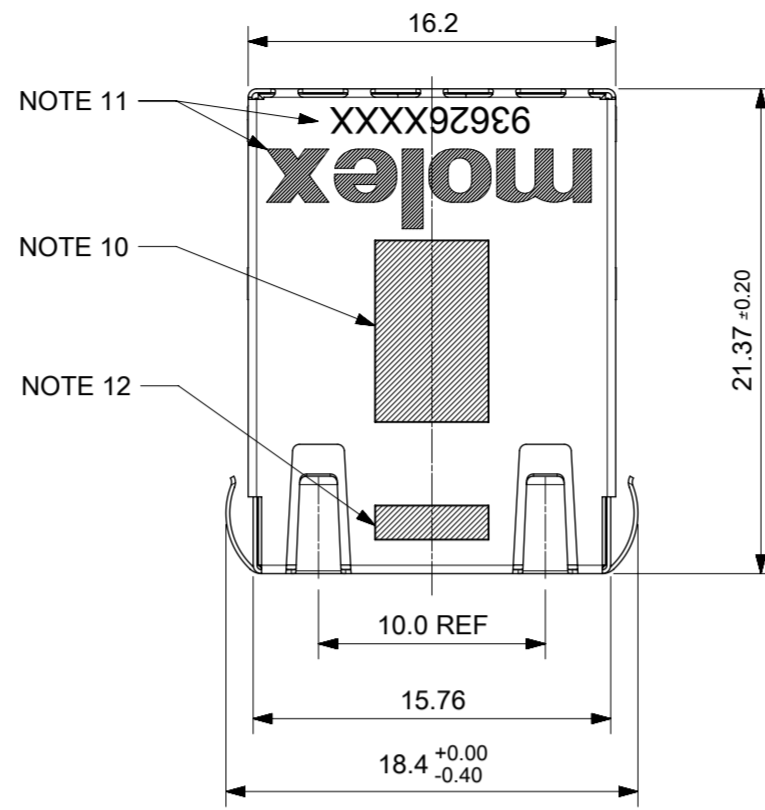


STANDARD PROFILE MAGNETIC JACK  
GIGABIT ETHERNET W/O LEDS  
AND W/ SHIELD TABS TOP AND SIDE



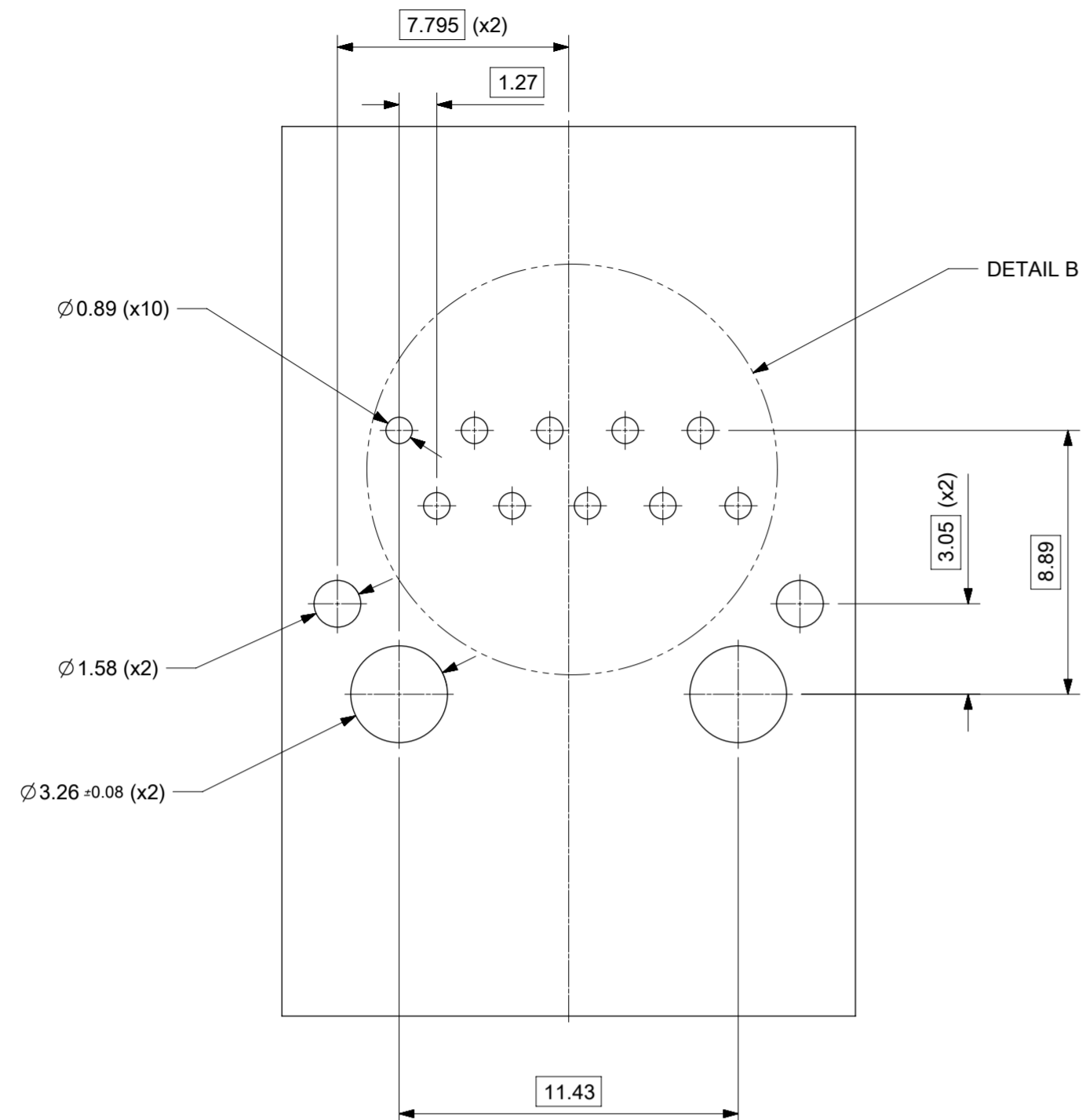
SUGGESTED PANEL CUT-OUT



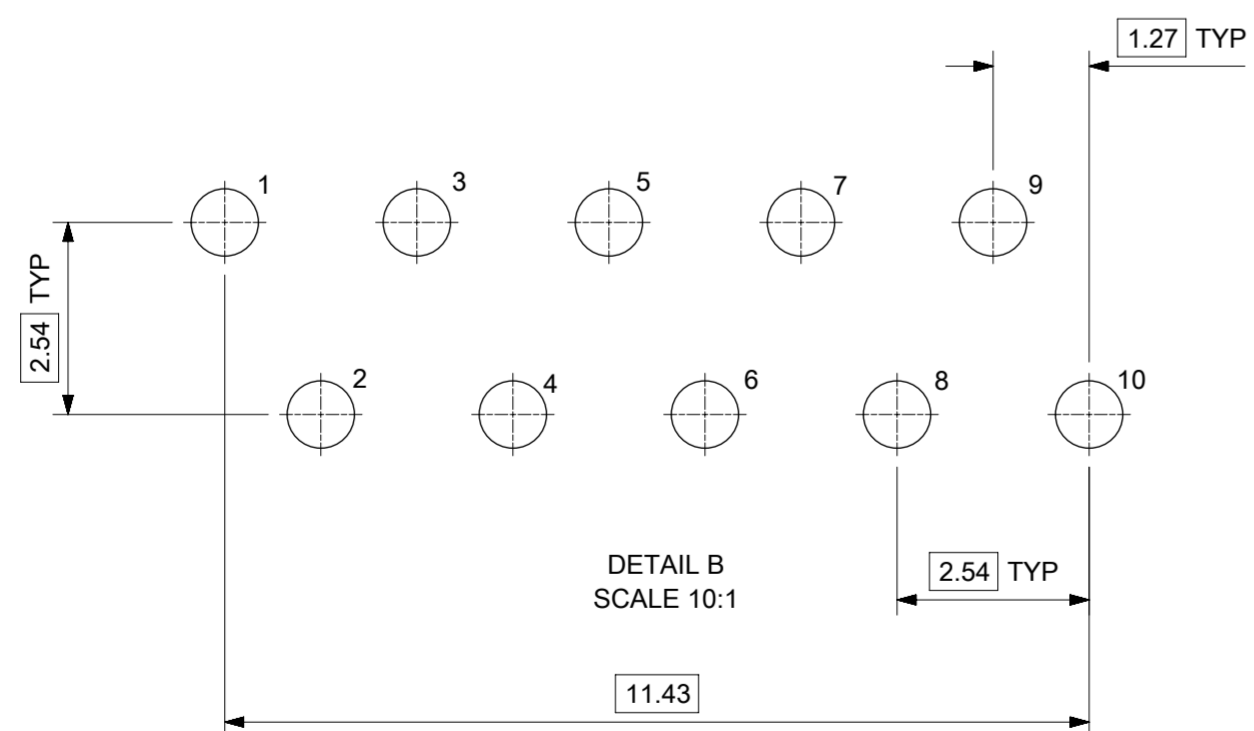
- NOTES:
- SHIELD MATERIAL: 0.17mm THICK BRASS PRE-PLATED WITH NICKEL  
SOLDER TABS POST DIPPED WITH MIN. 1.27µm TIN
  - HOUSING MATERIAL: LCP, BLACK, UL 94V-0
  - TERMINAL MATERIAL: PHOSPHOR BRONZE  
RJ45 CONTACTS PLATING: BASE NICKEL PLATED WITH GOLD  
FLASH OVER PALLADIUM NICKEL. REFER TO 934620001 PSP  
PHY SOLDER TAILS: COPPER ALLOY
  - MATING INTERFACE ACCORDING TO IEC 60603-7 & TIA-1096-A
  - PRODUCT SPECIFICATION: 934620001 PSP
  - PACKAGING SPECIFICATION: 934620001 PSK
  - STAND OFF TO SYSTEM BOARD 0.30mm MINIMUM
  - RECOMMENDED PCB THICKNESS: 1.57mm
  - SHIELD: AVOID ROUTING TRACES  
OR PLACING ANY VIAS BELOW THESE AREAS
  - AREA FOR PICK AND PLACE: 5.0mm X 8.0mm
  - INSCRIPTION MARKED BY LASER:  
1st : MOLEX  
2nd : P/N (SEE BOM)
  - DATE CODE(DAY/WEEK/YEAR)
  - MATERIAL COMPLIANT TO RoHS DIRECTIVE 2002/95/EC

THIS DRAWING CONTAINS INFORMATION THAT IS PROPRIETARY TO MOLEX ELECTRONIC TECHNOLOGIES, LLC AND SHOULD NOT BE USED WITHOUT WRITTEN PERMISSION

REVISED EC NO: 114553 DRWN: DSHEA CHKD: DBYRNES APPR: STGRIFFIN	2017/03/15	2017/04/14	2017/04/25	GENERAL TOLERANCES (UNLESS SPECIFIED)	DIMENSION UNITS	SCALE	
				ANGULAR TOL ± 2.0 °	MM	3:1	
	4 PLACES	±		KREILLY	DATE	2015/10/14	
	3 PLACES	±		CHK'D BY	DATE	DBYRNES 2016/09/19	
	2 PLACES	±	0.1	APPR BY	DATE	STGRIFFIN 2016/10/07	
1 PLACE	±	0.2	DRAFT WHERE APPLICABLE MUST REMAIN WITHIN DIMENSIONS		DRAWING SIZE	THIRD ANGLE PROJECTION	PRODUCT CUSTOMER DRAWING SERIES: 93626 MATERIAL NUMBER: SEE CHART CUSTOMER: GENERAL MARKET
B	A2				DOCUMENT NUMBER: 936260002 DOC TYPE: PSD DOC PART: 000 SHEET NUMBER: 1 OF 3		



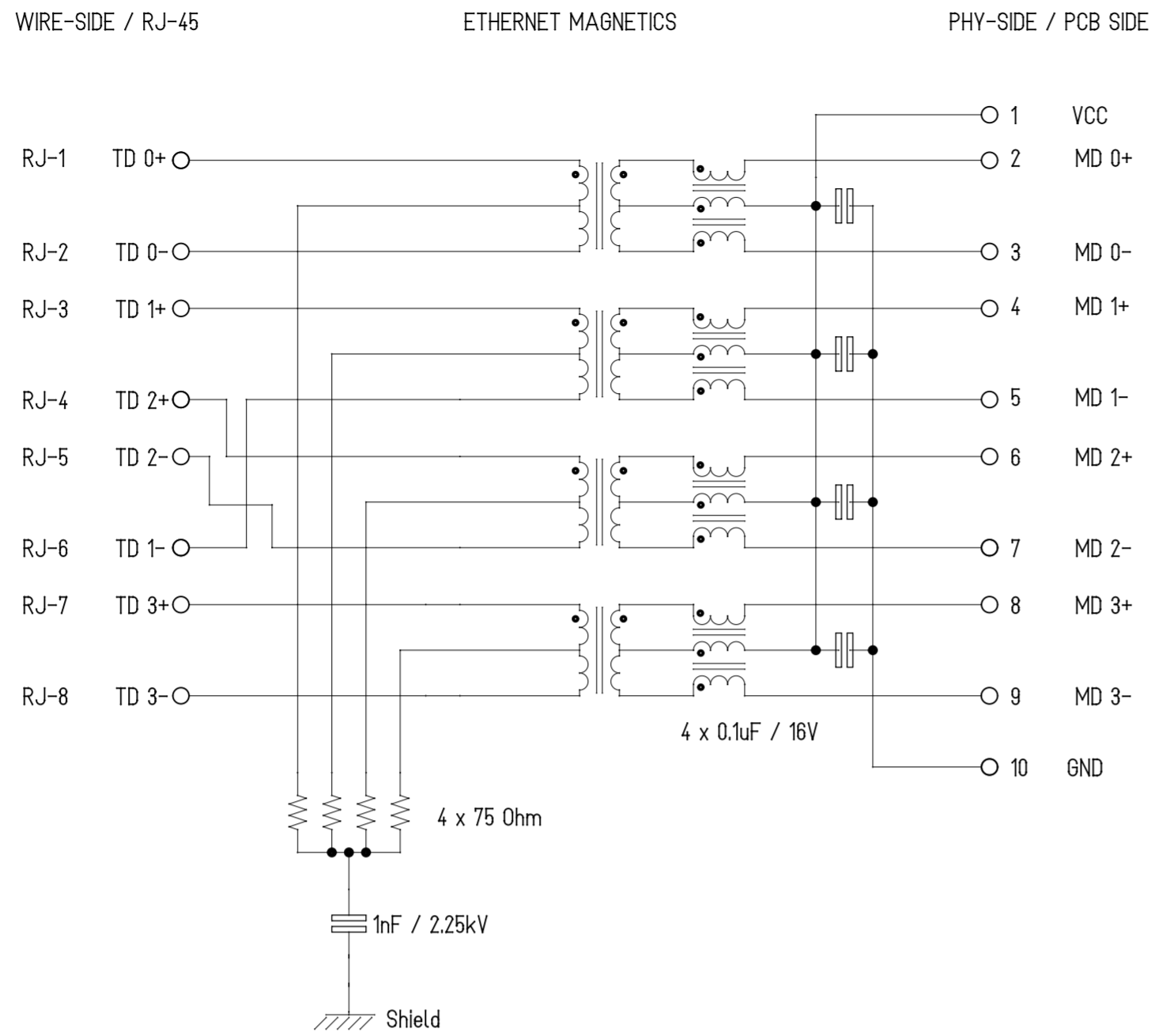
SUGGESTED BOARD LAYOUT  
GIGABIT VERSION  
COMPONENT SIDE  
ALL DIMS REFERENCE DIMS



DETAIL B  
SCALE 10:1  
PIN CONFIGURATION  
FOR GIGABIT VERSION

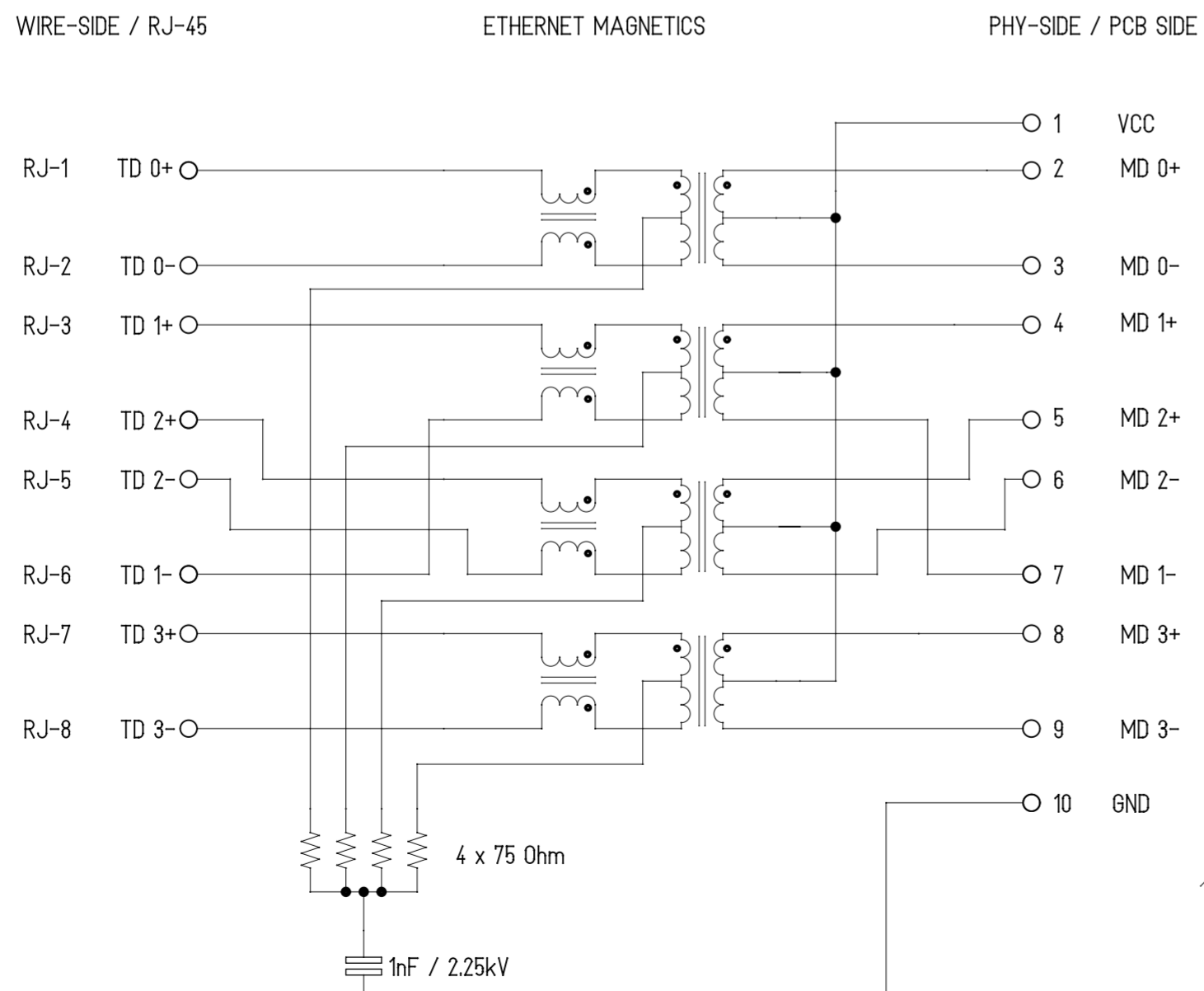
PART NUMBER	SCHEMATIC
93626-8520	A
93626-8020	B

THIS DRAWING CONTAINS INFORMATION THAT IS PROPRIETARY TO MOLEX ELECTRONIC TECHNOLOGIES, LLC AND SHOULD NOT BE USED WITHOUT WRITTEN PERMISSION									
REVISED	EC NO: 114553	GENERAL TOLERANCES (UNLESS SPECIFIED)	DIMENSION UNITS	SCALE	<b>molex</b> <sup>®</sup>				
	2017/03/15	(UNLESS SPECIFIED)	MM	5:1					
	DRWN: DSHEA	ANGULAR TOL ± 2.0 °	DRWN BY	DATE	STD MXMAG 8 CORE GIG W/ SHIELD TABS				
	2017/04/14		KREILLY	2015/10/14					
	CHKD: DBYRNES	4 PLACES ±	CHK'D BY	DATE	PRODUCT CUSTOMER DRAWING				
	2017/04/25	3 PLACES ±	DBYRNES	2016/09/19					
REV: APPR: STGRIFFIN	2 PLACES ± 0.1	APPR BY	DATE	SERIES MATERIAL NUMBER CUSTOMER					
	1 PLACE ± 0.2	STGRIFFIN	2016/10/07						
	0 PLACES ±	DRAFT WHERE APPLICABLE MUST REMAIN WITHIN DIMENSIONS	DRAWING SIZE	THIRD ANGLE PROJECTION	93626	SEE CHART	GENERAL MARKET		
<b>B</b>			<b>A2</b>		DOCUMENT NUMBER	DOC TYPE	DOC PART	SHEET NUMBER	
					936260002	PSD	000	2 OF 3	



# SCHEMATIC A

Description	Value	
OCL @100kHz, 0.1V, 8mA DC bias (-40°C to +85°C)	350µH min.	
Turns ratio	1CT:1CT	
Transmission characteristics @ 25°C, all four pairs		
Insertion Loss		
Frequency (MHz)	Limits (dB max.)	Typical Values (dB max.)
1.0-9.9 MHz	0.4+0.1*log(F)	0.5 @ 10MHz
10-49.9 MHz	0.5+0.3*log(F/10)	0.7 @ 50MHz
50-79.9 MHz	1+1.4*log(F/80)	1.0 @ 80MHz
80-100 MHz	1.3+3*log(F/100)	1.3 @ 100MHz
Return Loss		
Frequency (MHz)	Limits (dB min.)	Typical Values (dB min.)
1.0-39.9 MHz	18	18 @ 40MHz
40-100 MHz	12-20*log(F/80)	10 @ 100MHz
CMR		
Frequency (MHz)	Limits (dB min.)	Typical Values (dB min.)
1.0-100MHz	30	30 @ 100MHz
Next		
Frequency (MHz)	Limits (dB min.)	Typical Values (dB min.)
1.0-39.9MHz	35	35 @ 40MHz
40-100MHz	33-20*log(F/50)	27 @ 100MHz
Isolation PHY to wire side	2.25kVDC/60sec	



# SCHEMATIC B

THIS DRAWING CONTAINS INFORMATION THAT IS PROPRIETARY TO MOLEX ELECTRONIC TECHNOLOGIES, LLC AND SHOULD NOT BE USED WITHOUT WRITTEN PERMISSION

REVISED EC NO: 114553 DRWN: DSHEA CHKD: DBYRNES APPR: STGRIFFIN	2017/03/15	2017/04/14	2017/04/25	GENERAL TOLERANCES (UNLESS SPECIFIED)	DIMENSION UNITS	SCALE		
				4 PLACES ±	MM	1:1		
				3 PLACES ±	ANGULAR TOL ± 2.0 °	DRWN BY		DATE
				2 PLACES ± 0.1		KREILLY		2015/10/14
				1 PLACE ± 0.2		CHK'D BY		DATE
			0 PLACES ±		DBYRNES	2016/09/19		
					APPR BY	DATE		
					STGRIFFIN	2016/10/07		
					DRAWING SIZE	THIRD ANGLE PROJECTION		
					A2			
					DRAFT WHERE APPLICABLE MUST REMAIN WITHIN DIMENSIONS			
SERIES		MATERIAL NUMBER		CUSTOMER		PRODUCT CUSTOMER DRAWING		
93626		SEE CHART		GENERAL MARKET				
DOCUMENT NUMBER		DOC TYPE		DOC PART		SHEET NUMBER		
936260002		PSD		000		3 OF 3		