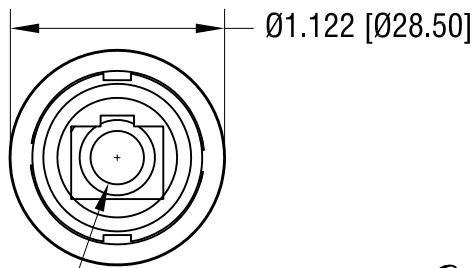
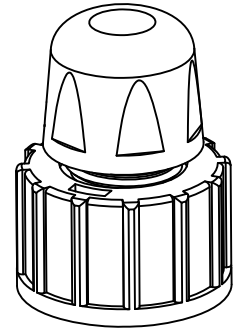
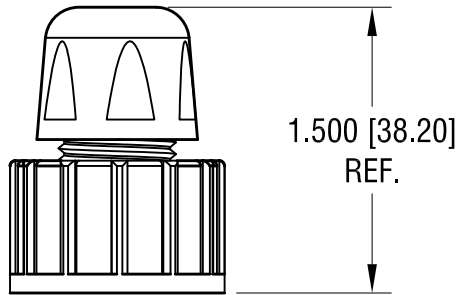
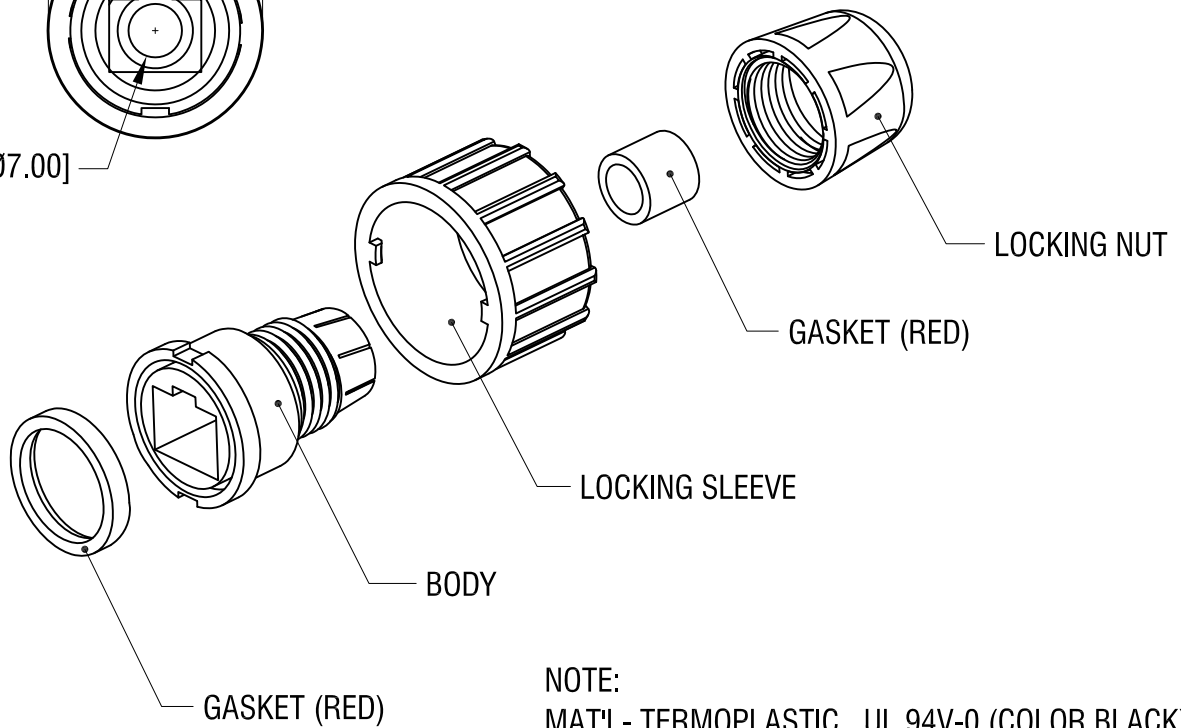


THIS DOCUMENT IS THE PROPERTY OF  
KEYSTONE ELECTRONICS CORP. AND  
SHALL NOT BE REPRODUCED, DISTRIBUTED  
OR USED AS A BASIS FOR MANUFACTURE  
WITHOUT PRIOR WRITTEN PERMISSION  
FROM KEYSTONE ELECTRONICS CORP.

ACTUAL SIZE



Ø.276 [Ø7.00]



NOTE:  
MAT'L- TERMOPLASTIC , UL 94V-0 (COLOR BLACK)]  
GASKET: -SILICON (RED COLOR)

**KEYSTONE ELECTRONICS CORP.**

www.keyelco.com • NEW HYDE PARK, NY 11040 • Tel (516) 328-7500

PART NAME

WATER PROOF KEYSTONE PLUG, IP68

MATERIAL

AS NOTED

FINISH

DRN BY

NT

DATE

12.20.18

APP'D

RH

SCALE

1X

TOLERANCES

INCH

[MM]

CODE

DWG NO.

DECIMAL

± .005 [± 0.13 ]

C

ANGULAR

± 1°

UNLESS OTHERWISE SPECIFIED

**988P**

DATE

DESCRIPTION

REV.