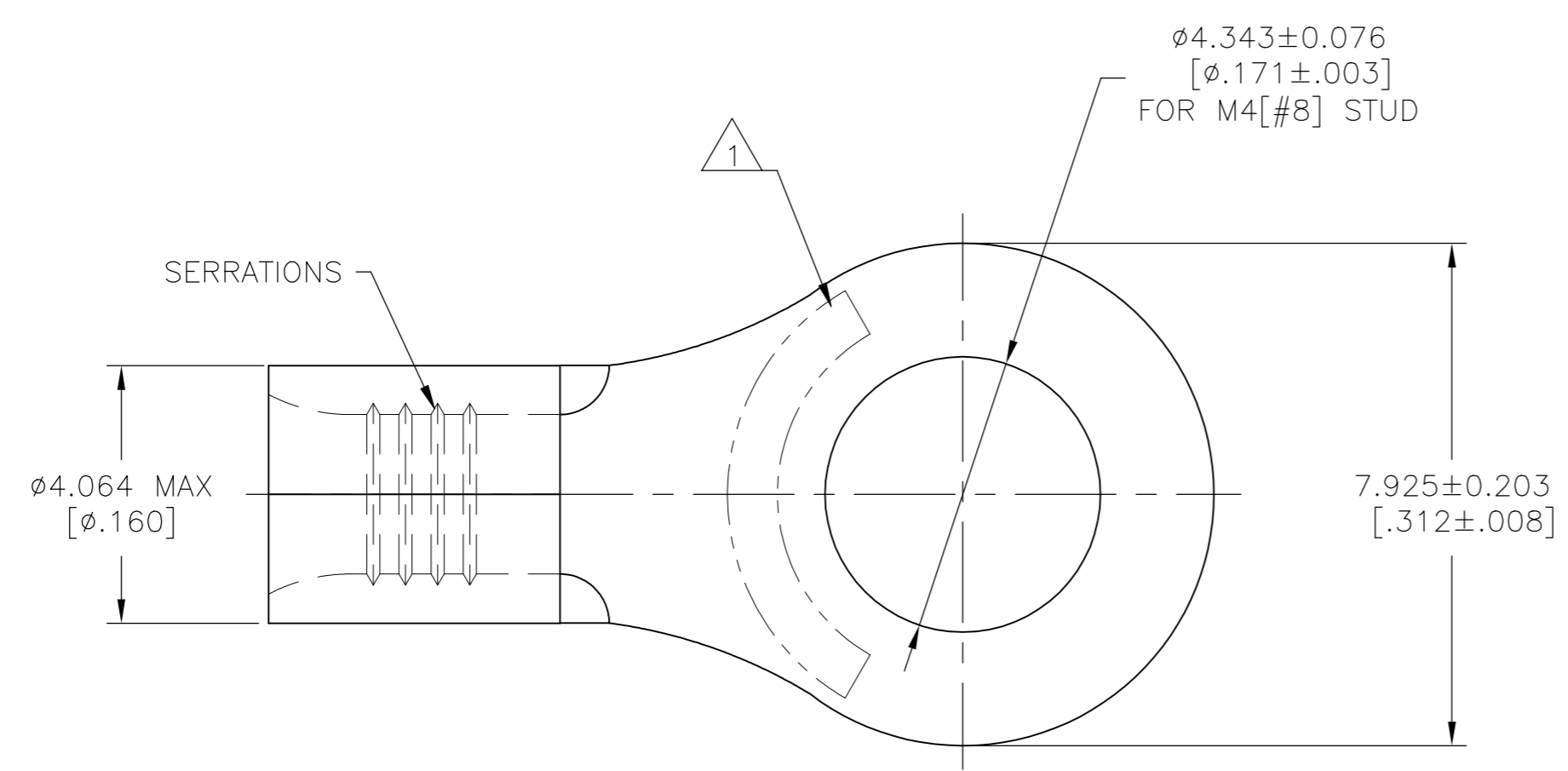


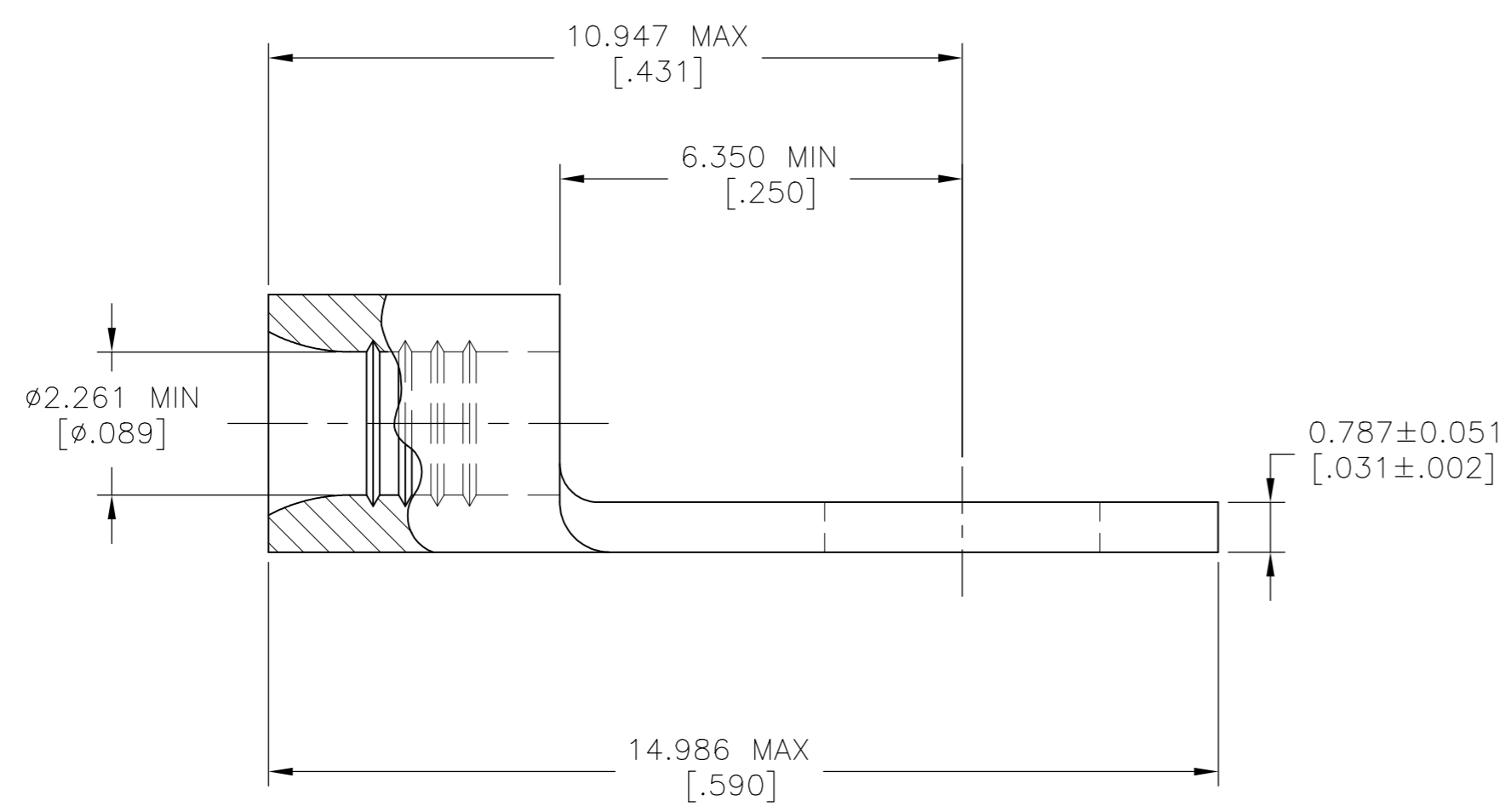
THIS DRAWING IS UNPUBLISHED. RELEASED FOR PUBLICATION  
 © COPYRIGHT - TE Connectivity Ltd. ALL RIGHTS RESERVED.

REVISIONS					
P	LTR	DESCRIPTION	DATE	DWN	APVD
B		REV / OG10-0026-99	12FEB99	-	SU
B1		REVISED PER ECO-17-008806	21FEB2018	RS	DR



<b>AMP</b> WIRE RANGE	E13288 Listed
16-14 AWG SOLID OR STRANDED	16-14 AWG STRANDED
LR7189 Certified	MILITARY P/N AND CLASS
NOT CERTIFIED	NOT APPLICABLE

1 STAMP AMP 16-14\* APPROX AS SHOWN



1000	LOOSE PIECE	322235
QUANTITY	PACKAGE TYPE	PART NO

<b>AMP INCORPORATED</b> <b>CUSTOMER SERVICE SYSTEMS</b>		THIS DRAWING IS A CONTROLLED DOCUMENT.		DWN 22FEB2018 RAVI S	TE Connectivity Ltd.
FOR ADDITIONAL PRODUCT INFORMATION OR COPIES OF DRAWINGS AND TECHNICAL DOCUMENTS PRODUCT INFORMATION CENTER 1-800-522-6752	MAX RECOMMENDED OPERATING TEMPERATURE: 170°C [338°F] MAX	DIMENSIONS: mm [INCHES]	TOLERANCES UNLESS OTHERWISE SPECIFIED: 0 PLC ± - 1 PLC ± - 2 PLC ± - 3 PLC ± 0.127[.005] 4 PLC ± - ANGLES ± -	CHK 22FEB2018 ROHDE DANIEL F	
FOR APPLICATION TOOLING ASSISTANCE CENTER 1-800-722-1111	VOLTAGE RATING: NOT APPLICABLE			APVD 22FEB2018 ROHDE DANIEL F	PRODUCT SPEC UL 486 A-B
TOOLING INFORMATION 1-800-722-1111	WIRE CROSS SECTIONAL AREA RANGE, 1.04-2.62mm²[2,050-5,180] CIR MILS SOLID OR STRANDED	MATERIAL COPPER PER ASTM B-152 ANNEALED	FINISH TIN PLATE 0.00254[.000100] MIN THK PER ASTM B545	APPLICATION SPEC -	SIZE CAGE CODE DRAWING NO RESTRICTED TO A2 00779 C-322235 -
FOR ORDER ENTRY 1-800-526-5142		CUSTOMER DRAWING		WEIGHT -	SCALE SHEET REV 10:1 1 OF 1 B1