

THIS DRAWING IS UNPUBLISHED.

RELEASED FOR PUBLICATION

REVISIONS

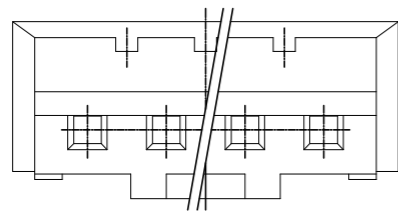
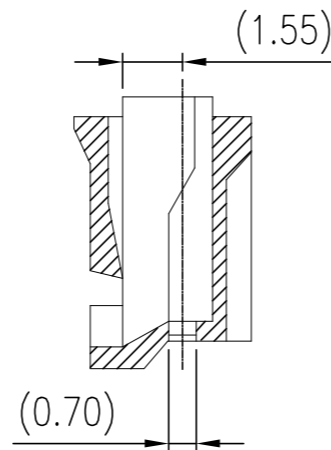
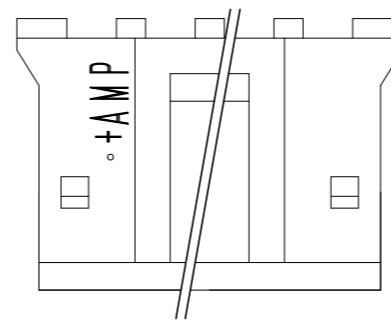
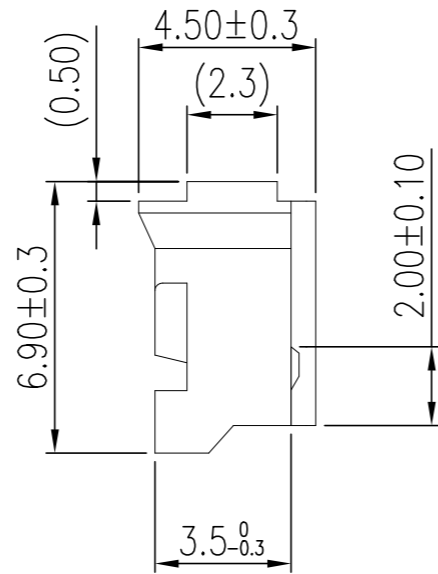
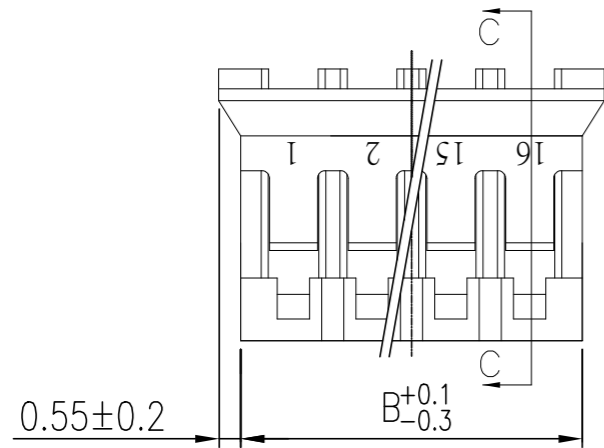
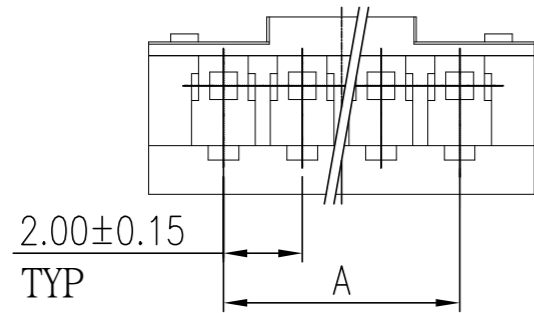
© COPYRIGHT - TE Connectivity Ltd.

ALL RIGHTS RESERVED.

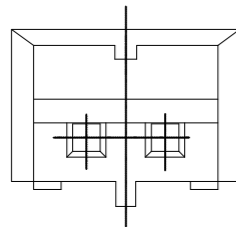
P	LTR	DESCRIPTION	DATE	DWN	APVD
	D5	ECR-19-006475	29APR19	T.Q	W.H

NOTES:

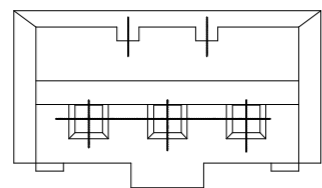
- MATERIAL:
HOUSING: THERMOPLASTIC, UL94V-0, COLOR:SEE TABLE.



4P~16P



2P

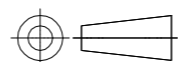


3P

COLOR	B	A	POS	PART NUMBER	COLOR	B	A	POS	PART NUMBER
BROWN	10.70	8.00	5P	7-440129-5					
GREEN	22.80	20.00	11P	9-440129-1					
GREEN	10.70	8.00	5P	9-440129-5					
GREEN	8.70	6.00	4P	9-440129-4					
GREEN	6.70	4.00	3P	9-440129-3					
	10.70	8.00	5P	8-440129-5					
RED	8.70	6.00	4P	8-440129-4					
	6.70	4.00	3P	8-440129-3					
	4.70	2.00	2P	8-440129-2					
	10.70	8.00	5P	6-440129-5					
BLACK	8.70	6.00	4P	6-440129-4					
	6.70	4.00	3P	6-440129-3					
	4.70	2.00	2P	6-440129-2					
	24.80	22.00	12P	5-440129-2					
	22.80	20.00	11P	5-440129-1					
	20.80	18.00	10P	5-440129-0					
	18.80	16.00	9P	4-440129-9					
	16.80	14.00	8P	4-440129-8					
	14.80	12.00	7P	4-440129-7					
	12.70	10.00	6P	4-440129-6					
	10.70	8.00	5P	4-440129-5					
	8.70	6.00	4P	4-440129-4					
	6.70	4.00	3P	4-440129-3					
	4.70	2.00	2P	4-440129-2					
	10.70	8.00	5P	2-440129-5					
	8.70	6.00	4P	2-440129-4					
BLUE	6.70	4.00	3P	2-440129-3					
	4.70	2.00	2P	2-440129-2					
	32.80	30.00	16P	1-440129-6					
	30.80	28.00	15P	1-440129-5					
	28.80	26.00	14P	1-440129-4					
	26.80	24.00	13P	1-440129-3					
	24.80	22.00	12P	1-440129-2					
	22.80	20.00	11P	1-440129-1					
	20.80	18.00	10P	1-440129-0					
	18.80	16.00	9P	440129-9					
	16.80	14.00	8P	440129-8					
	14.80	12.00	7P	440129-7					
	12.70	10.00	6P	440129-6					
	10.70	8.00	5P	440129-5					
	8.70	6.00	4P	440129-4					
	6.70	4.00	3P	440129-3					
	4.70	2.00	2P	440129-2					

THIS DRAWING IS A CONTROLLED DOCUMENT.

DIMENSIONS: mm



TOLERANCES UNLESS OTHERWISE SPECIFIED:

- 0 PLC ± 0.3
- 1 PLC ± 0.25
- 2 PLC ± 0.15
- 3 PLC ± 0.05
- 4 PLC ± -
- ANGLES ± -

MATERIAL FINISH

DWN 17OCT2018 Tommy Qian

CHK 17OCT2018 Wenke He

APVD 17OCT2018 Wenke He

PRODUCT SPEC

APPLICATION SPEC

WEIGHT

CUSTOMER DRAWING

TE Connectivity Ltd.

2.0MM PITCH HPI CRIMP HOUSING

SIZE	CAGE CODE	DRAWING NO	RESTRICTED TO
A3	00779	C=440129	-

SCALE 1:1 SHEET 1 OF 2 REV D5

THIS DRAWING IS UNPUBLISHED.

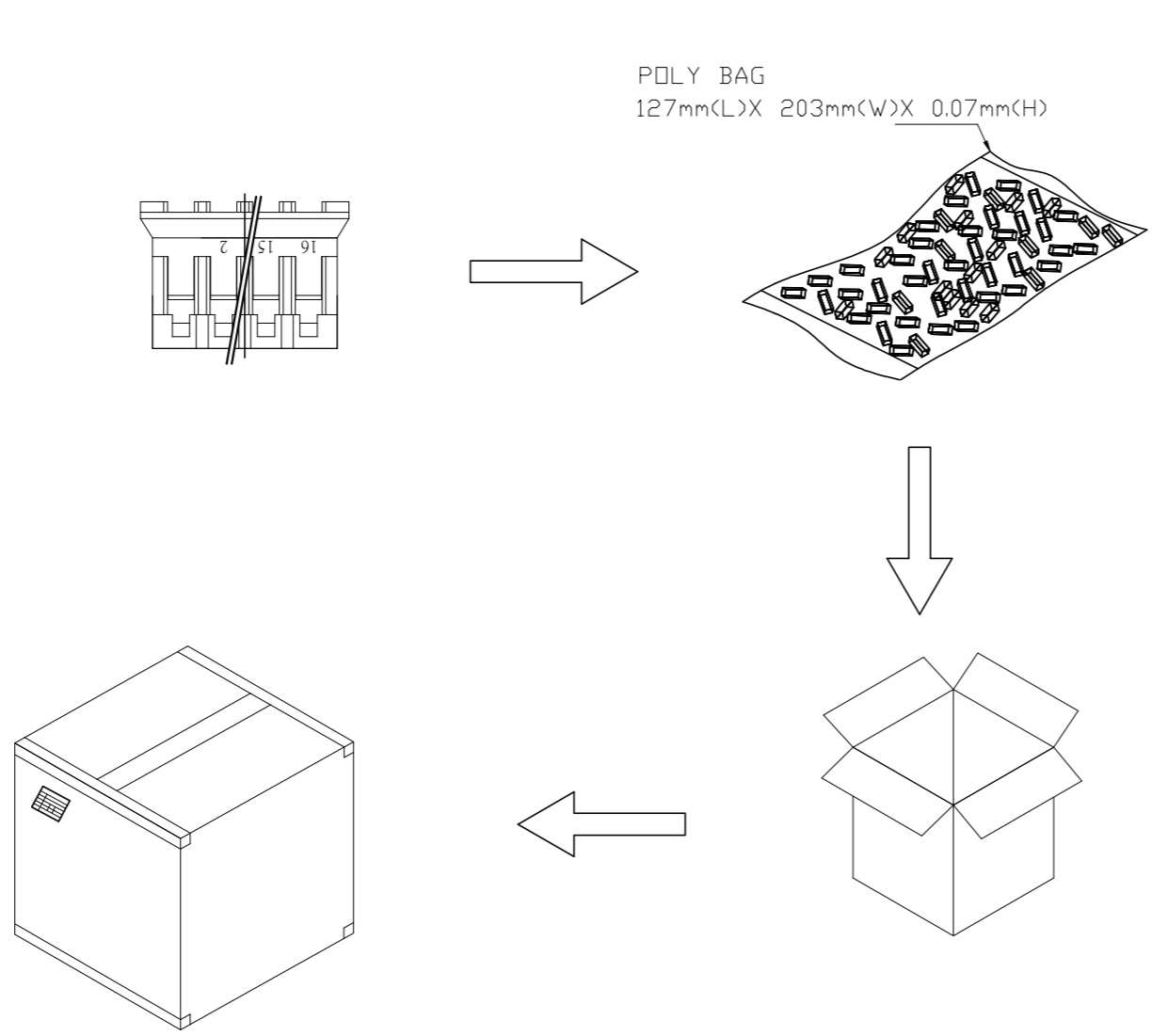
RELEASED FOR PUBLICATION

REVISIONS

© COPYRIGHT - TE Connectivity Ltd.

ALL RIGHTS RESERVED.

P	LTR	DESCRIPTION	DATE	DWN	APVD
-	-	SEE SHEET 1	-	-	-



CARTON
 320mm(L)x220mm(W)x140mm(H)
 (FOR HEADER 2P~5P ONLY)
 340mm(L)x470mm(W)x316mm(H)
 (FOR HEADER 6P~16P ONLY)

APQ (PCS/CARTON)	PPO (PCS/BAG)	POS	PART NUMBER	APQ (PCS/CARTON)	PPO (PCS/BAG)	POS	PART NUMBER
30,000	1,000	12P	8-440129-1	15,000	1,000	5P	7-440129-5
50,000	1,000	8P	8-440129-8	35,000	1,000	11P	9-440129-1
				15,000	1,000	5P	9-440129-5
				36,000	2,000	4P	9-440129-4
				20,000	1,000	3P	9-440129-3
				15,000	1,000	5P	8-440129-5
				18,000	1,000	4P	8-440129-4
				20,000	1,000	3P	8-440129-3
				36,000	2,000	2P	8-440129-2
				15,000	1,000	5P	6-440129-5
				18,000	1,000	4P	6-440129-4
				20,000	1,000	3P	6-440129-3
				36,000	2,000	2P	6-440129-2
				30,000	1,000	12P	5-440129-2
				35,000	1,000	11P	5-440129-1
				40,000	1,000	10P	5-440129-0
				45,000	1,000	9P	4-440129-9
				50,000	1,000	8P	4-440129-8
				10,000	1,000	7P	4-440129-7
				12,000	1,000	6P	4-440129-6
				15,000	1,000	5P	4-440129-5
				18,000	1,000	4P	4-440129-4
				20,000	1,000	3P	4-440129-3
				36,000	2,000	2P	4-440129-2
				15,000	1,000	5P	2-440129-5
				18,000	1,000	4P	2-440129-4
45,000	1,000	9P	2-440129-9	20,000	1,000	3P	2-440129-3
50,000	1,000	8P	2-440129-8	36,000	2,000	2P	2-440129-2
				25,000	1,000	16P	1-440129-6
				25,000	1,000	15P	1-440129-5
				25,000	1,000	14P	1-440129-4
				30,000	1,000	13P	1-440129-3
				30,000	1,000	12P	1-440129-2
				35,000	1,000	11P	1-440129-1
				40,000	1,000	10P	1-440129-0
				45,000	1,000	9P	440129-9
				50,000	1,000	8P	440129-8
				10,000	1,000	7P	440129-7
				12,000	1,000	6P	440129-6
				15,000	1,000	5P	440129-5
				18,000	1,000	4P	440129-4
				20,000	1,000	3P	440129-3
				36,000	2,000	2P	440129-2

THIS DRAWING IS A CONTROLLED DOCUMENT.

DWN	17OCT2018	STE TE Connectivity Ltd.
CHK	17OCT2018	
APVD	17OCT2018	NAME
PRODUCT SPEC	Wenke He	2.0MM PITCH HPI CRIMP HOUSING
APPLICATION SPEC	Wenke He	
WEIGHT	-	SIZE
CUSTOMER DRAWING		CAGE CODE
		DRAWING NO
		RESTRICTED TO
		SCALE
		SHEET
		REV