
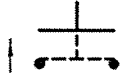
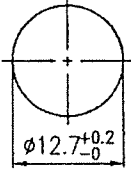


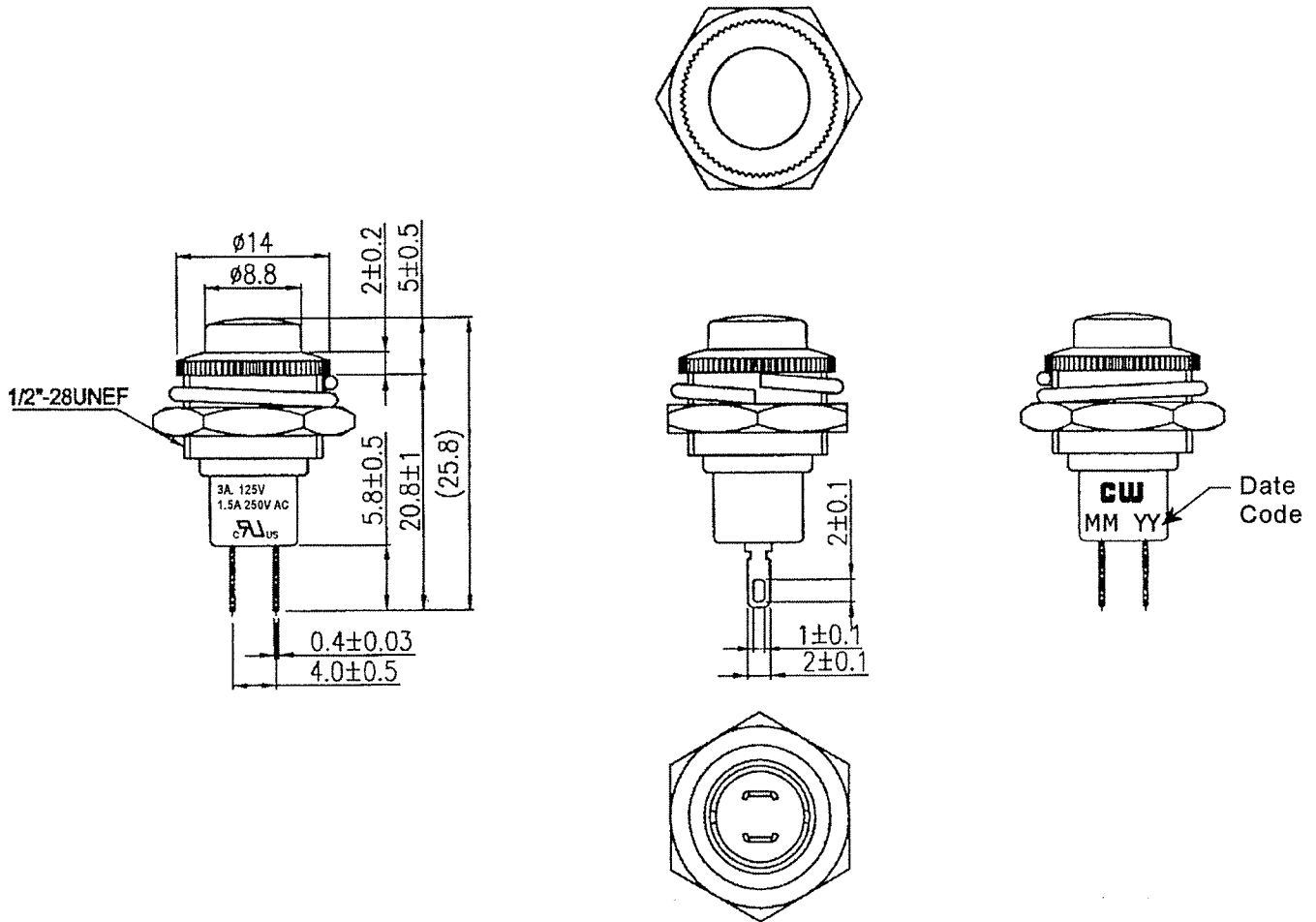
THIS INFORMATION IS CONFIDENTIAL AND PROPRIETARY TO CW INDUSTRIES INCORPORATED AND ITS AFFILIATES. IT MAY NOT BE DISCLOSED TO ANYONE, OTHER THAN CW INDUSTRIES PERSONNEL, WITHOUT WRITTEN AUTHORIZATION FROM CW INDUSTRIES INCORPORATED, SOUTHAMPTON, PENNSYLVANIA USA.

| | | | | |
|-----------------------|--------------------------|---|---|---|
| Rating | 3A. 125V , 1. 5A 250V AC |  | Mounting Hole |  |
| Contact Resistance | 50m ohm max. | |  | |
| Insulation Resistance | DC 500V 100M ohm min. | | | |
| Dielectric Strength | AC 1000V 1 minute | | | |
| Operating Temperature | 0° C ~ 85° C | | | |
| Switch Function | 2P SPST OFF - (ON) | | | |

Cut-Out 3mm thk. max.

() = Momentary

Material:
Housing: Brass Alloy, Cr-Plating
Button: Nylon #66, Red
Bottom Cover: PBT+30%GF, Black
Terminals: Copper Alloy



Tolerances Unless Otherwise Specified +/-0.3.

RoHS Compliant

1 Redrawn. Updated views, Materials & Tolerances. 4-03-13.

CW INDUSTRIES
Southampton, Pa. 18966
Tel 215.355.7080/www.cwind.com

Date Drawn: 12/25/09

Rev. 1

Unit: mm

Checked By: *G. Gold*

Title: **PUSH BUTTON SWITCH**

CW P/N: **GPB502MA05BR**