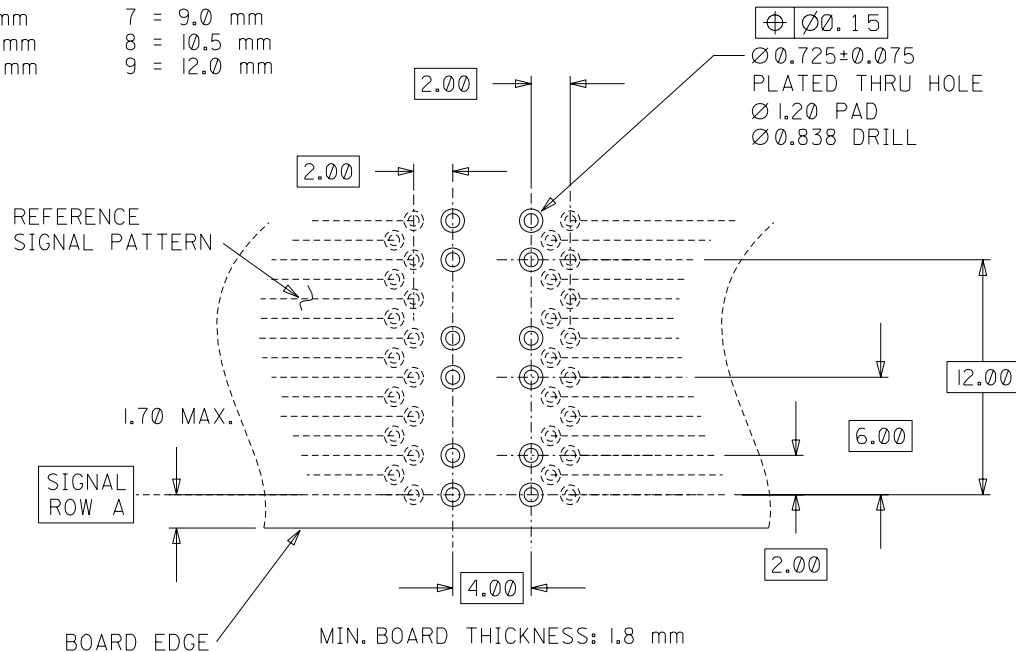
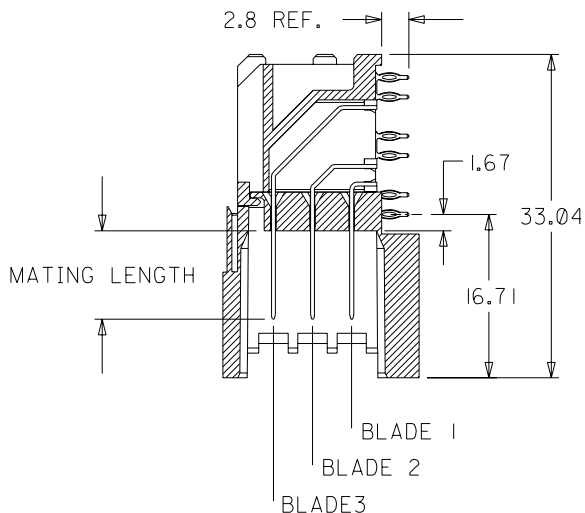
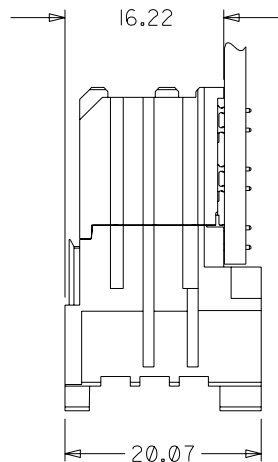
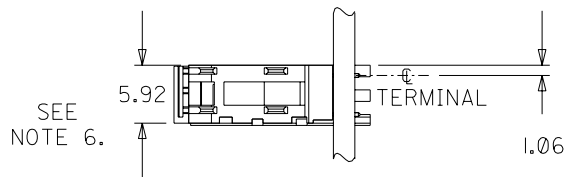
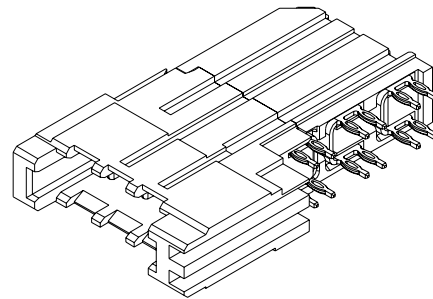


MATERIAL NUMBER ASSIGNMENT

74026 - 8 * * * SEE NOTE 2. & 3.

BLADE 1 MATING LENGTH	BLADE 2 MATING LENGTH	BLADE 3 MATING LENGTH
1 = 7.5 mm	1 = 7.5 mm	1 = 7.5 mm
2 = 9.0 mm	2 = 9.0 mm	2 = 9.0 mm
3 = 10.5 mm	3 = 10.5 mm	3 = 10.5 mm
4 = 12.0 mm	4 = 12.0 mm	4 = 12.0 mm
5 = 9.75 mm	5 = 9.75 mm	5 = 9.75 mm
6 = 7.5 mm	6 = 7.5 mm	6 = 7.5 mm
7 = 9.0 mm	7 = 9.0 mm	7 = 9.0 mm
8 = 10.5 mm	8 = 10.5 mm	8 = 10.5 mm
9 = 12.0 mm	9 = 12.0 mm	9 = 12.0 mm



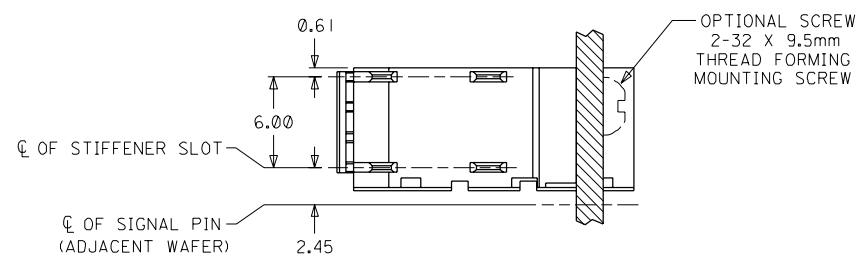
NOTES:

- MATERIALS:
HOUSING - LIQUID CRYSTAL POLYMER (LCP)
UL94 V-0 RATED, COLOR: BLACK
TERMINAL - COPPER ALLOY
- FINISH: SELECT GOLD ON MATING SURFACE, 30 microINCH THICK;
TIN/LEAD ON TAILS; NICKEL OVERALL. (WHEN * = 1, 2, 3, 4, OR 5).
- FINISH: SELECT GOLD ON MATING SURFACE, 50 microINCH THICK;
TIN/LEAD ON TAILS; NICKEL OVERALL. (WHEN * = 6, 7, 8, OR 9).
- THIS PART CONFORMS TO PRODUCT SPECIFICATION PS-74031-999.
- PART SHOWN IS 74026-8222.
- USE 6.00 mm NOMINAL FOR DAUGHTERCARD LAYOUT.

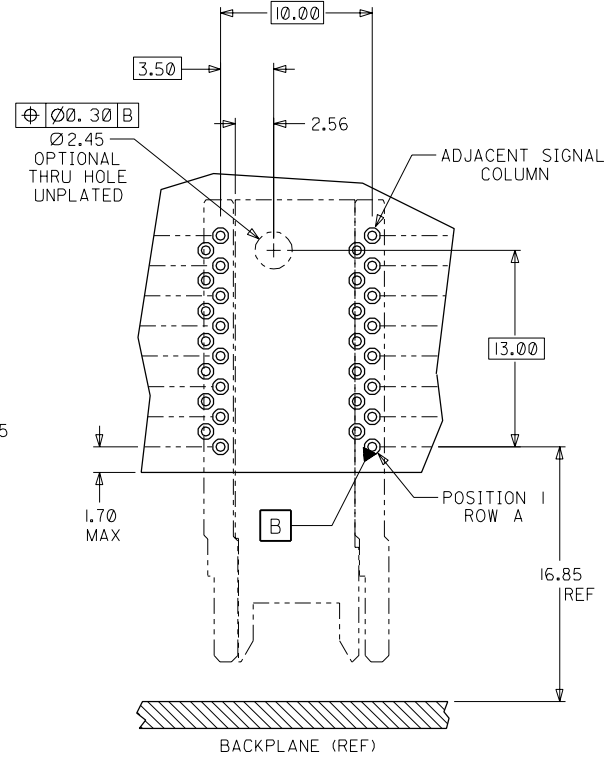
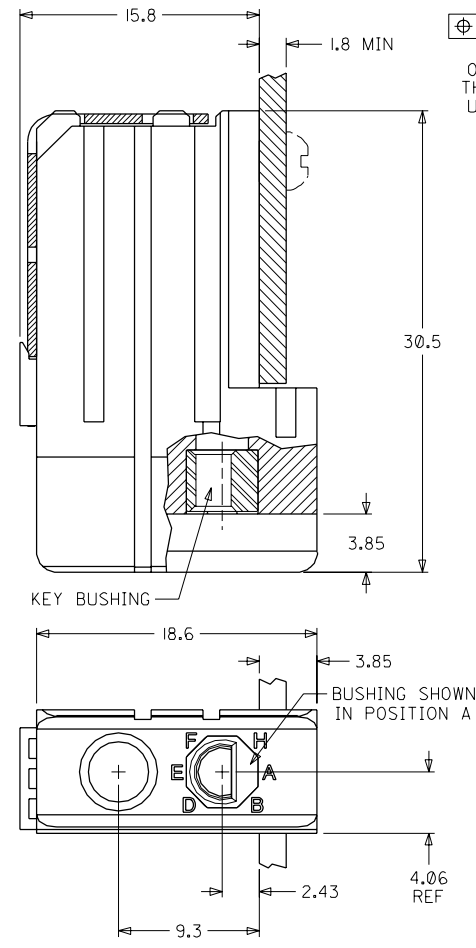
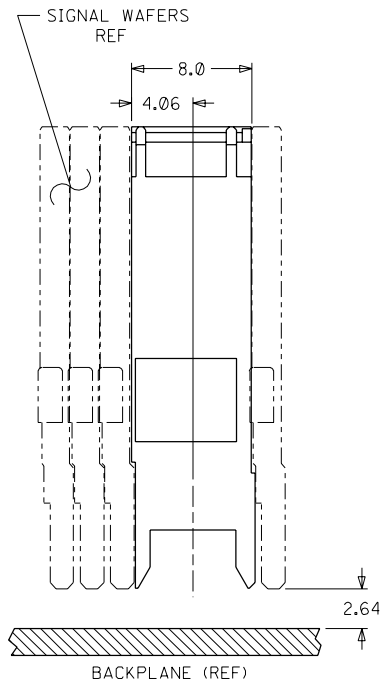
ADD 9.75 BLADE EC NO. UDT2002-1108 DRWN: ELO 02/03/12 CHK: ELO 02/03/13 APPR: BIXLER 02/03/14	QUALITY SYMBOLS MAJOR $\blacktriangledown = 0$ CRITICAL $\blacktriangledown = 0$	GENERAL TOLERANCES: (UNLESS SPECIFIED)		SCALE NONE <input checked="" type="checkbox"/> mm <input type="checkbox"/> INCH	DESIGN UNITS <input checked="" type="checkbox"/> mm <input type="checkbox"/> INCH	DIMENSIONS: <input type="checkbox"/> mm <input type="checkbox"/> INCH <input checked="" type="checkbox"/> MM ONLY	SHT	REV
		4 PLACES ±0. ±.	DRAWN BY & DATE ELO 98/10/15	THIRD ANGLE PROJECTION		TITLE: VHDM POWER 8 ROW DAUGHTERCARD SALES ASSEMBLY		
		3 PLACES ±0. ±.	CHECKED BY & DATE BREARLEY 98/10/21	MOLEX INCORPORATED		MATERIAL NO. SEE CHART DRAWING NO. SD-74026-002		
		2 PLACES ±0. ±.	APPROVED BY & DATE BIXLER 98/10/22	CAD FILENAME SD-74026-002.S01		SHEET NO. 1 OF 1		
1 PLACE ±0. ±.	ANGLUAR: ± 5 °	DRAFT WHERE APPLICABLE MUST REMAIN WITHIN DIMENSIONS		THIS DRAWING CONTAINS INFORMATION THAT IS PROPRIETARY TO MOLEX INCORPORATED AND SHOULD NOT BE USED WITHOUT WRITTEN PERMISSION.		SIZE B		

NOTES: (UNLESS OTHERWISE SPECIFIED)

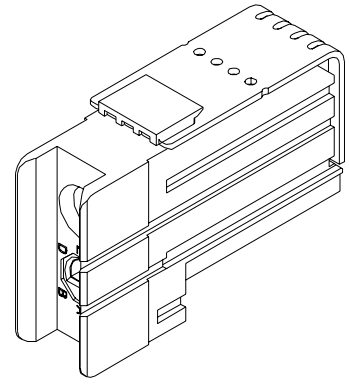
1. MATERIALS: HOUSING - LIQUID CRYSTAL POLYMER (LCP), GLASS-FILLED, UL94V-0, BLACK.
KEY BUSHING - STAINLESS STEEL.
2. FINISH: NONE.
3. REFER TO MOLEX PRODUCT SPECIFICATION PS-74031-999 FOR PERFORMANCE SPECIFICATIONS.



MATERIAL NUMBER	BUSHING CLOCK POSITION	
74037-0008	NONE	
74037-8001	A	
74037-8002	B	
74037-8003	C	
74037-8004	D	
74037-8005	E	
74037-8006	F	
74037-8007	G	
74037-8008	H	



DAUGHTERCARD HOLE PATTERN (CONNECTOR SIDE)



INITIAL RELEASE EC NO. UDT 1999-00291 DRWN: LAURX 98/10/19 CHK: MQWANG 98/10/19 APPR: BIXLER 98/10/19	QUALITY SYMBOLS	GENERAL TOLERANCES: (UNLESS SPECIFIED)	SCALE 4 : 1	DESIGN UNITS <input checked="" type="checkbox"/> mm <input type="checkbox"/> INCH	THIRD ANGLE PROJECTION	DIMENSIONS: <input type="checkbox"/> mm <input type="checkbox"/> INCH <input checked="" type="checkbox"/> mm ONLY		SHT	REV
	MAJOR ∇	4 PLACES ±0. -- ±. --	3 PLACES ±0. -- ±. --	2 PLACES ±0.13 ±. --	1 PLACE ±0.25 ±. --	DRAWN BY & DATE LAURX 98/10/19		TITLE: VHDM DAUGHTERCARD 8 ROW GUIDE MODULE SALES DRAWING	
	CRITICAL ∇	ANGULAR: ± 2°		CHECKED BY & DATE MQWANG 98/10/19		APPROVED BY & DATE BIXLER 98/10/19		MATERIAL NO. SEE CHART	
	REV	DRAFT WHERE APPLICABLE MUST REMAIN WITHIN DIMENSIONS		CAD FILENAME S7403706.DGN		DRAWING NO. SD-74037-006		SHEET NO. 1 OF 1	

MOLEX INCORPORATED

THIS DRAWING CONTAINS INFORMATION THAT IS PROPRIETARY TO MOLEX INCORPORATED AND SHOULD NOT BE USED WITHOUT WRITTEN PERMISSION.