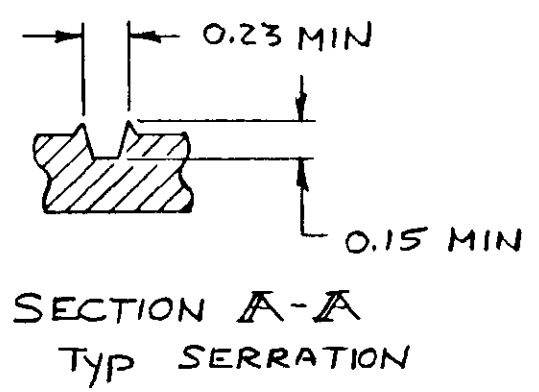
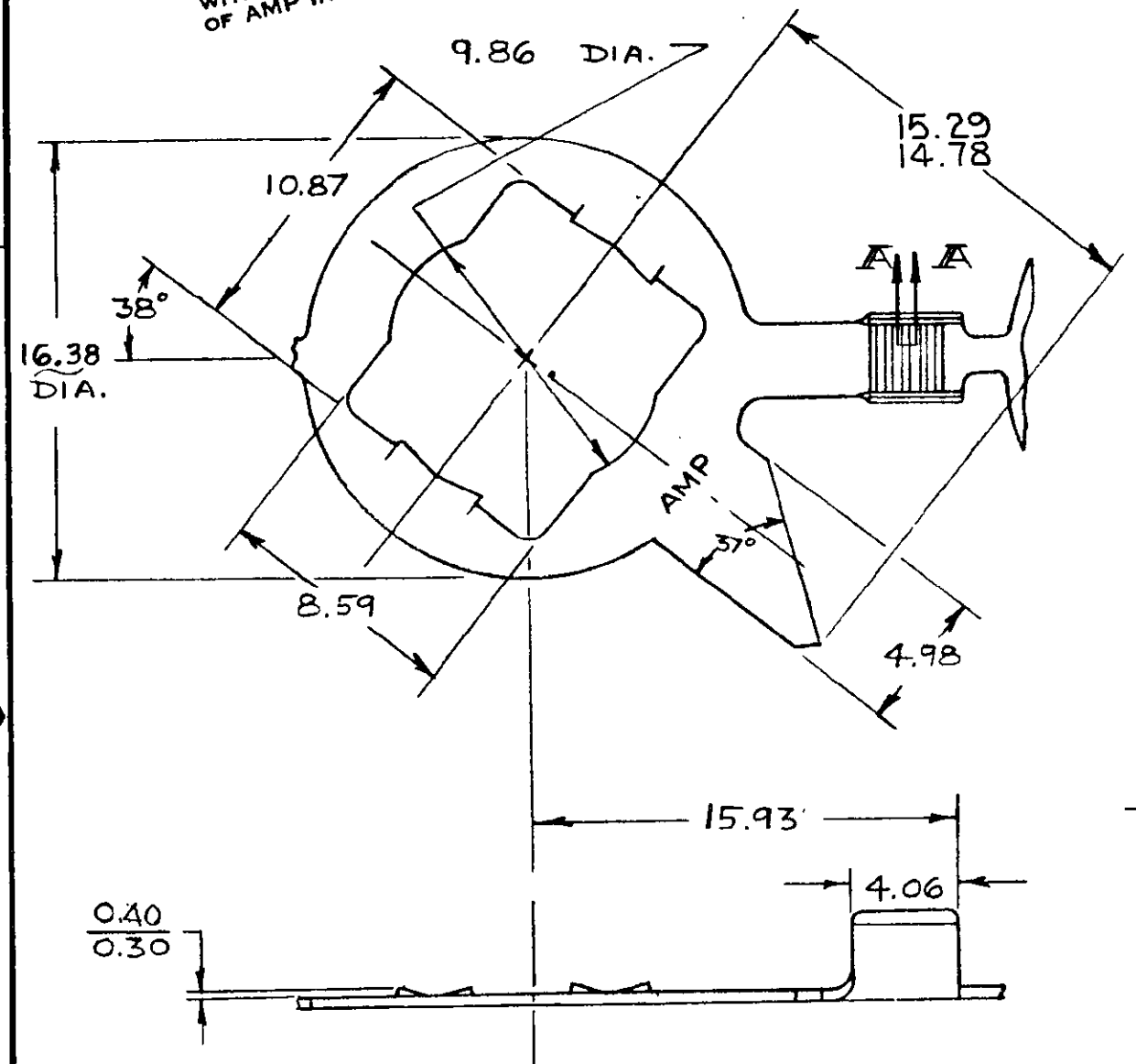


© COPYRIGHT 1977 BY AMP INCORPORATED, HARRISBURG, PA.  
 ALL INTERNATIONAL RIGHTS RESERVED. AMP INCORPORATED PRODUCTS  
 COVERED BY U. S. AND FOREIGN PATENTS AND/OR PATENTS PENDING.

UNPUBLISHED NOR FOR PUBLICATION  
 REPRODUCED NOR FOR REPRODUCTION  
 WITHOUT WRITTEN PERMISSION  
 OF AMP INCORPORATED.



REVISIONS						
P	F	ZONE	LTR	DESCRIPTION	DATE	APPROVED
✓			F	REV PER ECN CM 85	1/24/85	TB/RS
✓			F1	RESTORATION	2/23/85	KO/SJ
✓			G	OBSOLETE -2 PER ECN CM 473	2-18-86	CM/RS
✓			H	REVISED PER CM-2457	7-31-89	MC RS
✓			J	REV PER 0710-0427-95	26/SEP/95	PMF

**METRIC**

UNLESS OTHERWISE SPECIFIED DIMENSIONS ARE IN <del>INCHES</del> mm		CONTRACT NO		NONE		20-16 AWG MAGNET		505072-1	
TOLERANCES ON:		DR 10-13-77		FINISH		WIRE RANGE		PART NO	
DECIMALS ± 0.40		D.A. SALTZER							
ANGLES ± 1° 0'		CHK D.S. Heide 10/20/77							
MATERIAL		APPD B. Saltzer 10/24/77		NAME		AMP INCORPORATED		Harrisburg, Pa.	
0.50 BRASS		APPD		TERMINAL,					
FINISH		DSGN APPD		STUD RETAINING RING, AMPLIVAR					
SEE TABLE		OTHER APPD		SIZE		CODE IDENT NO		DRAWING NO	
				B		00779		505072	
				SCALE		4:1		SHEET	
								--	