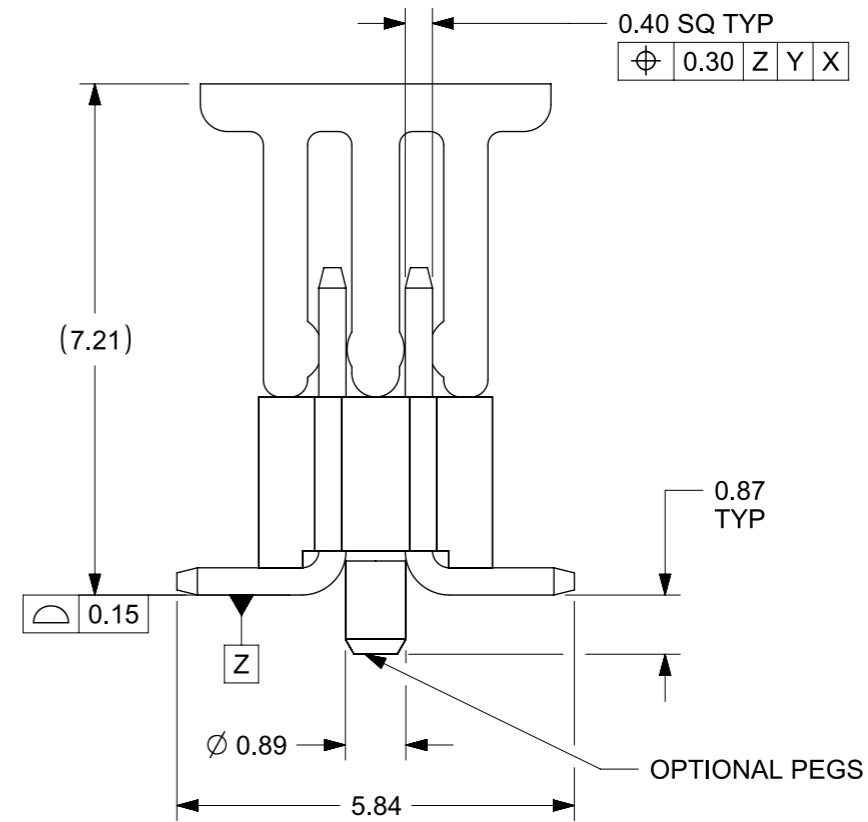
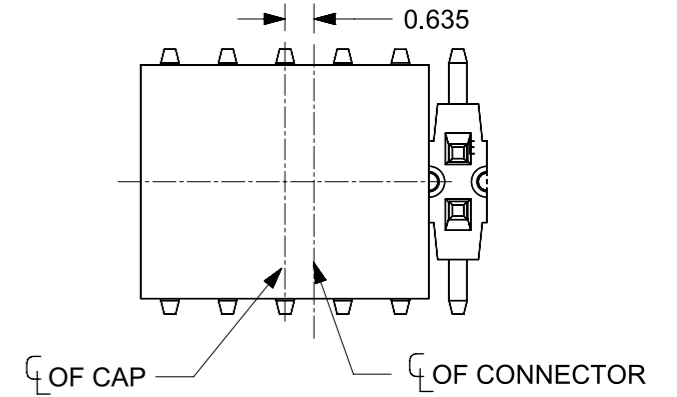
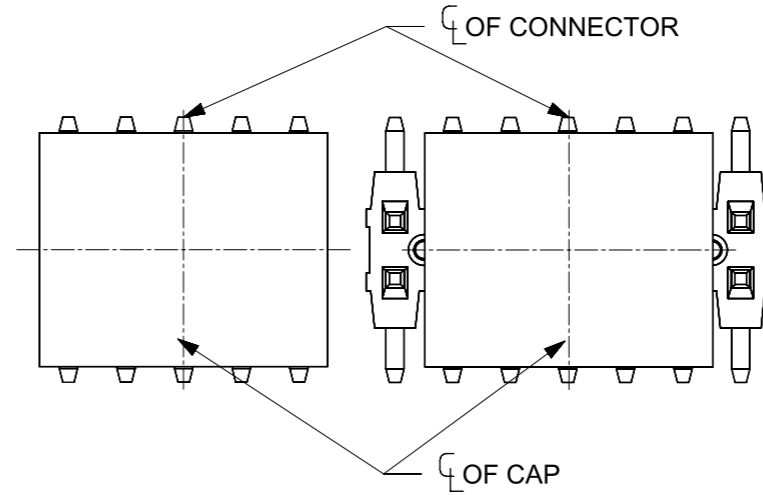


6 CAP POSITION WITH RESPECT TO CONNECTOR

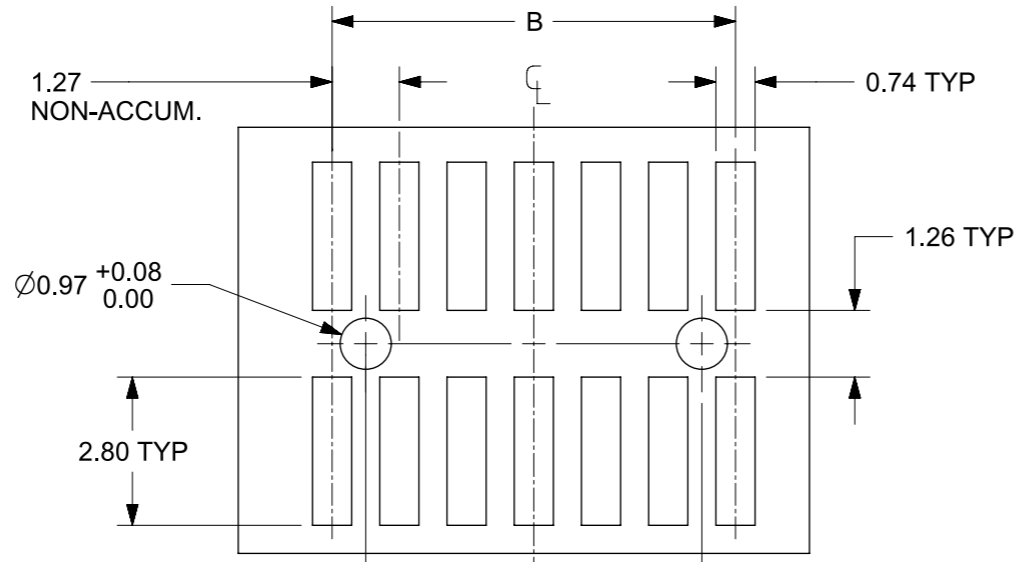
FOR CKT 10 & BELOW & CKT 14, 18, 22, 26, 30,  
34, 38, 42, 46, 50, 54, 58, 62, 66, 70, 74, 78, 82,  
86, 90, 94, 98

FOR 12, 16, 20, 24, 28, 32, 36, 40, 44, 48, 52,  
56, 60, 64, 68, 72, 76, 80, 84, 86, 92, 96, 100

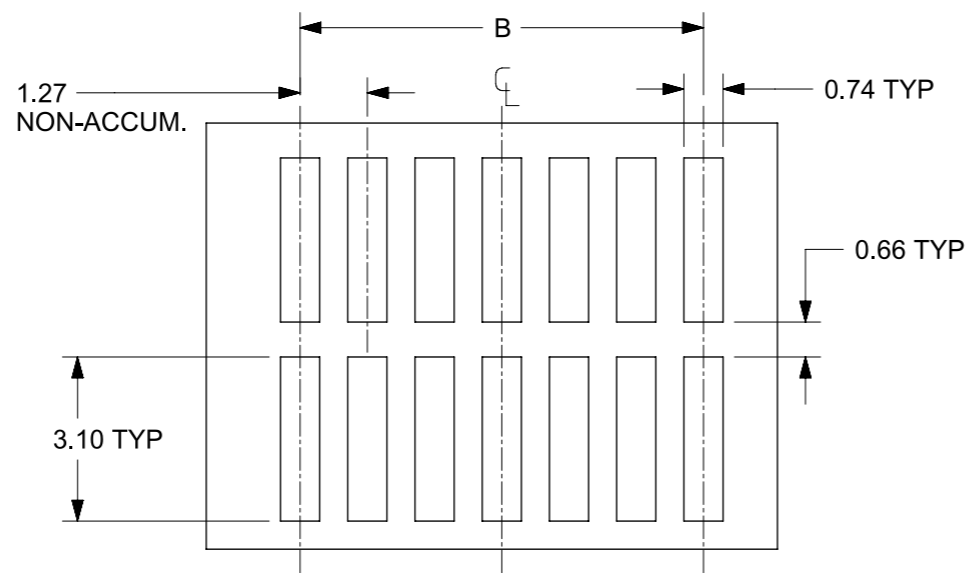


THIS DRAWING CONTAINS INFORMATION THAT IS PROPRIETARY TO MOLEX ELECTRONIC TECHNOLOGIES, LLC AND SHOULD NOT BE USED WITHOUT WRITTEN PERMISSION		CURRENT REV DESC:		<b>molex</b>	
DIMENSION UNITS	SCALE				
mm	NTS			1.27MM PITCH SMT HEADER WITH CAP PACKED IN TUBE	
GENERAL TOLERANCES (UNLESS SPECIFIED)				PRODUCT CUSTOMER DRAWING	
ANGULAR TOL ± 3.0°				DOCUMENT NUMBER	
4 PLACES ±		EC NO: 743277		SD-87933-0001	
3 PLACES ±		DRWN: DANUSA	2022/11/18	DOC TYPE	DOC PART
2 PLACES ± 0.2		CHK'D: SUAIFR	2023/03/22	PSD	000
1 PLACE ±		APPR: MRAMAKRISHNA	2023/03/23	REVISION	
0 PLACES ±		INITIAL REVISION:		C5	
DRAFT WHERE APPLICABLE MUST REMAIN WITHIN DIMENSIONS		DRWN: SCHEONG	2016/09/14	SHEET NUMBER	
THIRD ANGLE PROJECTION		APPR: SCHEONG	2016/11/10	SEE TABLE	GENERAL MARKET
DRAWING		SERIES	MATERIAL NUMBER	CUSTOMER	
A3-SIZE		87933	GENERAL MARKET	1 OF 6	

CKT SIZE	DIM A	DIM B	DIM C
4	2.54	1.27	-
6	3.81	2.54	-
8	5.08	3.81	-
10	6.35	5.08	3.81
12	7.62	6.35	-
14	8.89	7.62	-
16	10.16	8.89	-
18	11.43	10.16	-
20	12.70	11.43	10.16
22	13.97	12.70	-
24	15.24	13.97	-

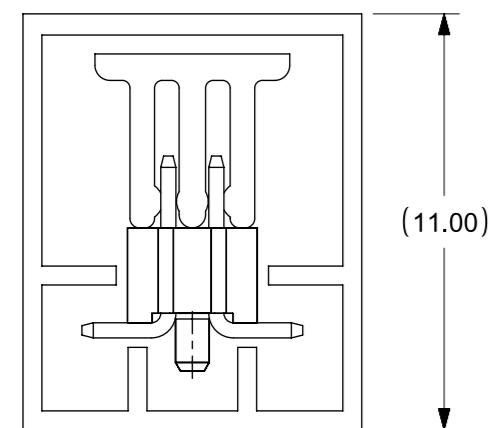


RECOMMENDED PCB LAYOUT  
(PARTS WITH PEGS)  
MANUFACTURING TOLERANCE ±0.05

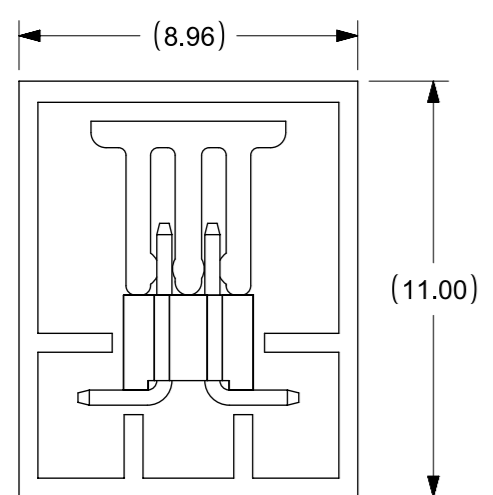


RECOMMENDED PCB LAYOUT  
(IMPROVED FOR WITHOUT PEGS OPTION)  
MANUFACTURING TOLERANCE ±0.05

- NOTE:
- MATERIAL: HOUSING: LCP GLASS FILLED, COLOR: BLACK  
TERMINAL: COPPER ALLOY
  - PIN PUSHOUT FORCE: 0.4KG MIN. IN EITHER DIRECTION.
  - PLATING FINISH:
    - 2 MICRO INCH MIN. GOLD FLASH OVERALL, 50 MICRO INCH MIN. NICKEL UNDERPLATED
    - 100 MICRO INCH MIN. TIN OVERALL, 50 MICRO INCH MIN. NICKEL UNDERPLATED
    - 30 MICRO INCH MIN. GOLD PLATE IN SELECTED AREA AND 80 MICRO INCH MIN. TIN IN SELECTED AREA OVER, 50 MICRO INCH MIN. NICKEL UNDERPLATED
    - 15 MICRO INCH MIN. GOLD PLATE IN SELECTED AREA AND 80 MICRO INCH MIN. TIN IN SELECTED AREA OVER, 50 MICRO INCH MIN. NICKEL UNDERPLATED
    - 2 MICRO INCH MIN. GOLD FLASH IN SELECTED AREA AND 100 MICRO INCH MIN. TIN IN SELECTED AREA OVER, 50 MICRO INCH MIN. NICKEL UNDERPLATED
  - THE ABOVE 14 CKT SHOWN IS FOR ILLUSTRATION ONLY.
  - PARTS TO BE PACKED IN TUBE EXCEPT FOR 4 CKTS.
  - POSITION OF CAP TO BE LOCATED AS SHOWN.
  - IRREGULAR CIRCUIT CUTOFF WITHIN BREAKAWAY SECTION IS PERMISSIBLE. CUTTING OR CHIPPING OF THE MAIN BODY IS NOT ACCEPTABLE.
  - PACKAGING SPECIFICATION REFER TO  
TUBE : PK-89990-565  
TAPE & REEL : PK-87933-300
  - PRODUCT SPECIFICATION: 879330001\_PS
  - MATED SERIES: 78120 EXCEPT FOR FULL TIN PLATING FINISH
  - PARTS CONFORMS TO CLASS "B" REQUIREMENT TO COSMETIC SPECIFICATION PS-45499-002



PART WITH PEG & CAP  
PACKED IN TUBE


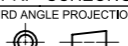


PART WITHOUT PEG &  
WITH CAP PACKED IN TUBE

THIS DRAWING CONTAINS INFORMATION THAT IS PROPRIETARY TO MOLEX ELECTRONIC TECHNOLOGIES, LLC AND SHOULD NOT BE USED WITHOUT WRITTEN PERMISSION		CURRENT REV DESC:		<b>molex</b>	
DIMENSION UNITS	SCALE				
mm	NTS			1.27MM PITCH SMT HEADER WITH CAP PACKED IN TUBE	
GENERAL TOLERANCES (UNLESS SPECIFIED)				PRODUCT CUSTOMER DRAWING	
ANGULAR TOL	± 3.0 °			DOCUMENT NUMBER	
4 PLACES	±	EC NO: 743277	2022/11/18	SD-87933-0001	
3 PLACES	±	DRWN: DANUSA	2023/03/22	DOC TYPE	DOC PART
2 PLACES	± 0.2	CHK'D: SUAIFR	2023/03/23	PSD	000
1 PLACE	±	APPR: MRAMAKRISHNA	2023/03/23	REVISION	C5
0 PLACES	±	INITIAL REVISION:			
DRAFT WHERE APPLICABLE MUST REMAIN WITHIN DIMENSIONS		DRWN: SCHEONG	2016/09/14		
THIRD ANGLE PROJECTION		APPR: SCHEONG	2016/11/10		
DRAWING		SERIES	MATERIAL NUMBER	CUSTOMER	
A3-SIZE		87933	SEE TABLE	GENERAL MARKET	
SHEET NUMBER		2 OF 6			

10		9		8		7		6		5		4		3		2		1	
P/N WITH CAP PACKED IN T&R	TOOLED	NOT TOOLED	P/N WITH CAP PACKED IN TUBE	PEG	CKT SIZE	PLATING OPTIONS	DIM. M	P/N WITH CAP PACKED IN T&R	TOOLED	NOT TOOLED	P/N WITH CAP PACKED IN TUBE	P/N WITHOUT CAP PACKED IN T&R	PEG	CKT SIZE	PLATING OPTIONS	DIM. M			
87933-0422		X	-	N	04	1	1.65	87933-0828		X	87933-0818	-	N	08	4	3.05			
87933-0438		X	-	N	04	2	1.65	87933-0824	X		87933-0823	-	N	08	5	3.05			
87933-0439		X	-	N	04	3	1.65	87933-1022	X		87933-1007	-	N	10	1	1.65			
87933-0440		X	-	N	04	4	1.65	87933-1038	X		87933-1008	-	N	10	2	1.65			
87933-0446		X	-	N	04	5	1.65	87933-1039	X		87933-1009	-	N	10	3	1.65			
87933-0441		X	-	N	04	1	1.91	87933-1040	X		87933-1010	-	N	10	4	1.65			
87933-0442		X	-	N	04	2	1.91	87933-1046	X		87933-1045	-	N	10	5	1.65			
87933-0443		X	-	N	04	3	1.91	87933-1041	X		87933-1011	-	N	10	1	1.91			
87933-0444		X	-	N	04	4	1.91	87933-1042	X		87933-1012	-	N	10	2	1.91			
87933-0448		X	-	N	04	5	1.91	87933-1043	X		87933-1013	-	N	10	3	1.91			
87933-0425		X	-	N	04	1	3.05	87933-1044	X		87933-1014	-	N	10	4	1.91			
87933-0426		X	-	N	04	2	3.05	87933-1048	X		87933-1047	-	N	10	5	1.91			
87933-0427		X	-	N	04	3	3.05	87933-1025	X		87933-1015	-	N	10	1	3.05			
87933-0428		X	-	N	04	4	3.05	87933-1026	X		87933-1016	-	N	10	2	3.05			
87933-0424		X	-	N	04	5	3.05	87933-1021	X		87933-1017	-	N	10	3	3.05			
87933-0622	X		87933-0607	N	06	1	1.65	87933-1028	X		87933-1018	C5 87933-1058	N	10	4	3.05			
87933-0638	X		87933-0608	N	06	2	1.65	87933-1024	X		87933-1023	-	N	10	5	3.05			
87933-0639	X		87933-0609	N	06	3	1.65	87933-1237		X	87933-1252	-	N	12	1	1.65			
87933-0640	X		87933-0610	N	06	4	1.65	87933-1238		X	87933-1258	-	N	12	2	1.65			
87933-0646	X		87933-0645	N	06	5	1.65	87933-1239		X	87933-1259	-	N	12	3	1.65			
87933-0641	X		87933-0611	N	06	1	1.91	87933-1240		X	87933-1260	-	N	12	4	1.65			
87933-0642	X		87933-0612	N	06	2	1.91	87933-1246		X	87933-1245	-	N	12	5	1.65			
87933-0643	X		87933-0613	N	06	3	1.91	87933-1241		X	87933-1261	-	N	12	1	1.91			
87933-0644	X		87933-0614	N	06	4	1.91	87933-1242		X	87933-1262	-	N	12	2	1.91			
87933-0648	X		87933-0647	N	06	5	1.91	87933-1243		X	87933-1263	-	N	12	3	1.91			
87933-0625	X		87933-0615	N	06	1	3.05	87933-1244		X	87933-1264	-	N	12	4	1.91			
87933-0626	X		87933-0616	N	06	2	3.05	87933-1248		X	87933-1247	-	N	12	5	1.91			
87933-0627	X		87933-0617	N	06	3	3.05	87933-1225		X	87933-1219	-	N	12	1	3.05			
87933-0628	X		87933-0618	N	06	4	3.05	87933-1229		X	87933-1220	-	N	12	2	3.05			
87933-0624	X		87933-0623	N	06	5	3.05	87933-1227		X	87933-1221	-	N	12	3	3.05			
87933-0822		X	87933-0807	N	08	1	1.65	87933-1232		X	87933-1222	-	N	12	4	3.05			
87933-0838		X	87933-0808	N	08	2	1.65	87933-1224		X	87933-1223	-	N	12	5	3.05			
87933-0839		X	87933-0809	N	08	3	1.65												
87933-0840		X	87933-0810	N	08	4	1.65												
87933-0846		X	87933-0845	N	08	5	1.65												
87933-0841		X	87933-0811	N	08	1	1.91												
87933-0842		X	87933-0812	N	08	2	1.91												
87933-0843		X	87933-0813	N	08	3	1.91												
87933-0844		X	87933-0814	N	08	4	1.91												
87933-0848		X	87933-0847	N	08	5	1.91												
87933-0825		X	87933-0815	N	08	1	3.05												
87933-0826		X	87933-0816	N	08	2	3.05												
87933-0827		X	87933-0817	N	08	3	3.05												


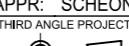
THIS DRAWING CONTAINS INFORMATION THAT IS PROPRIETARY TO MOLEX ELECTRONIC TECHNOLOGIES, LLC AND SHOULD NOT BE USED WITHOUT WRITTEN PERMISSION																	
DIMENSION UNITS		SCALE		CURRENT REV DESC:													
mm		NTS		 1.27MM PITCH SMT HEADER WITH CAP PACKED IN TUBE													
GENERAL TOLERANCES (UNLESS SPECIFIED)																	
ANGULAR TOL		± 3.0 °		EC NO: 743277 DRWN: DANUSA 2022/11/18 3 PLACES ± APPR: MRAMAKRISHNA 2023/03/22 PRODUCT CUSTOMER DRAWING INITIAL REVISION: DRWN: SCHEONG 2016/09/14 APPR: SCHEONG 2016/11/10 DOCUMENT NUMBER: SD-87933-0001 DOC TYPE: PSD DOC PART: 000 REVISION: C5													
4 PLACES		±															
2 PLACES		± 0.2															
1 PLACE		±															
0 PLACES		±															
DRAFT WHERE APPLICABLE MUST REMAIN WITHIN DIMENSIONS				THIRD ANGLE PROJECTION		DRAWING		SERIES		MATERIAL NUMBER		CUSTOMER		SHEET NUMBER			
						A3-SIZE		87933		SEE TABLE		GENERAL MARKET		3 OF 6			

DOCUMENT STATUS	P1	RELEASE DATE	2023/03/23	05:13:54
-----------------	----	--------------	------------	----------

10	9	8	7	6
P/N WITH CAP PACKED IN T&R	TOOLED	NOT TOOLED	P/N WITH CAP PACKED IN TUBE	DIM. M
87933-1422		X	87933-1407	1.65
87933-1438		X	87933-1408	1.65
87933-1439		X	87933-1409	1.65
87933-1440		X	87933-1410	1.65
87933-1446		X	87933-1445	1.65
87933-1441		X	87933-1411	1.91
87933-1442		X	87933-1412	1.91
87933-1443		X	87933-1413	1.91
87933-1444		X	87933-1414	1.91
87933-1448		X	87933-1447	1.91
87933-1425		X	87933-1415	3.05
87933-1426		X	87933-1416	3.05
87933-1427		X	87933-1417	3.05
87933-1428		X	87933-1418	3.05
87933-1424		X	87933-1423	3.05
87933-1622		X	87933-1607	1.65
87933-1638		X	87933-1608	1.65
87933-1639		X	87933-1609	1.65
87933-1640		X	87933-1610	1.65
87933-1646		X	87933-1645	1.65
87933-1641		X	87933-1611	1.91
87933-1642		X	87933-1612	1.91
87933-1643		X	87933-1613	1.91
87933-1644		X	87933-1614	1.91
87933-1648		X	87933-1647	1.91
87933-1625		X	87933-1615	3.05
87933-1626		X	87933-1616	3.05
87933-1627		X	87933-1617	3.05
87933-1628		X	87933-1618	3.05
87933-1624		X	87933-1623	3.05
87933-1822		X	87933-1807	1.65
87933-1838		X	87933-1808	1.65
87933-1839		X	87933-1809	1.65
87933-1840		X	87933-1810	1.65
87933-1846		X	87933-1845	1.65
87933-1841		X	87933-1811	1.91
87933-1842		X	87933-1812	1.91
87933-1843		X	87933-1813	1.91
87933-1844		X	87933-1814	1.91
87933-1848		X	87933-1847	1.91
87933-1825		X	87933-1815	3.05
87933-1826		X	87933-1816	3.05
87933-1827		X	87933-1817	3.05

5	4	3	2	1
P/N WITH CAP PACKED IN T&R	TOOLED	NOT TOOLED	P/N WITH CAP PACKED IN TUBE	DIM. M
87933-1828	X		87933-1818	3.05
87933-1824	X		87933-1823	3.05
87933-2037	X		87933-2007	1.65
87933-2038	X		87933-2008	1.65
87933-2039	X		87933-2009	1.65
87933-2040	X		87933-2010	1.65
87933-2046	X		87933-2045	1.65
87933-2041	X		87933-2011	1.91
87933-2042	X		87933-2012	1.91
87933-2043	X		87933-2013	1.91
87933-2044	X		87933-2014	1.91
87933-2048	X		87933-2047	1.91
87933-2025	X		87933-2015	3.05
87933-2026	X		87933-2016	3.05
87933-2027	X		87933-2017	3.05
87933-2021	X		87933-2018	3.05
87933-2024	X		87933-2023	3.05
87933-2237		X	87933-2207	1.65
87933-2238		X	87933-2208	1.65
87933-2239		X	87933-2209	1.65
87933-2240		X	87933-2210	1.65
87933-2246		X	87933-2245	1.65
87933-2241		X	87933-2211	1.91
87933-2242		X	87933-2212	1.91
87933-2243		X	87933-2213	1.91
87933-2244		X	87933-2214	1.91
87933-2248		X	87933-2247	1.91
87933-2225		X	87933-2215	3.05
87933-2226		X	87933-2216	3.05
87933-2227		X	87933-2217	3.05
87933-2228		X	87933-2218	3.05
87933-2224		X	87933-2223	3.05

THIS DRAWING CONTAINS INFORMATION THAT IS PROPRIETARY TO MOLEX ELECTRONIC TECHNOLOGIES, LLC AND SHOULD NOT BE USED WITHOUT WRITTEN PERMISSION											
DIMENSION UNITS		SCALE		CURRENT REV DESC:							
mm		NTS									
GENERAL TOLERANCES (UNLESS SPECIFIED)				EC NO: 743277 DRWN: DANUSA 2022/11/18 CHK'D: SUAIFR 2023/03/22 APPR: MRAMAKRISHNA 2023/03/23				1.27MM PITCH SMT HEADER WITH CAP PACKED IN TUBE			
ANGULAR TOL ± 3.0°											
4 PLACES ±								PRODUCT CUSTOMER DRAWING			
3 PLACES ±											
2 PLACES ± 0.2											
1 PLACE ±				DOCUMENT NUMBER		DOC TYPE	DOC PART	REVISION			
0 PLACES ±				INITIAL REVISION:		SD-87933-0001		PSD	000	C5	
DRAFT WHERE APPLICABLE MUST REMAIN WITHIN DIMENSIONS		THIRD ANGLE PROJECTION		DRAWING		SERIES		MATERIAL NUMBER		CUSTOMER	SHEET NUMBER
				A3-SIZE		87933		SEE TABLE		GENERAL MARKET 4 OF 6	

10	9	8	7	6	5	4	3	2	1
P/N WITH CAP PACKED IN T&R	TOOLED	NOT TOOLED	P/N WITH CAP PACKED IN TUBE	PEG	CKT SIZE	PLATING OPTIONS	DIM. M		
87933-2437		X	87933-2407	N	24	1	1.65		
87933-2438		X	87933-2408	N	24	2	1.65		
87933-2439		X	87933-2409	N	24	3	1.65		
87933-2440		X	87933-2410	N	24	4	1.65		
87933-2446		X	87933-2445	N	24	5	1.65		
87933-2441		X	87933-2411	N	24	1	1.91		
87933-2442		X	87933-2412	N	22	2	1.91		
87933-2443		X	87933-2413	N	24	3	1.91		
87933-2444		X	87933-2414	N	24	4	1.91		
87933-2448		X	87933-2447	N	24	5	1.91		
87933-2425		X	87933-2415	N	24	1	3.05		
87933-2426		X	87933-2416	N	24	2	3.05		
87933-2427		X	87933-2417	N	24	3	3.05		
87933-2428		X	87933-2418	N	24	4	3.05		
87933-2424		X	87933-2423	N	24	5	3.05		

THIS DRAWING CONTAINS INFORMATION THAT IS PROPRIETARY TO MOLEX ELECTRONIC TECHNOLOGIES, LLC AND SHOULD NOT BE USED WITHOUT WRITTEN PERMISSION									
DIMENSION UNITS		SCALE		CURRENT REV DESC:				<b>molex</b>	
mm		NTS							
GENERAL TOLERANCES (UNLESS SPECIFIED)				EC NO: 743277 DRWN: DANUSA 2022/11/18 CHK'D: SUAIFR 2023/03/22 APPR: MRAMAKRISHNA 2023/03/23				1.27MM PITCH SMT HEADER WITH CAP PACKED IN TUBE	
ANGULAR TOL ± 3.0 °									
4 PLACES		±		INITIAL REVISION: DRWN: SCHEONG 2016/09/14 APPR: SCHEONG 2016/11/10				DOCUMENT NUMBER	
3 PLACES		±						SD-87933-0001	
2 PLACES		± 0.2		MATERIAL NUMBER				GENERAL MARKET	
1 PLACE		±						SEE TABLE	
0 PLACES		±		DRAWING		SERIES		SHEET NUMBER	
DRAFT WHERE APPLICABLE MUST REMAIN WITHIN DIMENSIONS				THIRD ANGLE PROJECTION		A3-SIZE		87933	

DOCUMENT STATUS	P1	RELEASE DATE	2023/03/23	05:13:54
-----------------	----	--------------	------------	----------

BOARD TO BOARD (BTB) DISTANCE

HEADER	MATES WITH (RECEPTACLE)	BTB DIST.	PICTORIAL VIEW
87933	78120	7.57	

THIS DRAWING CONTAINS INFORMATION THAT IS PROPRIETARY TO MOLEX ELECTRONIC TECHNOLOGIES, LLC AND SHOULD NOT BE USED WITHOUT WRITTEN PERMISSION											
DIMENSION UNITS	SCALE	CURRENT REV DESC:									
mm	NTS										
GENERAL TOLERANCES (UNLESS SPECIFIED)		EC NO: 743277 DRWN: DANUSA 2022/11/18 CHK'D: SUAIFR 2023/03/22 APPR: MRAMAKRISHNA 2023/03/23				1.27MM PITCH SMT HEADER WITH CAP PACKED IN TUBE					
ANGULAR TOL ± 3.0 °						PRODUCT CUSTOMER DRAWING					
4 PLACES ±						INITIAL REVISION:		DOCUMENT NUMBER	DOC TYPE	DOC PART	REVISION
3 PLACES ±						DRWN: SCHEONG 2016/09/14		SD-87933-0001	PSD	000	C5
2 PLACES ± 0.2						APPR: SCHEONG 2016/11/10					
1 PLACE ±		THIRD ANGLE PROJECTION		DRAWING	SERIES	MATERIAL NUMBER	CUSTOMER	SHEET NUMBER			
0 PLACES ±				A3-SIZE	87933	SEE TABLE	GENERAL MARKET	6 OF 6			
DRAFT WHERE APPLICABLE MUST REMAIN WITHIN DIMENSIONS											

DOCUMENT STATUS	P1	RELEASE DATE	2023/03/23	05:13:54
-----------------	----	--------------	------------	----------