

4

3

2

1

THIS DRAWING IS UNPUBLISHED.

RELEASED FOR PUBLICATION

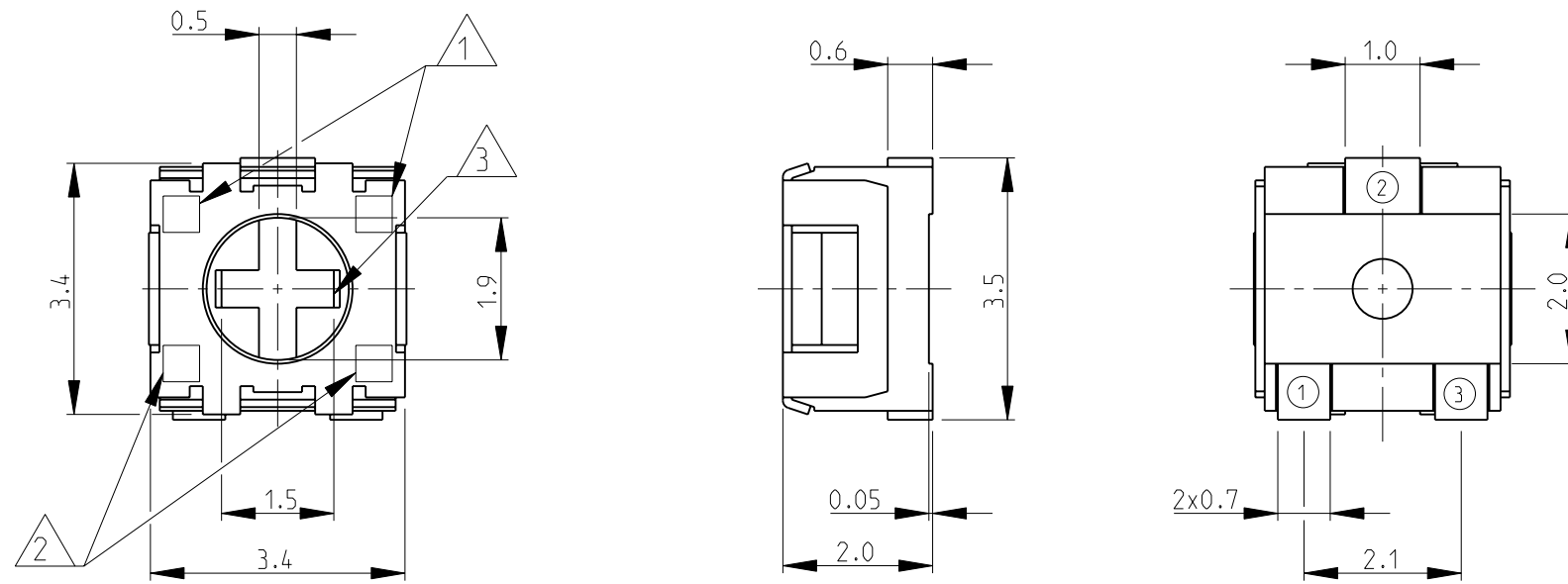
2008

© COPYRIGHT 2008 BY -

ALL RIGHTS RESERVED.

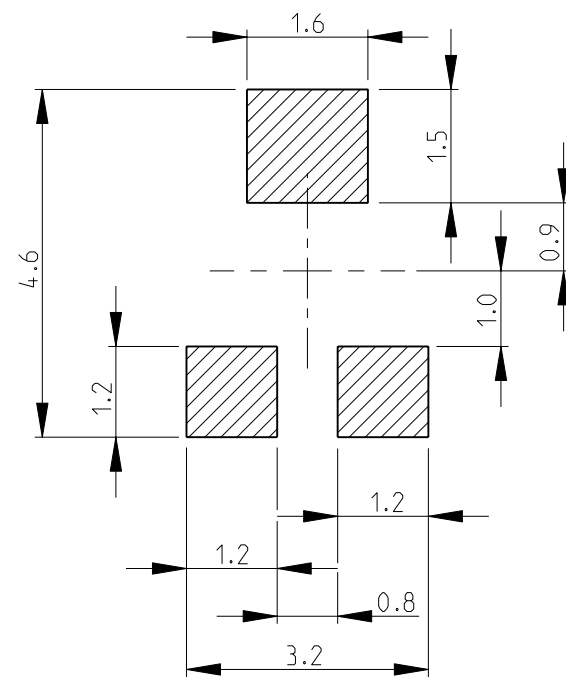
| LOC | DIST | REVISIONS | | | |
|-----|------|-------------|---------------------------|-----------|--------|
| P | LTR | DESCRIPTION | DATE | DWN | APVD |
| E | B | BA1 | REVISED PER ECO-11-005150 | 29MAR2011 | RK HMR |

- 1 DATE CODE
- 2 RESISTANCE CODE 2 DIGITS
- 3 CROSS SLOT FOR "0" BIT DRIVER, DEPTH: 0.45mm
- 4 FOR FURTHER INFORMATION SEE DATA SHEET FOR 3203 SERIES-SMD TRIMMERS

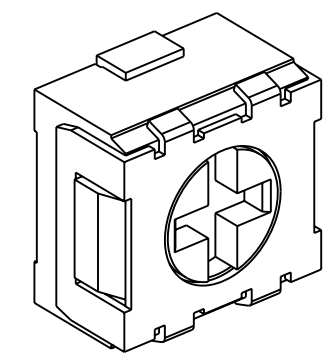
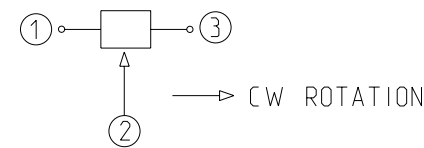



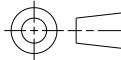
RoHS Compliant

RECOMMENDED LAND PATTERN



CIRCUIT DIAGRAM



| | | | | | |
|---|-------|------------------|---------------------|-----------|---|
| THIS DRAWING IS A CONTROLLED DOCUMENT. | | DWN | SUBHASH.M 12-NOV-08 | |  TE Connectivity |
| DIMENSIONS: mm | | CHK | PRAKASH.S 12-NOV-08 | | |
|  | | APVD | STEPHEN.P 12-NOV-08 | | |
| TOLERANCES UNLESS OTHERWISE SPECIFIED: | | PRODUCT SPEC | NAME | | |
| 0 PLC | ± 0.2 | SMD TRIMMERS | | | |
| 1 PLC | ± 0.1 | SERIES 3203 | | | |
| 2 PLC | ± - | APPLICATION SPEC | - | | |
| 3 PLC | ± - | WEIGHT | - | | |
| 4 PLC | ± - | SIZE | A3 | CAGE CODE | 00779 |
| ANGLES | ± 5° | DRAWING NO | C= 1623916 | | RESTRICTED TO |
| FINISH | - | SCALE | 10:1 | | SHEET 1 OF 1 |
| MATERIAL | - | CUSTOMER DRAWING | - | | REV BA1 |