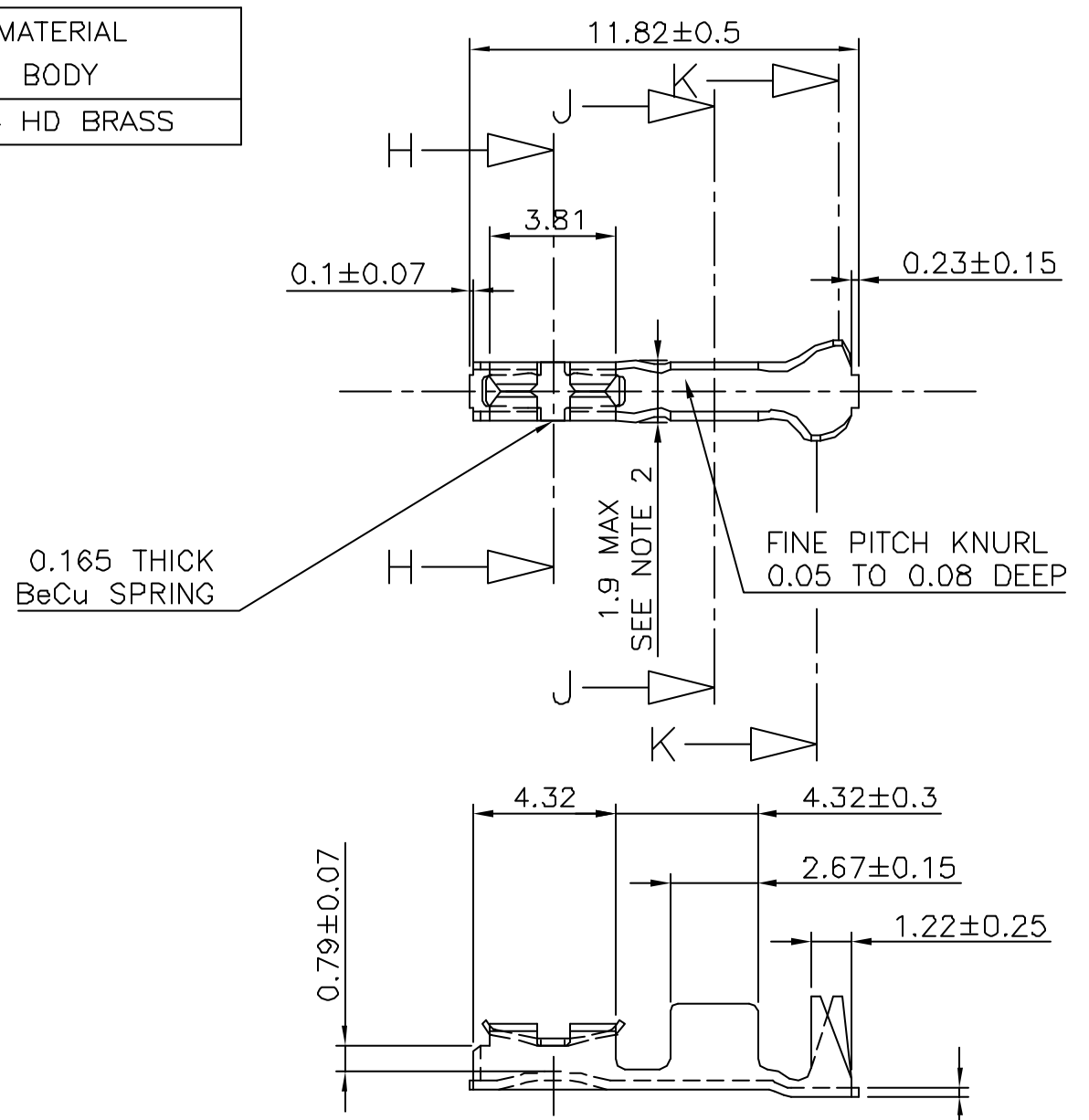
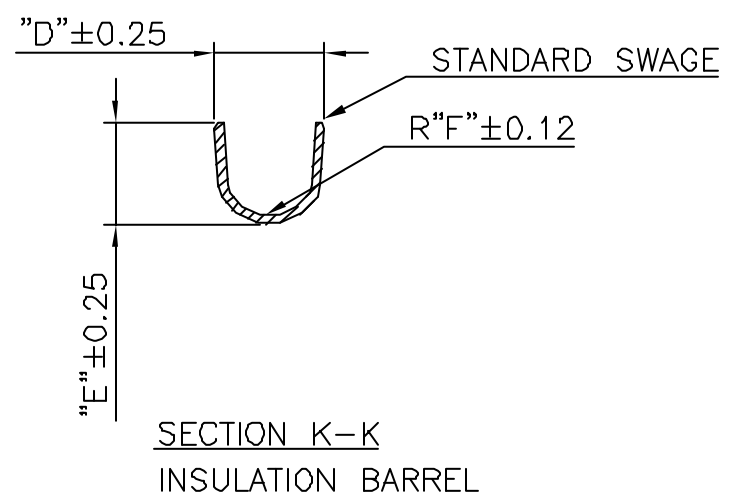
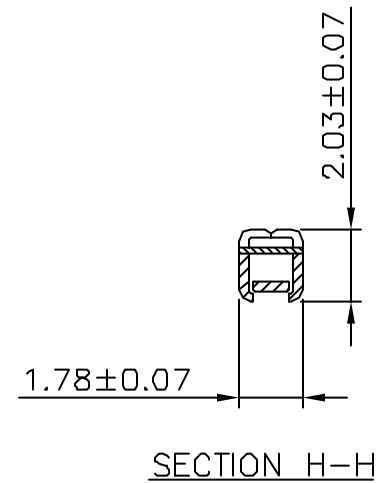
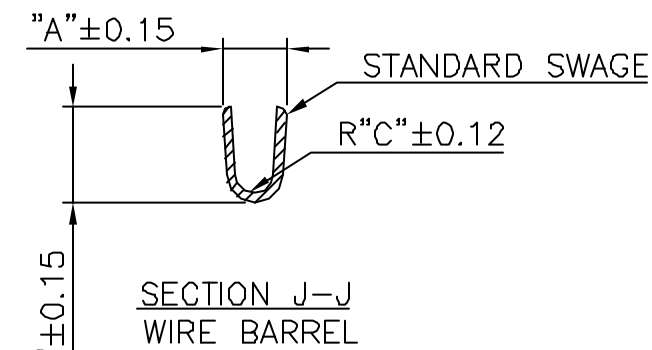


PRODUCT NO.	WIRE BARREL			INSULATION BRL.			AWG RANGE	BODY PLATING	SPRING PLATING	MATERIAL BODY
	A	B	C	D	E	F				
75369-003LF	2.64	2.64	0.53	3.53	3.05	1.27	18-20	1.0 μm GOLD	2.0 μm GOLD	1/4 HD BRASS

FOR LEAD FREE IDENTIFICATION.  
SEE NOTES

JUMBO PV DISCRETE CONTACT		
WIRE SIZE AWG	CRIMP HEIGHT	INSULATION DIA.
18-20	1.07-1.12	1.07-2.62
22-26	0.81-0.86	0.91-2.62
28-32	0.66-0.71	0.71-1.37

RECOMMENDED WIRE STRIP LENGTH: 3.81±0.25



- NOTES:
- PART TO MATE WITH 1.02 ROUND OR SQUARE PIN
  - DIM ONLY FOR -003
  - PERFORMANCE TEST ACCORDING TO BUS-12-110
  - 75369-XXXLF IS SIMILAR TO 75369-XXX, THE SUFFIX 'LF' IS ADDED FOR LEAD FREE IDENTIFICATION.

5- RoHS COMPATIBLE PRODUCT SPECIFICATIONS  
 a - LABELING:  
 - MEETS PACKAGING SPECS AS PER GS-14-920  
 b - LEGAL STATEMENT: SEE GS-22-008  
 THE PRODUCT IS NOT INTENDED TO BE EXPOSED TO A MANUFACTURING SOLDER PROCESS.

mat'l. code		surface		tolerance		projection		product family	
SEE DRAWING		ISO 1302 ✓		ISO 406 ISO 101		101		BERGCON	
ltr	ecn no	dr	date	tolerances unless otherwise specified		mm		title	
K	6986	A00	86.05.21	±13		mm		JUMBO P.V. ASSEMBLY	
L	F90399	DLE	99.07.20	linear		scale 10:1		dwg no	
M	F90611	DLE	99.08.02	±2'		FCJ		75369	
N	F00427	DLE	00.05.29	dr	D LEGRAND	99.07.20	sheet 1 of 1		size
P	F05-0235	DLE	05.08.25	engr	AESCBACHER	99.07.20	A3		
R	F05-0286	DLE	05.11.07	chr	COMPAGNON	99.07.20	type		CUSTOMER Drawing
S	F06-0217	DLE	06.07.11	appd	MAE	99.07.20			
sheet index	revision sheet								