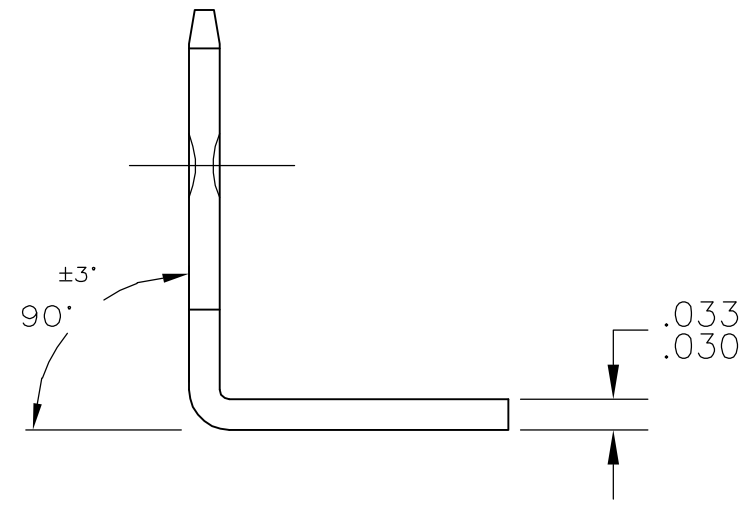
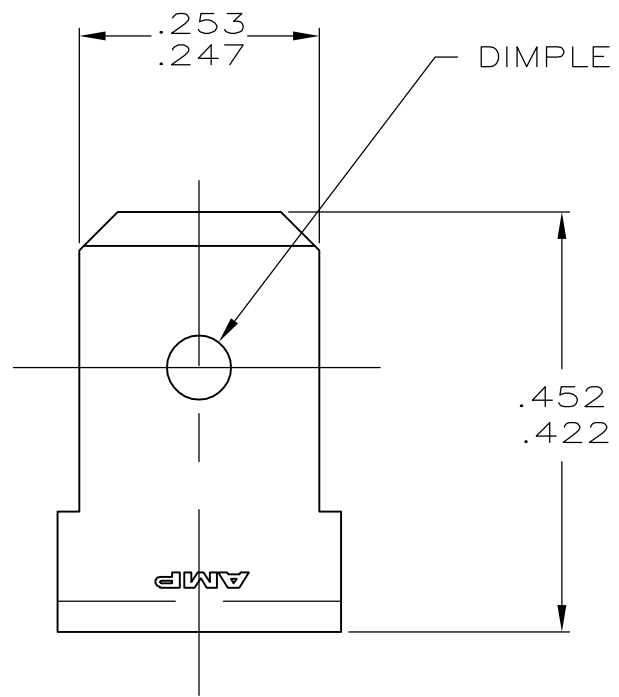
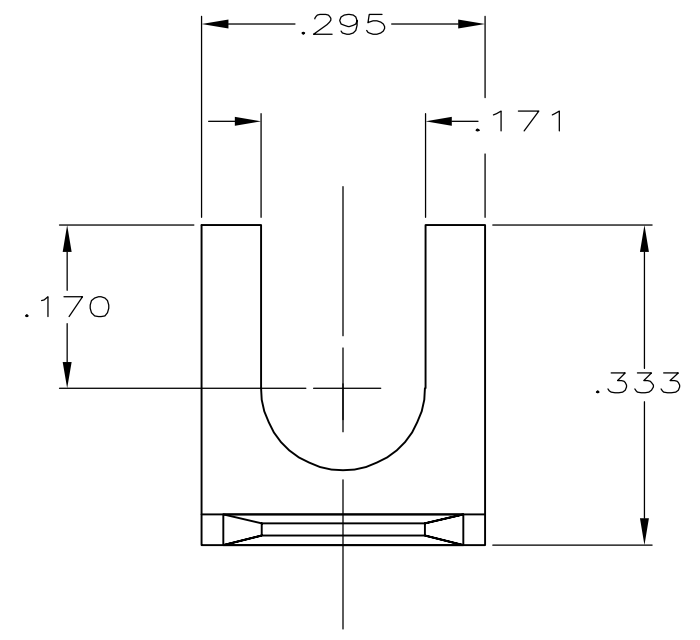


THIS DRAWING IS UNPUBLISHED. RELEASED FOR PUBLICATION
 © COPYRIGHT - BY TYCO ELECTRONICS CORPORATION. ALL RIGHTS RESERVED.

LOC	DIST	REVISIONS			
P	LTR	DESCRIPTION	DATE	DWN	APVD
AF	50	J	REV PER ECR-05-017287	10APR06	HMR JR

1 SUPPLIED IN LOOSE PIECE.



62166-1
PART NO.

THIS DRAWING IS A CONTROLLED DOCUMENT.		DWN	JR RUTH	5/13/98	 Tyco Electronics Corporation Harrisburg, PA 17105-3608
DIMENSIONS: INCHES		CHK	MS FEHER	5/13/98	
		APVD	J WORMAN	5/13/98	
TOLERANCES UNLESS OTHERWISE SPECIFIED:		PRODUCT SPEC		NAME	
0 PLC ± - 1 PLC ± - 2 PLC ± - 3 PLC ± .015 4 PLC ± - ANGLES ± -		APPLICATION SPEC		TAB, FASTON, .250 SERIES	
MATERIAL		WEIGHT		SIZE	RESTRICTED TO
082 BRASS		-		A3 00779	-
FINISH		CUSTOMER DRAWING		DRAWING NO	SCALE
-		-		C-62166	5:1
				SHEET	REV
				1 OF 1	J