
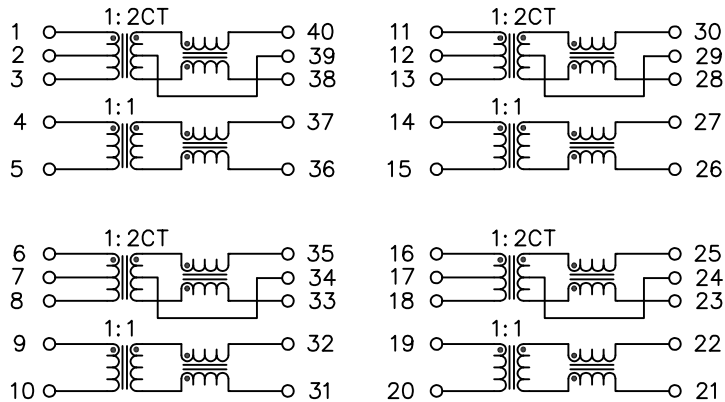


ELECTRICAL CHARACTERISTICS AT +25°C

NOTES: UNLESS OTHERWISE SPECIFIED

1.

NOTICE:	THIS IS A RoHS COMPLIANT COMPONENT/PRODUCT.
RoHS 	ALL ENGINEERING CHANGES MUST HAVE PRIOR APPROVAL BY THE DESIGN CENTER.
2. PLASTIC: THERMOSET PLASTIC MATERIAL WITH FLAMMABILITY RATING UL 94V-0 OR BETTER.
3. SOLDERABILITY: CONFORMS TO ANSI/J-STD-002, 245°C REFLOW PEAK TEMPERATURE PER IPC/EIA J-STD-003A
4. OPERATING TEMPERATURE: -40°C TO +85°C
5. STORAGE TEMPERATURE: -50°C TO +125°C
6. JEDEC MOISTURE: LEVEL 1.
7. DIMENSIONS ARE IN INCHES WITH THE FOLLOWING TOLERANCES:
.XX= ±.02
.XXX= ±.010

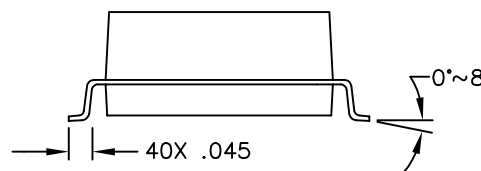
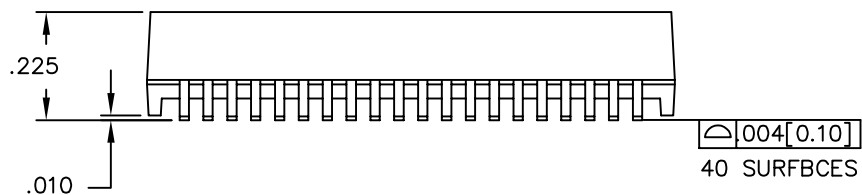
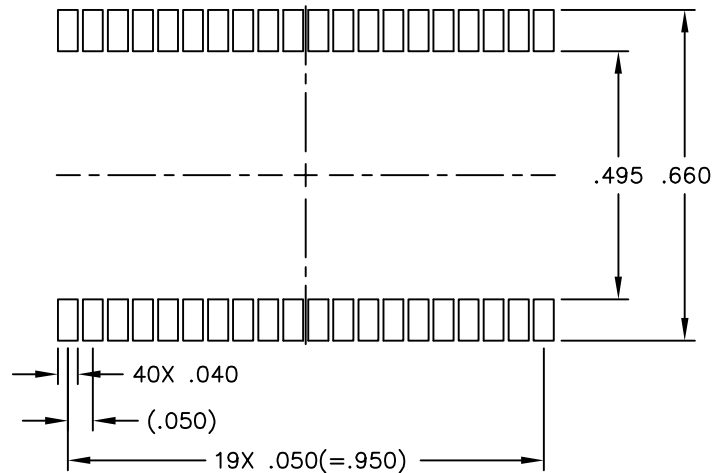
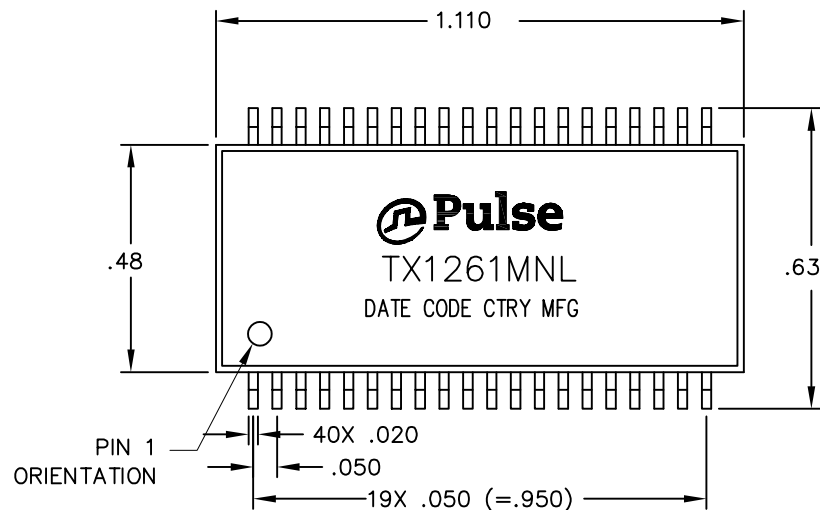


SCHMATIC

NO.	PARAMETER	SPECIFICATIONS
1	TURNS RATIO @ 100 KHZ, 0.1 VRMS	$\frac{(40-38)}{(1-3)} = \frac{(35-33)}{(6-8)} = \frac{(30-28)}{(11-13)} = \frac{(25-23)}{(16-18)} = 2.0 \pm 2\%$ $\frac{(37-36)}{(4-5)} = \frac{(32-31)}{(9-10)} = \frac{(27-26)}{(14-15)} = \frac{(22-21)}{(19-20)} = 1.0 \pm 2\%$ $\frac{(40-39)}{(39-38)} = \frac{(35-34)}{(34-33)} = \frac{(30-29)}{(29-28)} = \frac{(25-24)}{(24-23)} = 1.0 \pm 2\%$ $\frac{(1-2)}{(2-3)} = \frac{(6-7)}{(7-8)} = \frac{(11-12)}{(12-13)} = \frac{(16-17)}{(17-18)} = 1.0 \pm 2\%$
2	INDUCTANCE (OCL) @ 100 KHZ, 0.02 VRMS	$(40-38)=(37-36)=(35-33)=(32-31) = 1.20$ mH MINIMUM $(30-28)=(27-26)=(25-23)=(22-21) = 1.20$ mH MINIMUM
3	LEAKAGE INDUCTANCE @ 100 KHZ, 0.02 VRMS	(1-3) WITH (40-38) SHORTED = 0.7 uH MAXIMUM (4-5) WITH (37-36) SHORTED = 0.7 uH MAXIMUM (6-8) WITH (35-33) SHORTED = 0.7 uH MAXIMUM (9-10) WITH (32-31) SHORTED = 0.7 uH MAXIMUM (11-13) WITH (30-28) SHORTED = 0.7 uH MAXIMUM (14-15) WITH (27-26) SHORTED = 0.7 uH MAXIMUM (16-18) WITH (25-23) SHORTED = 0.7 uH MAXIMUM (19-20) WITH (22-21) SHORTED = 0.7 uH MAXIMUM
4	CWW @ 100 KHZ, 1 VRMS	(1-3) TO (40-38) = 35 pF MAXIMUM (4-5) TO (37-36) = 35 pF MAXIMUM (6-8) TO (35-33) = 35 pF MAXIMUM (9-10) TO (32-31) = 35 pF MAXIMUM (11-13) TO (30-28) = 35 pF MAXIMUM (14-15) TO (27-26) = 35 pF MAXIMUM (16-18) TO (25-23) = 35 pF MAXIMUM (19-20) TO (22-21) = 35 pF MAXIMUM
5	DC RESISTANCE	$(40-38) = (37-36) = (35-33) = (32-31) = 2.5$ OHMS MAXIMUM $(30-28) = (27-26) = (25-23) = (22-21) = 2.5$ OHMS MAXIMUM $(1-3) = (4-5) = (6-8) = (9-10) = 0.8$ OHMS MAXIMUM $(11-13) = (14-15) = (16-18) = (19-20) = 0.8$ OHMS MAXIMUM
6	HIPOT	1650 VRMS FOR 6 SECS

© Copyright, 2013. Pulse Electronics Corp. All rights reserved. Drawing specifications subject to change without notice. (08/07/13)

PULSE CONFIDENTIAL & PROPRIETARY	PRODUCT DESCRIPTION	PS DRAWING	SHEET:	DWG. NO./ PART NO.	REV.
	FXMR,OCTAL,E1,40-PIN TOU OPEN HEADER,1:2CT,1:1	PS-0002.002-B	1	TX1261MNL	M10



© Copyright, 2013. Pulse Electronics Corp. All rights reserved. Drawing specifications subject to change without notice. (08/07/13)

PULSE CONFIDENTIAL & PROPRIETARY	PRODUCT DESCRIPTION	PS DRAWING	SHEET:	DWG. NO./ PART NO.	REV.
	XFMR,OCTAL,E1,40-PIN TOU OPEN HEADER,1:2CT,1:1	PS-0002.002-B	2	TX1261MNL	M10