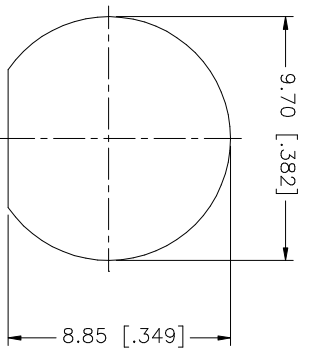
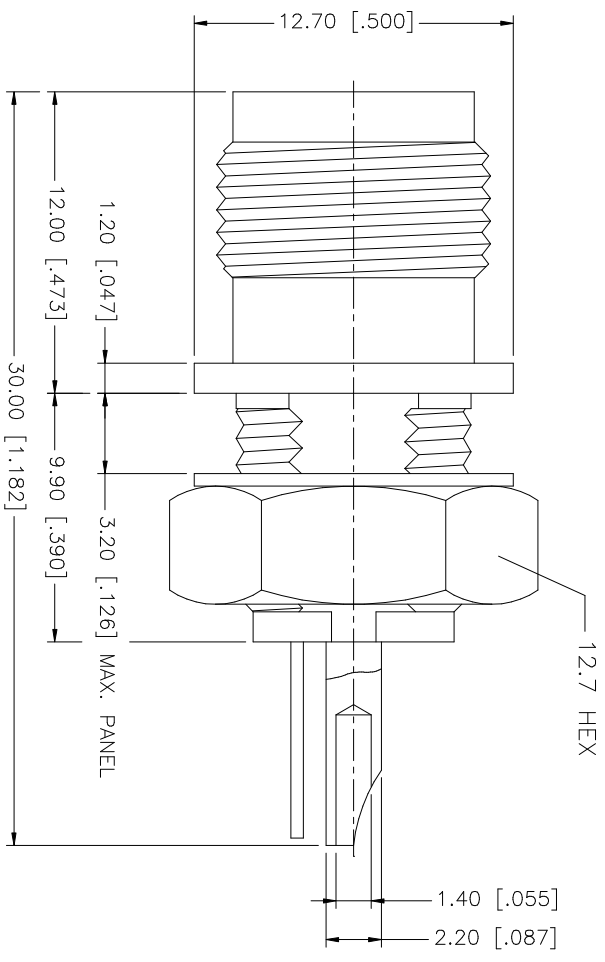


REV.	DATE	DESCRIPTION
NC	02/21/97	INITIAL RELEASE
A	07/27/97	REVISE CONTACT PIN MATERIAL
B	08/30/06	UPDATE DRAWING FORMAT



RECOMMENDED
MOUNTING HOLE

UNLESS OTHERWISE SPECIFIED DIMENSIONS ARE IN MILLIMETERS. DIMENSIONS IN [] ARE IN INCHES AND FOR SUBSTITUTION REFERENCED ONLY.	UNLESS OTHERWISE SPECIFIED TOLERANCES FOR MILLIMETERS ARE:	UNLESS OTHERWISE SPECIFIED TOLERANCES FOR INCHES ARE:	APPROVALS	DATE	PART DESCRIPTION	PART NO.	DWG. NO.	REV.	SIZE	SCALE
0.5 - 8mm ± 0.20mm	0.20 - .315 = ± 0.007"	0.020 - .315 = ± 0.007"	DRAWN	08/30/06	Amphenol Connex	BULKHEAD RECEPTACLE ISOLATED JACK	1223338.DWG	B	A	NA
8 - 30mm ± 0.40mm	.315 - 1.180 = ± 0.015"	.315 - 1.180 = ± 0.015"	CHECKED							
30 - 120mm ± 0.50mm	1.180 - 4.724 = ± 0.020"	1.180 - 4.724 = ± 0.020"	ISSUED							
			SHEET	1 OF 1						
CONTACT PIN	BER. COPPER	GOLD								
INSULATOR	NYLON	NATURAL								
BODY	BRASS	NICKEL								
DESCRIPTION	MATERIAL	FINISH	QTY	DO NOT SCALE DRAWING	CAO FILE	C:/122/1223338.DWG				