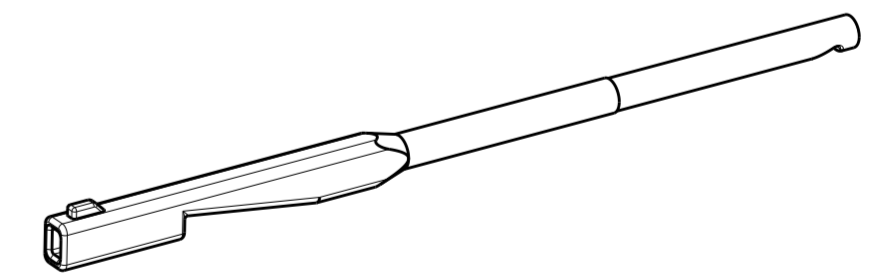
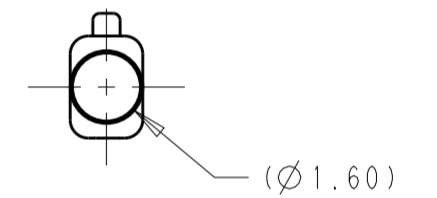
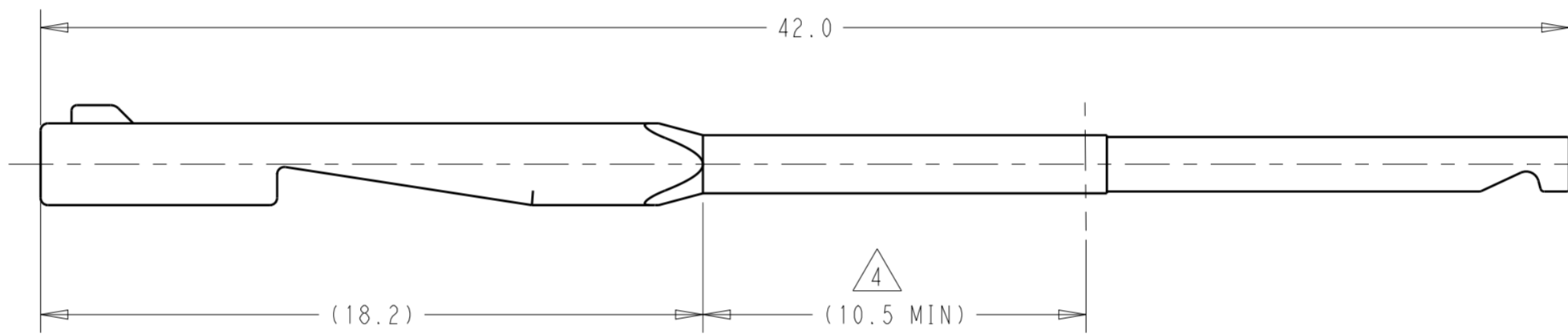
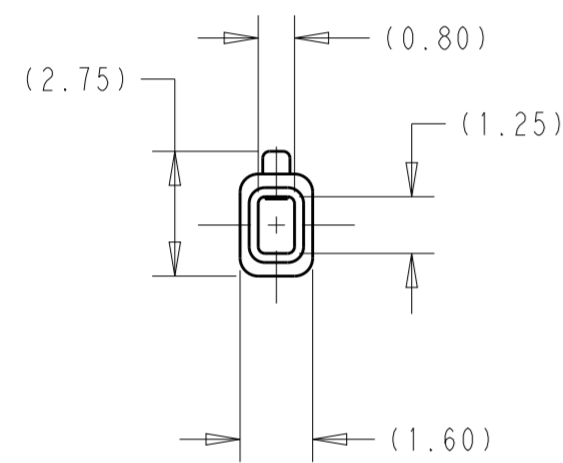


P	LTR	DESCRIPTION	DATE	DWN	APVD
	A	REVISED PER ECO-20-015752	06NOV2020	AB	DW

1. PART NUMBER 2377194-1 AS SHOWN ON DRAWING.
2. MATERIAL: PBT, 15% GLASS FILLED.
COLOR: SEE TABLE
3. NOTE DELETED.
4. SEALING SURFACE IN THIS AREA.



SCALE 3:1

NATURAL	CAVITY PLUG, MAT SEAL, 0.64 GENERATION Y, MALE	2377194-1
COLOR	DESCRIPTION	PART NO

THIS DRAWING IS A CONTROLLED DOCUMENT.		DWN A. BETGAR 28 JUL 2020	TE Connectivity		
DIMENSIONS:		CHK D. WISSLER 29 JUL 2020			NAME CAVITY PLUG, MAT SEAL, 0.64 GENERATION Y, MALE
mm		APVD D. BROWN 30 JUL 2020			PRODUCT SPEC -
TOLERANCES UNLESS OTHERWISE SPECIFIED:		APPLICATION SPEC -	SIZE A2	CAGE CODE 00779	
0 PLC ±-		WEIGHT -	DRAWING NO C-2377194	RESTRICTED TO -	
1 PLC ±0.4		CUSTOMER DRAWING	SCALE 6:1	SHEET 1 OF 1	
2 PLC ±0.20				REV A	
3 PLC ±-					
4 PLC ±-					
ANGLES ±1°					
FINISH					
MATERIAL					
2					