

4

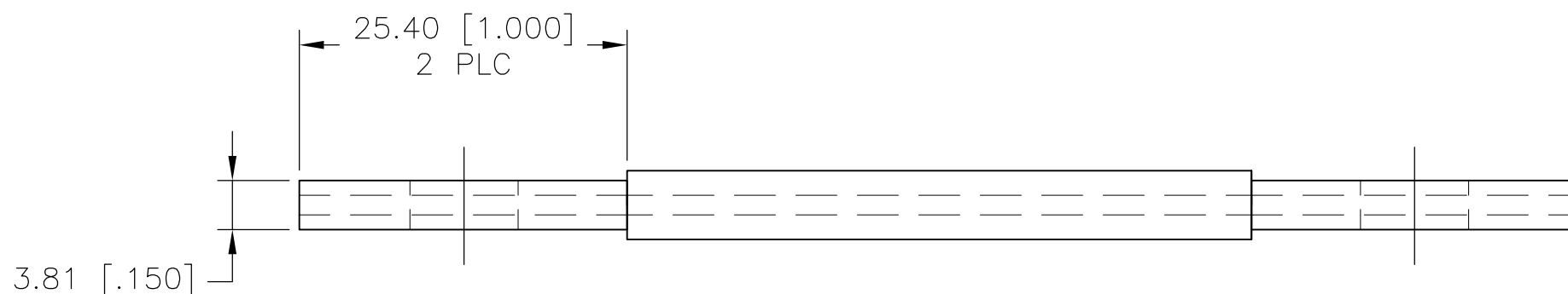
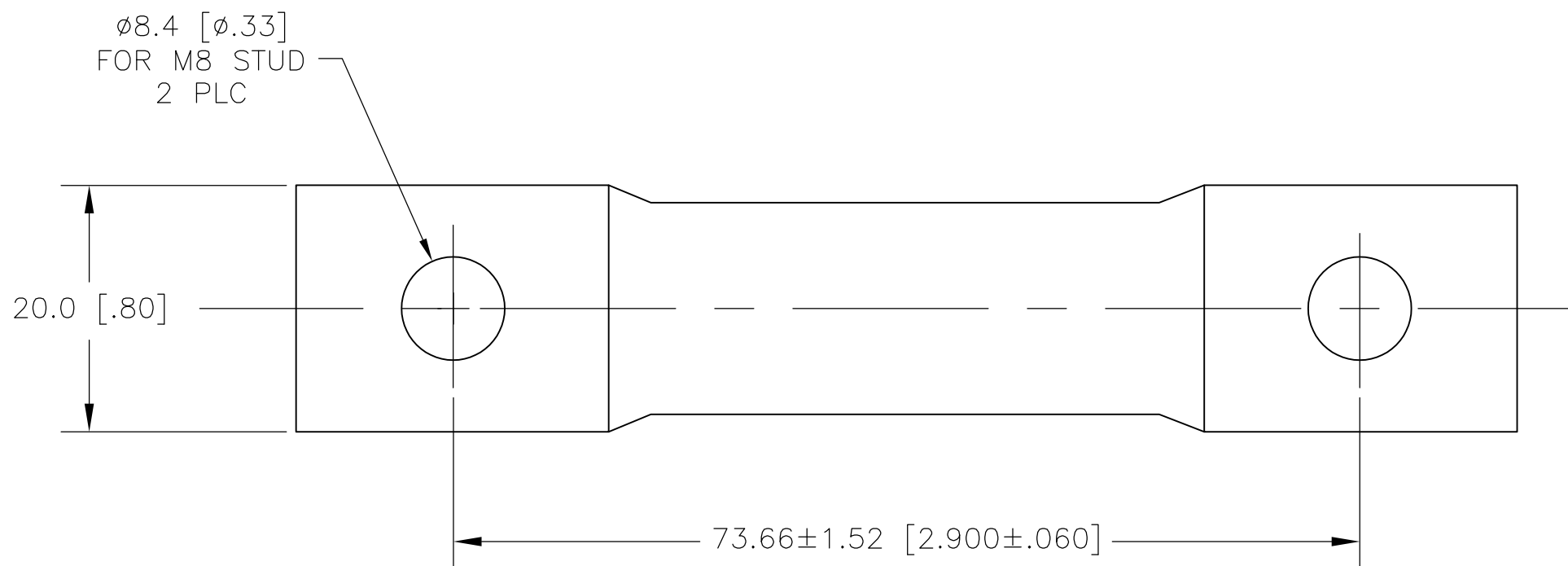
3

2

1

THIS DRAWING IS UNPUBLISHED. RELEASED FOR PUBLICATION
© COPYRIGHT BY TYCO ELECTRONICS CORPORATION. ALL INTERNATIONAL RIGHTS RESERVED.

LOC G	DIST 86	REVISIONS			
P	LTR	DESCRIPTION	DATE	DWN	APVD
	B	REVISED PER ECR-09-001663	22JAN09	JR	TM



- 1 MATERIAL: ELECTROLYTIC TINNED COPPER BRAID OR EQUIVALENT
HIGH RESISTANCE 105°C DIELECTRIC MATERIAL
- 2 ALL SHARP EDGES BROKEN AND BURRS REMOVED
- 3 ITEM FREE OF DIRT, OIL, GREASE, AND ALL CONTAMINANTS.

1958289-1

PART NO

THIS DRAWING IS A CONTROLLED DOCUMENT.		DWN jr_ruth 19DEC08	Tyco Electronics Corporation Harrisburg, PA 17105-3608														
DIMENSIONS: mm [INCHES]		CHK TOM MICHIELUTTI 19DEC08	NAME														
TOLERANCES UNLESS OTHERWISE SPECIFIED:		APVD TOM MICHIELUTTI 19DEC08	INSULATED INTERCONNECT FOR BATTERY CELL														
<table border="0"> <tr><td>0 PLC</td><td>± -</td></tr> <tr><td>1 PLC</td><td>± 2.5 [.1]</td></tr> <tr><td>2 PLC</td><td>± 0.25 [.010]</td></tr> <tr><td>3 PLC</td><td>± -</td></tr> <tr><td>4 PLC</td><td>± -</td></tr> <tr><td>ANGLES</td><td>± 5°</td></tr> </table>		0 PLC	± -	1 PLC	± 2.5 [.1]	2 PLC	± 0.25 [.010]	3 PLC	± -	4 PLC	± -	ANGLES	± 5°	PRODUCT SPEC -	APPLICATION SPEC -	SIZE A3	CAGE CODE 00779
0 PLC	± -																
1 PLC	± 2.5 [.1]																
2 PLC	± 0.25 [.010]																
3 PLC	± -																
4 PLC	± -																
ANGLES	± 5°																
MATERIAL 1	FINISH 1	WEIGHT -	DRAWING NO G-1958289	RESTRICTED TO -													
CUSTOMER DRAWING			SCALE 2:1	SHEET 1 OF 1	REV B												