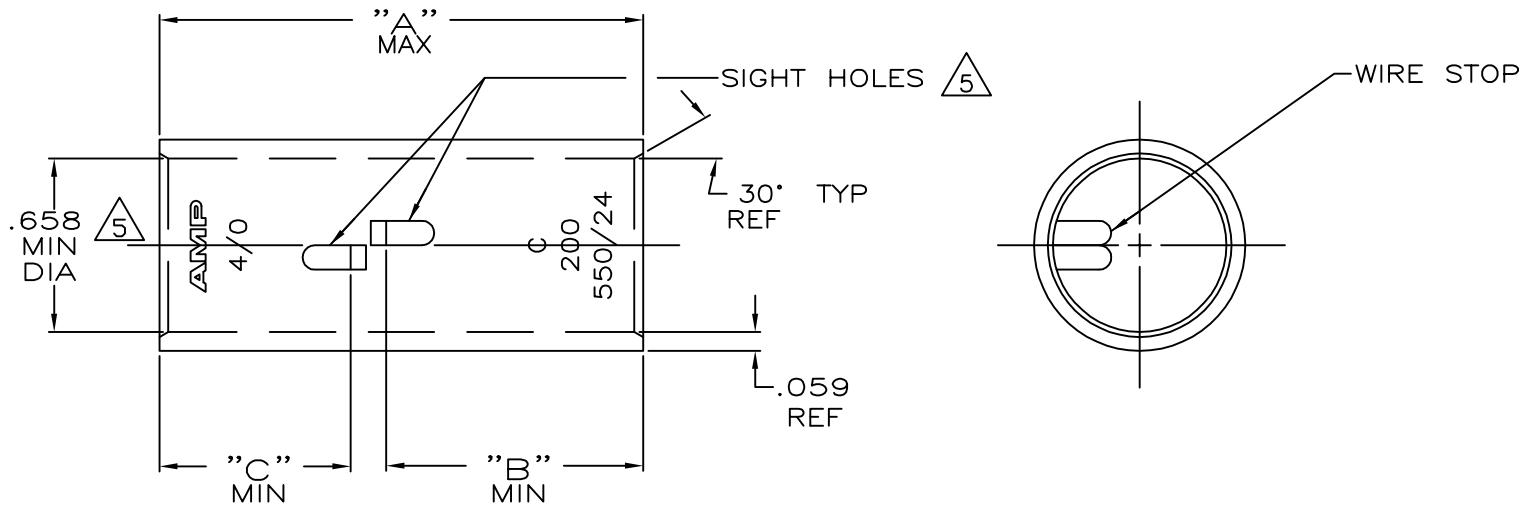


THIS DRAWING IS UNPUBLISHED. RELEASED FOR PUBLICATION
 © COPYRIGHT - By - ALL RIGHTS RESERVED.

LOC	DIST	REVISIONS		
G	86	P	LTR	DESCRIPTION
		R		ECR-13-000998
			DATE	DWN
			09FEB2013	PK
				APVD
				HS



- △1 TIN PL .000150 MIN THK PER ASTM B 545
- △2 PART NO: 324461; .071 LB.
PART NO: 1-324461-0; .071 LB.
PART NO: 2-324461-2; .082 LB.
PART NO: 2-324461-3; .082 LB.
- △3 CLEANED, UNPLATED
- △4 PRELIMINARY - NOT FOR PRODUCTION
.045 MAX BURR ALLOWED INSIDE THE WIRE BARREL ID IN AREA OF SIGHT HOLE.
- △5

.72	.97	1.89	190,000-	△1	COPPER	2-324461-3
			231,000	△3		ASTM-B-75
.72	.72	1.65	CM	△3	ANNEALED	△4 1-324461-0
				△1		324461
"C"	"B"	"A"	WIRE RANGE	FINISH	MATERIAL	PART No

THIS DRAWING IS A CONTROLLED DOCUMENT.		DWN	4/24/89		SPLICE, BUTT, AMPPOWER WIRE SIZE: 4/0 AWG
		CHK	4/24/89		
		MS FEHER			
		APVD	11/8/89		
DIMENSIONS: INCHES		PRODUCT SPEC		NAME	
		APPLICATION SPEC		SIZE	
MATERIAL		WEIGHT		CAGE CODE	
SEE TABLE		△2		A3 00779	
FINISH		CUSTOMER DRAWING		DRAWING NO	
SEE TABLE				C=324461	
		SCALE		SHEET	
		2:1		1 OF 1	
		REV		R	