

GPS/Galileo + GLONASS Ceramic Patch Antenna



APAKN2504-C2G-T

25.0 x 25.0 x 4.0mm
RoHS/RoHS II Compliant
MSL = 1

FEATURES

- Gain of 3.6 dBi
- 1575.42 and 1602 MHz bands
- RHCP polarization
- 25.0 x 25.0 x 4.0mm form factor

APPLICATIONS

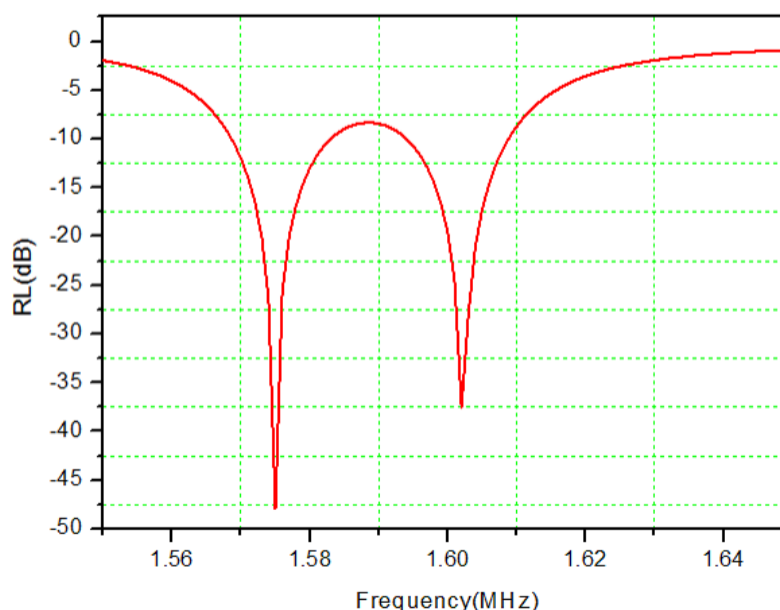
- GPS/GNSS
- Galileo
- GLONASS
- IoT
- Remote technology/monitoring
- M2M

ELECTRICALSPECIFICATIONS

Parameters	min	Typ.	Max.	Units	Note
Application Band: GPS / Galileo		1575.42±1.023		MHz	(On a 70*70mm Ground Plane)
Return Loss: GPS / Galileo			-10	dB	
Gain (Peak): GPS / Galileo		3.6		dBi	
Application Band: GLONASS		1602±5.0		MHz	(On a 70*70mm Ground Plane)
Return Loss: GLONASS			-10	dB	
Gain (Peak): GLONASS		3.6		dBi	
Polarization Model	RHCP				
Impedance	50			Ω	
Frequency Temperature Coefficient			20	ppm/°C	

(*) Application environment, including size of the ground plane, proximity to adjacent components, etc., will affect stated performance. Fine tuning might be required when installed on end-customer's PCB. Abracon offers Antenna Optimization Service, please contact Abracon.

RETURN LOSS CHARACTERISTIC



Return Loss characteristic shows a dual band response for GPS/Galileo & GLONASS



5101 Hidden Creek Ln Spicewood TX 78669
Phone: 512-371-6159 | Fax: 512-351-8858
For terms and conditions of sales, please visit:
www.abracon.com

REVISED: 05.11.2020

ABRACON IS
ISO9001-2015
CERTIFIED

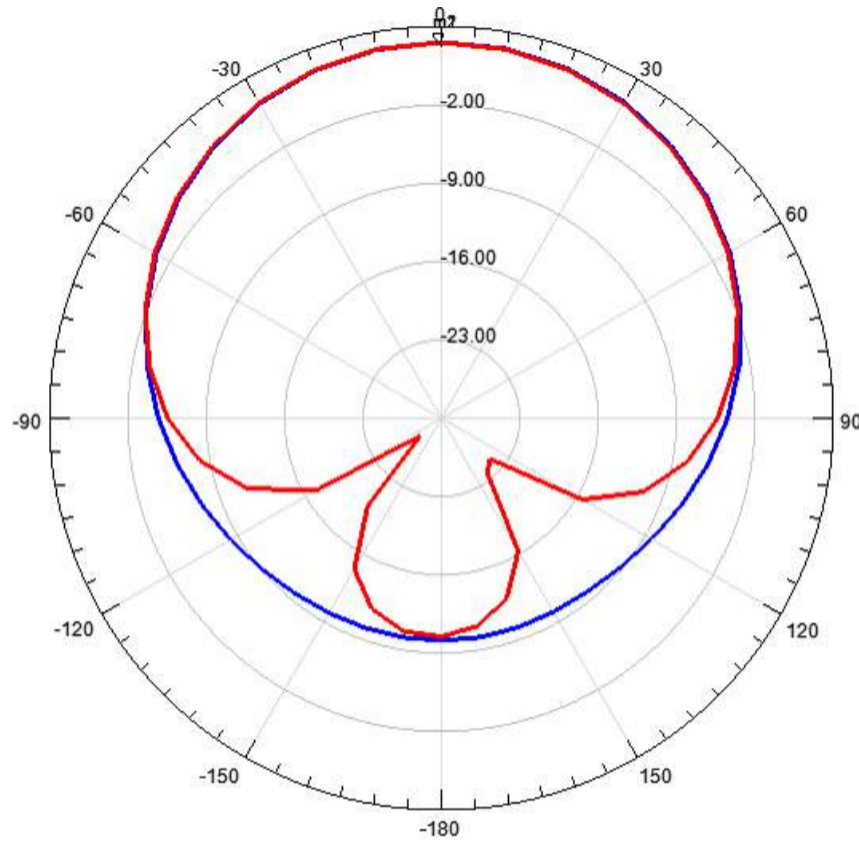
GPS/Galileo + GLONASS Ceramic Patch Antenna



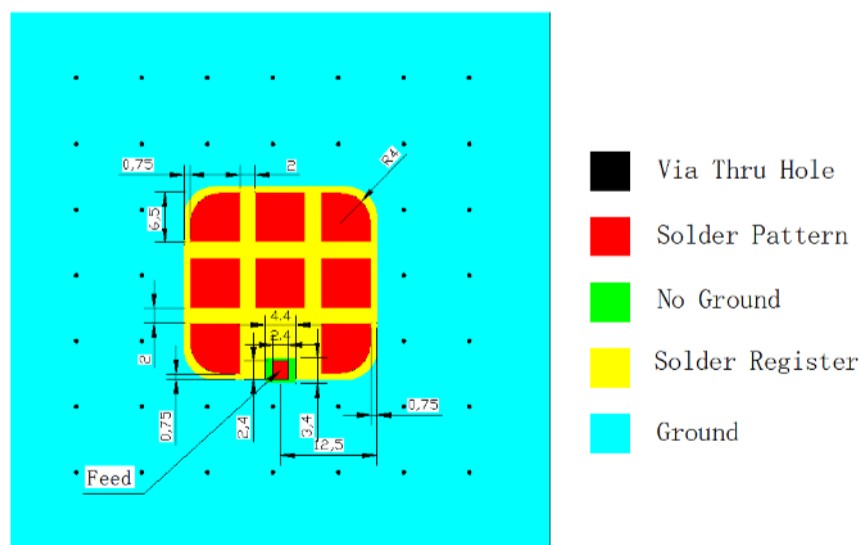
APAKN2504-C2G-T

25.0 x 25.0 x 4.0mm
RoHS/RoHS II Compliant
MSL = 1

RADIATION PATTERN (X-Y PLANE)



LANDING PATTERN



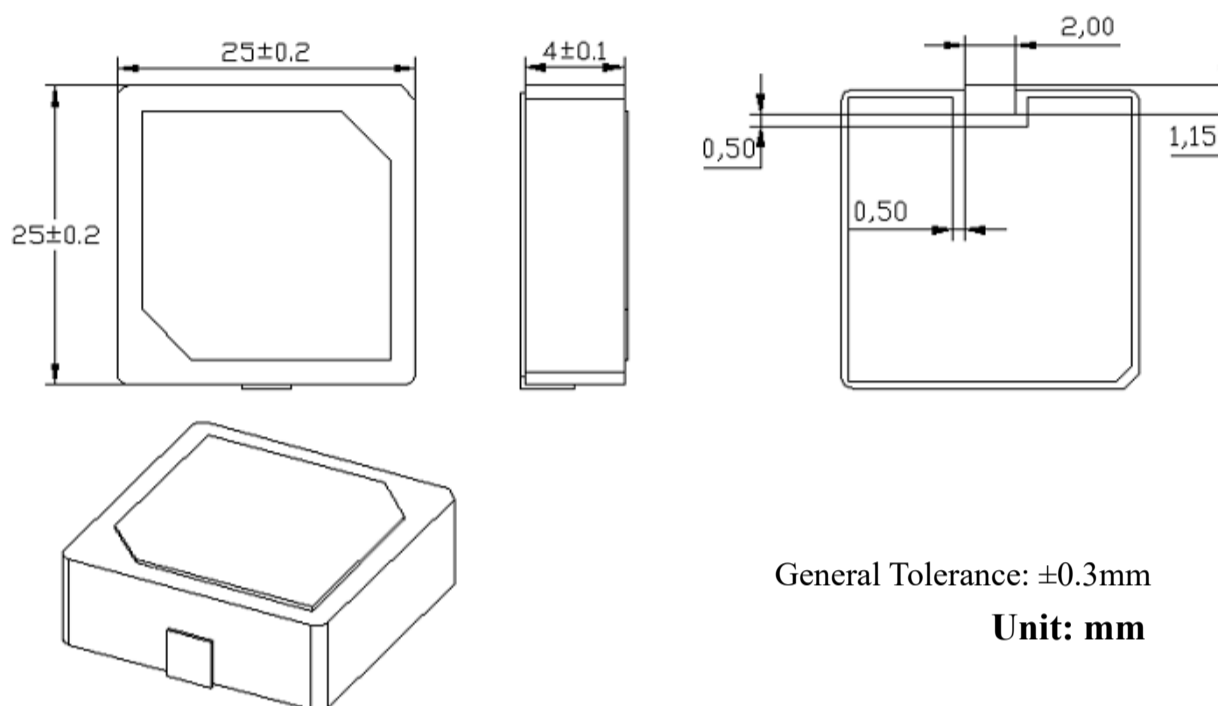
GPS/Galileo + GLONASS Ceramic Patch Antenna



APAKN2504-C2G-T

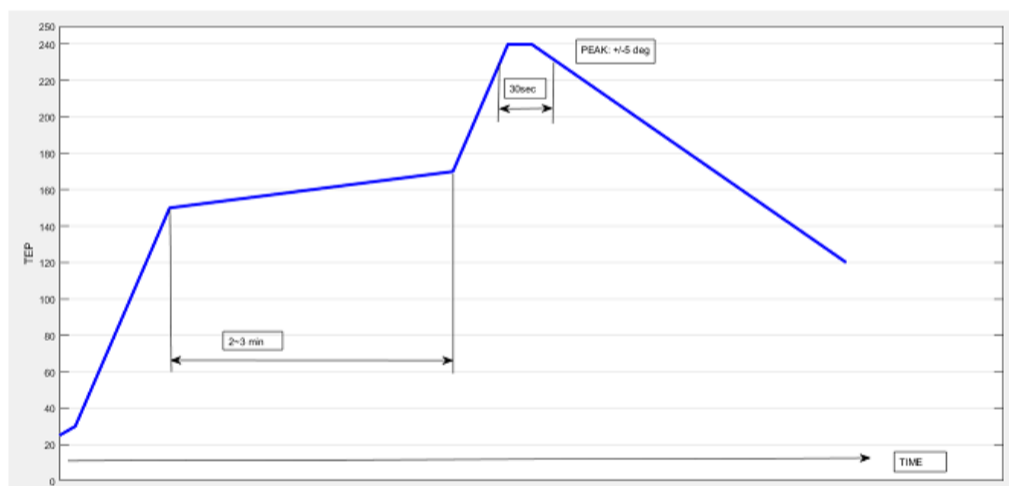
25.0 x 25.0 x 4.0mm
RoHS/RoHS II Compliant
MSL = 1

OUTLINEDIMENSIONS



REFLOW PROFILE

Solder Paste: Sn/Ag/Cu: 96.5/3.0/0.5
Recommended reflow condition:



PACKAGING

Package is made of corrugated paper with thickness of 0.8cm. Carton has 4 inner boxes; each box has 1 vacuum bag.

Quantity:

Per package base	: 50 elements
Per vacuum bag	: 5 package bases
Per inner box	: 1 vacuum bag
Per package	: 4 inner boxes
Total No of piece/package	: 1000
Gross Weight	: 12 Kg
Carton Dimensions	: 37x37x17cm



5101 Hidden Creek Ln Spicewood TX 78669
Phone: 512-371-6159 | Fax: 512-351-8858
For terms and conditions of sales, please visit:
www.abracon.com

REVISED: 05.11.2020

ABRACON IS
ISO9001-2015
CERTIFIED