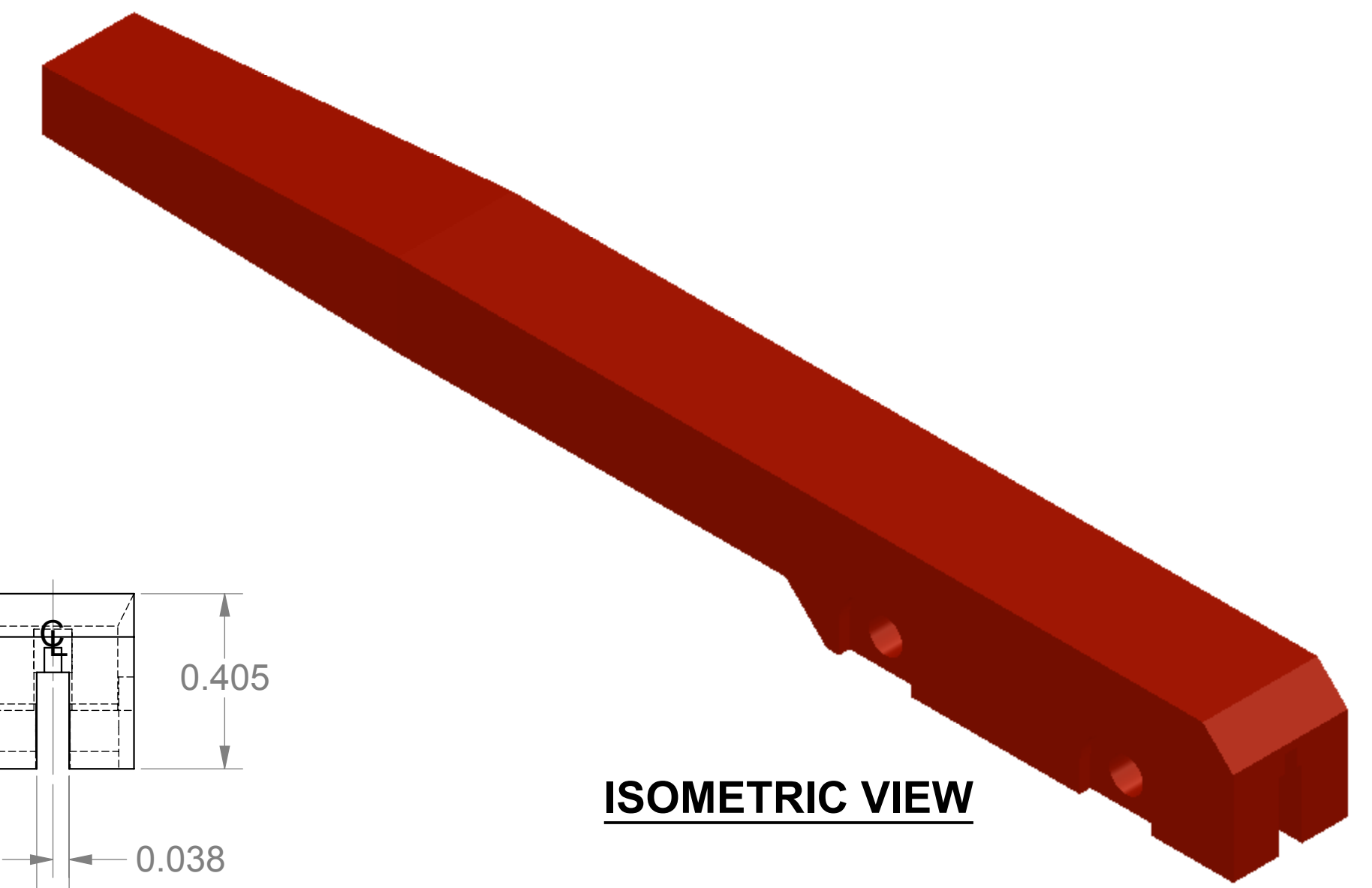
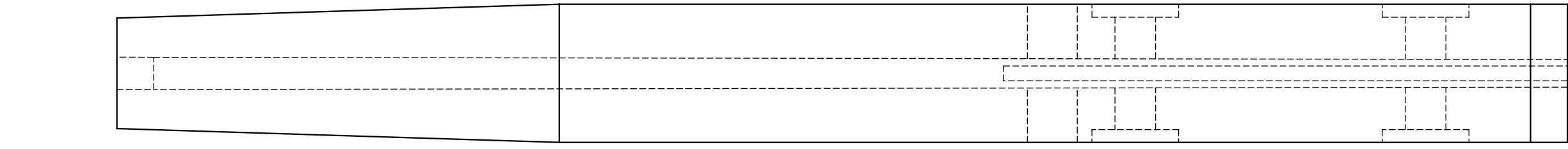
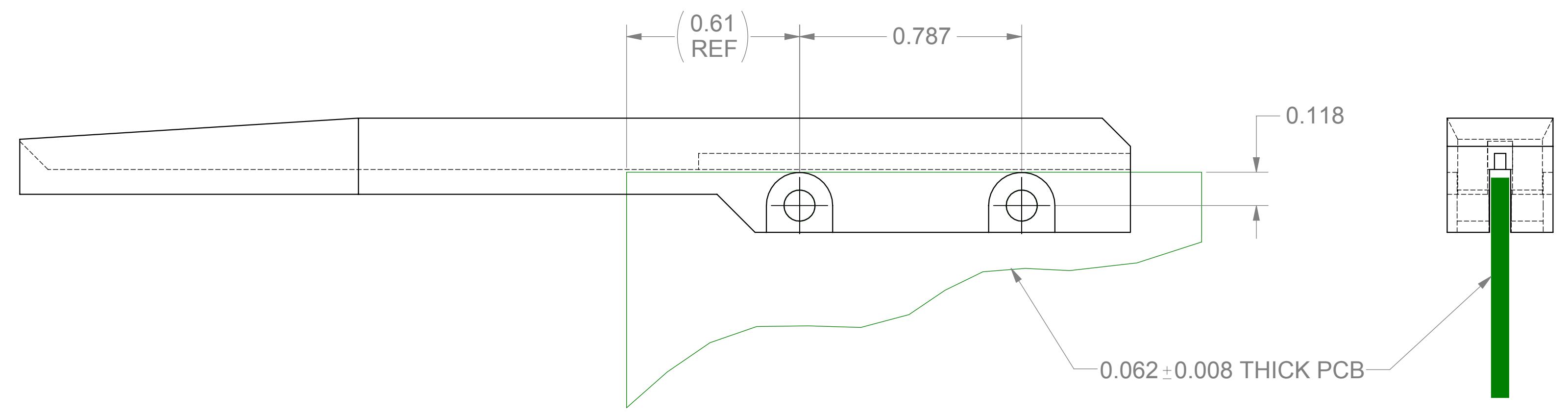
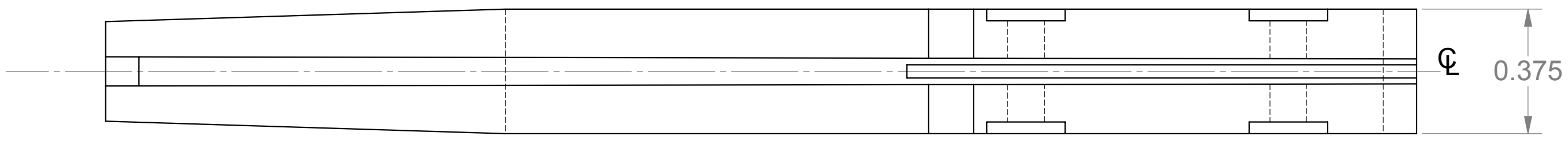
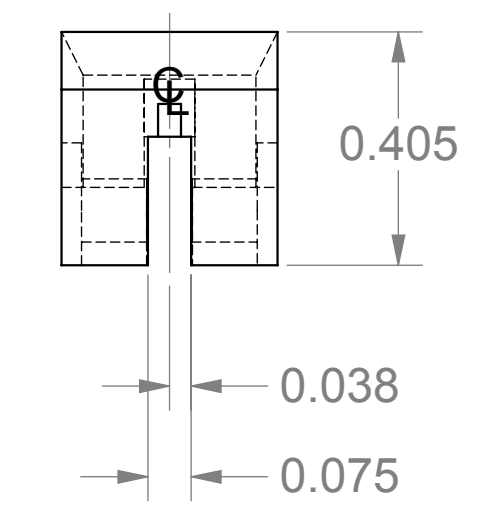
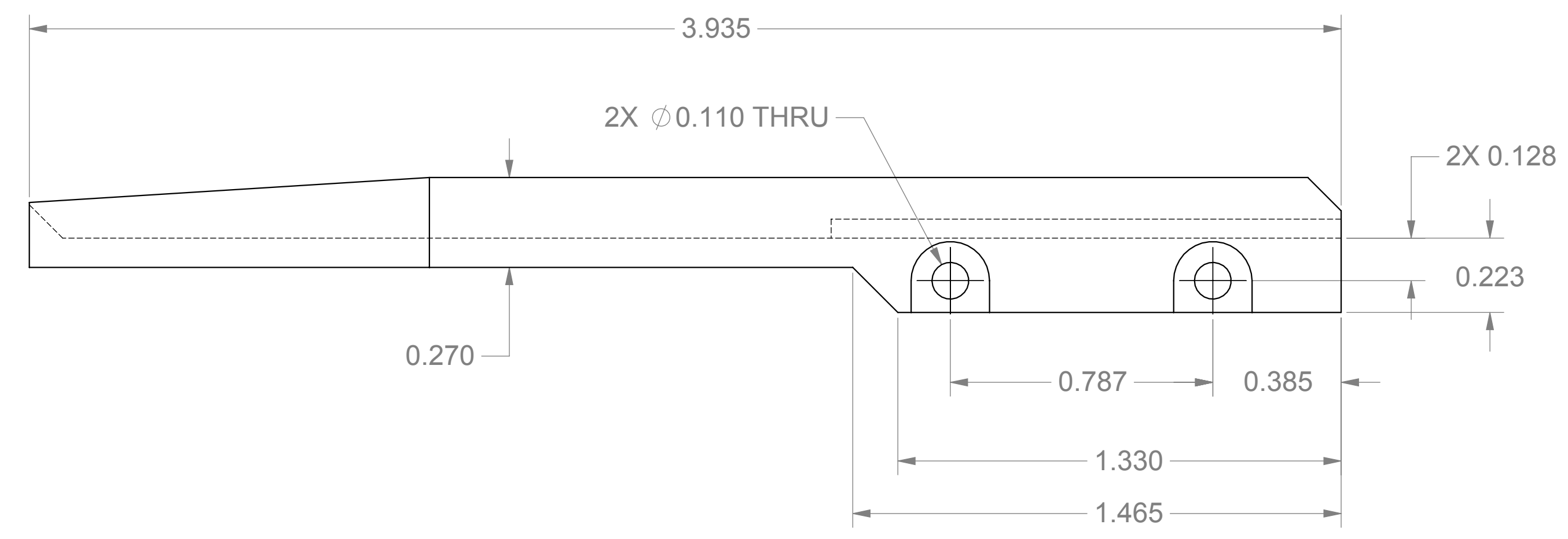


PROPRIETARY AND CONFIDENTIAL
 THE INFORMATION CONTAINED IN THIS DRAWING IS THE SOLE PROPERTY OF VECTOR ELECTRONICS & TECH., INC. ANY REPRODUCTION IN PART OR AS A WHOLE WITHOUT THE WRITTEN PERMISSION OF VECTOR ELECTRONICS & TECH., INC. IS PROHIBITED.

| REVISIONS | | | | |
|-----------|-----|-----------------|----------|----------|
| ZONE | REV | DESCRIPTION | DATE | APPROVED |
| ALL | A | INITIAL RELEASE | 09/08/10 | |



ISOMETRIC VIEW



RECOMMENDED PCB MOUNTING

- 2. FLAME RATING : UL94-V0
- 1. MATERIAL : POLYBUTYLENE TEREPHTHALATE (PBT) POLYESTER RESIN, 30% GLASS

NOTES : UNLESS OTHERWISE SPECIFIED

UNLESS OTHERWISE SPECIFIED
 DIMENSIONS ARE IN INCHES
 TOLERANCES:
 DEC .X ±.050
 DEC .XX ±.030
 DEC .XXX ±.010
 FRACTIONS ±.050
 ANGLES ±1°

| APPROVALS | NAME | DATE |
|-----------|---------|----------|
| DRAWN | TRUSHAR | 09/08/10 |
| CHECKED | | |
| ENGINEER | | |
| QA | | |

VECTOR 11115 VANOWEN ST.,
 NORTH HOLLYWOOD, CA 91605
 ELECTRONICS & TECHNOLOGY, INC. www.vectorelect.com

EXTENDER CARD BRACKET



THIRD ANGLE PROJECTION

| | | |
|------------|------------------|--------------|
| SIZE | DWG. NO. | REV |
| D | 5210211# | A |
| SCALE: 3:1 | CAGE CODE: 82893 | SHEET 1 OF 1 |