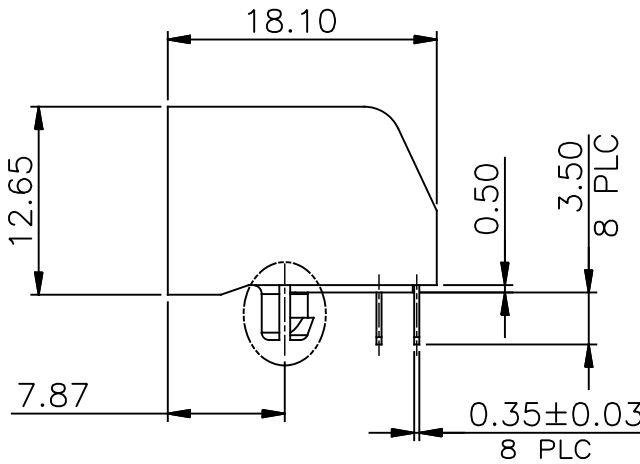
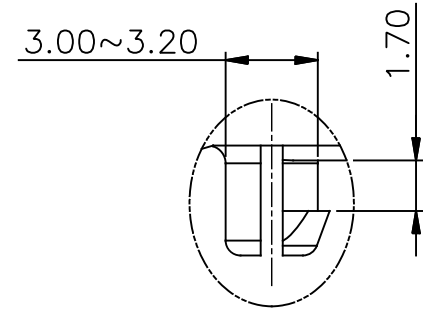


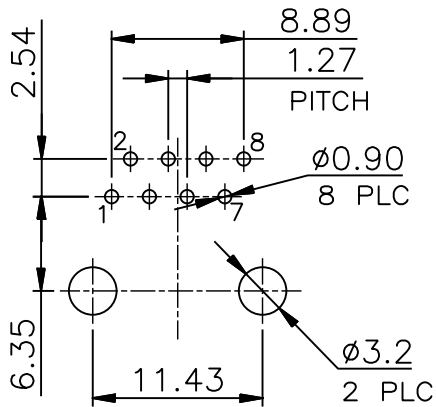
FRONT VIEW



SIDE VIEW



DETAIL Z
SCALE 2:1



RECOMMENDED PCB LAYOUT

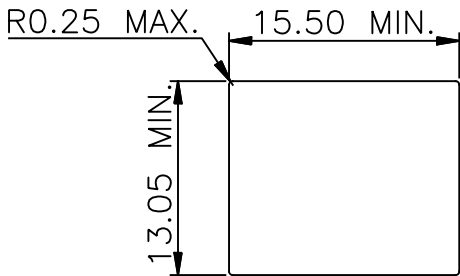


LOCATE HOLES
 $\phi \phi.005 [0.13]$
 POSITION DIMENSIONS ARE BASIC

1. MATERIALS:
 HOUSING: HIGH TEMP, ENGINEERING THERMOPLASTIC, COLOUR: BLACK, FLAMMABILITY RATING UL 94V-0
 CONTACTS: PHOSPHOR BRONZE
 PLATING: REFER TO PART NUMBER FOR GOLD THICKNESS ON MATING SURFACES. 50 μ " [1.27 MICRONS] MIN. NICKEL UNDERPLATE GOLD FLASH TIN ON CONTACT TAILS.

AMPHENOL PART NUMBER: RJE03-188-0X10-H

- 1 = 06 μ " GOLD
- 2 = 15 μ " GOLD
- 3 = 30 μ " GOLD
- 4 = 50 μ " GOLD



RECOMMENDED PANEL CUTOUT

UNLESS SPECIFIED OTHERWISE		DATE	Amphenol Canada Corp.	
PRIMARY UNITS	MILLIMETER	DRAWN	G.HSIA	MAR.08.12
SECONDARY	INCH	CHECKED	L.CHAN	MAR.08.12
REFERENCE IN PARENTHESES		M.E. APP'D		
GENERAL TOLERANCES		Q.A. APP'D		
1 DECIMAL PLACE	±0.30	DWG APPR.		
2 DECIMAL PLACES	±0.25	ENG. REL. NO.		
3 DECIMAL PLACES	±0.20	REF.		
ANGULAR DEGREES	±1.0°	THIRD ANGLE PROJECTION		
		DO NOT SCALE DRAWING		
TITLE			Commercial Products	
MODULAR JACK, 8 POSITION, 8 CONTACTS, WITHOUT SHIELD			HIGH TEMPERATURE - RoHS COMPLIANT	
DWG. NO.			P-RJE03-188-0X10-H	
REV			C	
CODE ID NO. 03554			DWG SIZE: C SCALE: N/A SHEET 1 OF 1	