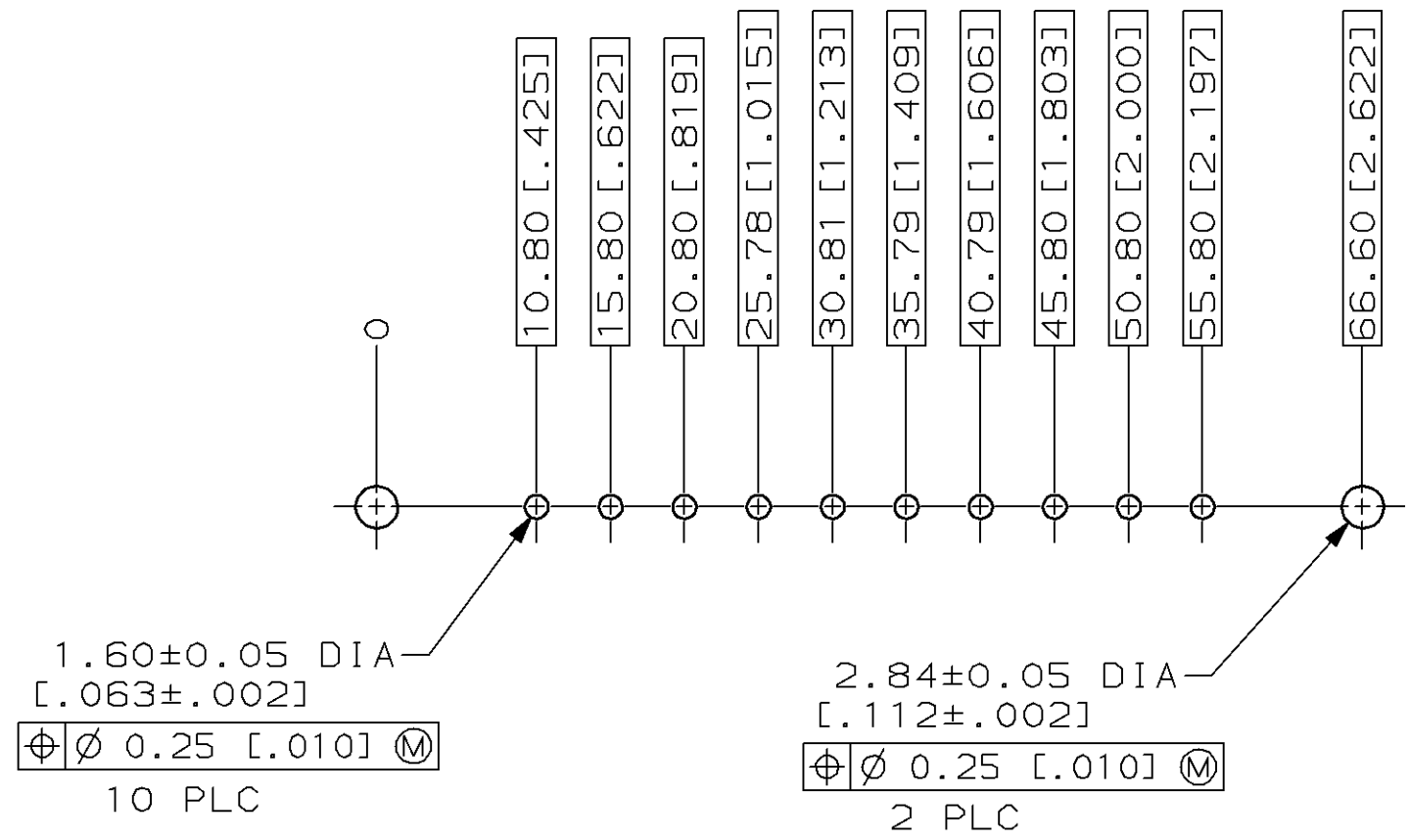
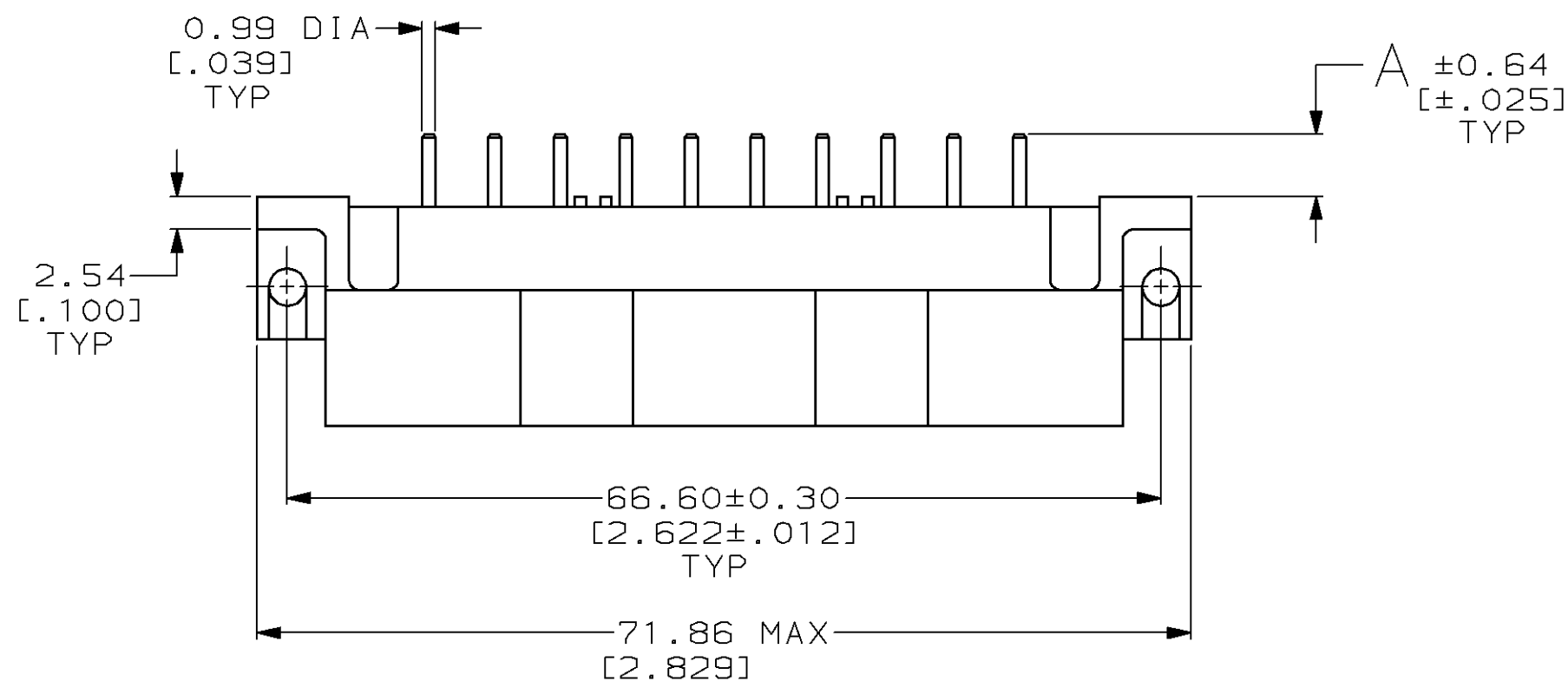
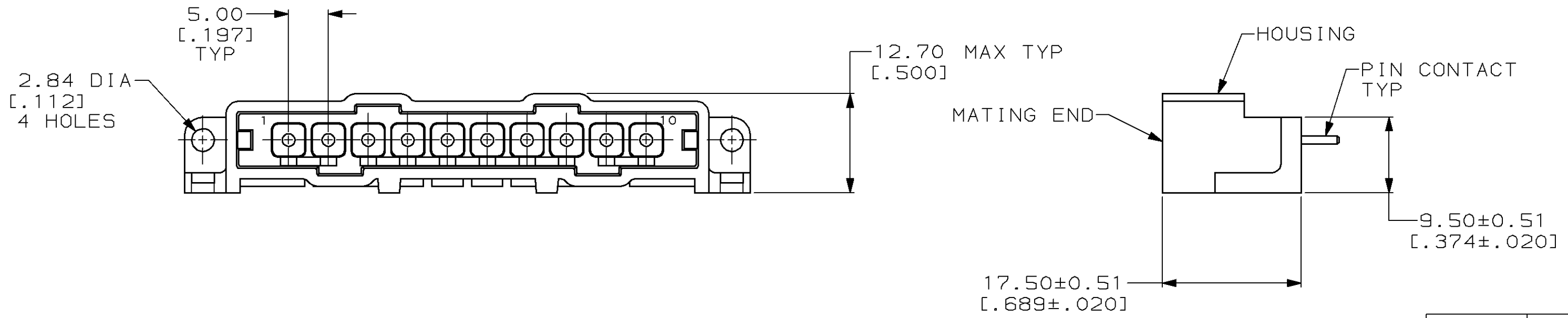


LOC	DIST	P	F	ZONE	LTR	DESCRIPTION	DATE	APPD
FT	13				H	REDRAWN WITHOUT CHANGE	07/21/92	-
					J	ADDED -6 PER EC 0GIC-0058-98	15 MAY 98	MM



RECOMMENDED PC BOARD LAYOUT



- 1 NYLON, RED.
- 2 BRASS PER ASTM B36.
- 3 3.81µm [.000150] MIN TIN-LEAD OVER 2.54µm [.000100] MIN COPPER OR 1.27µm [.000050] MIN NICKEL.
- 4 0.76µm [.000030] MIN GOLD FOR A LENGTH OF 5.08 [.200] MIN FROM MATING END, 3.81µm [.000150] MIN TIN-LEAD FOR A LENGTH OF 5.36 [.211] MIN FROM OPPOSITE END, BOTH OVER 1.27µm [.000050] MIN NICKEL.

7.52 [.296]	4	207584-6
4.72 [.186]	4	207584-3
4.72 [.186]	3	207584-1
A	FINISH	PART NUMBER

DO NOT SCALE PRINT. UNLESS SPECIFIED DIMENSIONS IN mm [INCHES] TOLERANCES ON:		DR 07/21/92 L.SIPE		AMP AMP Incorporated Harrisburg, PA 17105-3608	
2 PLC DEC ± 0.25 [.010]	3 PLC DEC ± -	CHK 7-24-92 R.STONE	APPD 7-24-92 A.TRAVIS	NAME	
ANGLES ± -	MATERIAL HOUSING: 1 CONTACTS: 2	APPD 7-24-92 C.ROHDE	PRODUCT SPEC -	PIN HEADER ASSEMBLY, 10 POSN, IN-LINE, SMALL METRIC CONNECTOR, METRIMATE	
FINISH	CONTACTS: SEE TABLE	APPLICATION SPEC -	SIZE C	CAGE CODE 00779	DRAWING NO G=207584
		WEIGHT -	SCALE 4:1	SHEET 1 OF 1	PART NO

THIS DRAWING IS A CONTROLLED DOCUMENT FOR AMP INCORPORATED. IT IS SUBJECT TO CHANGE AND THE CONTROLLING ENGINEERING ORGANIZATION SHOULD BE CONTACTED FOR THE LATEST REVISION.