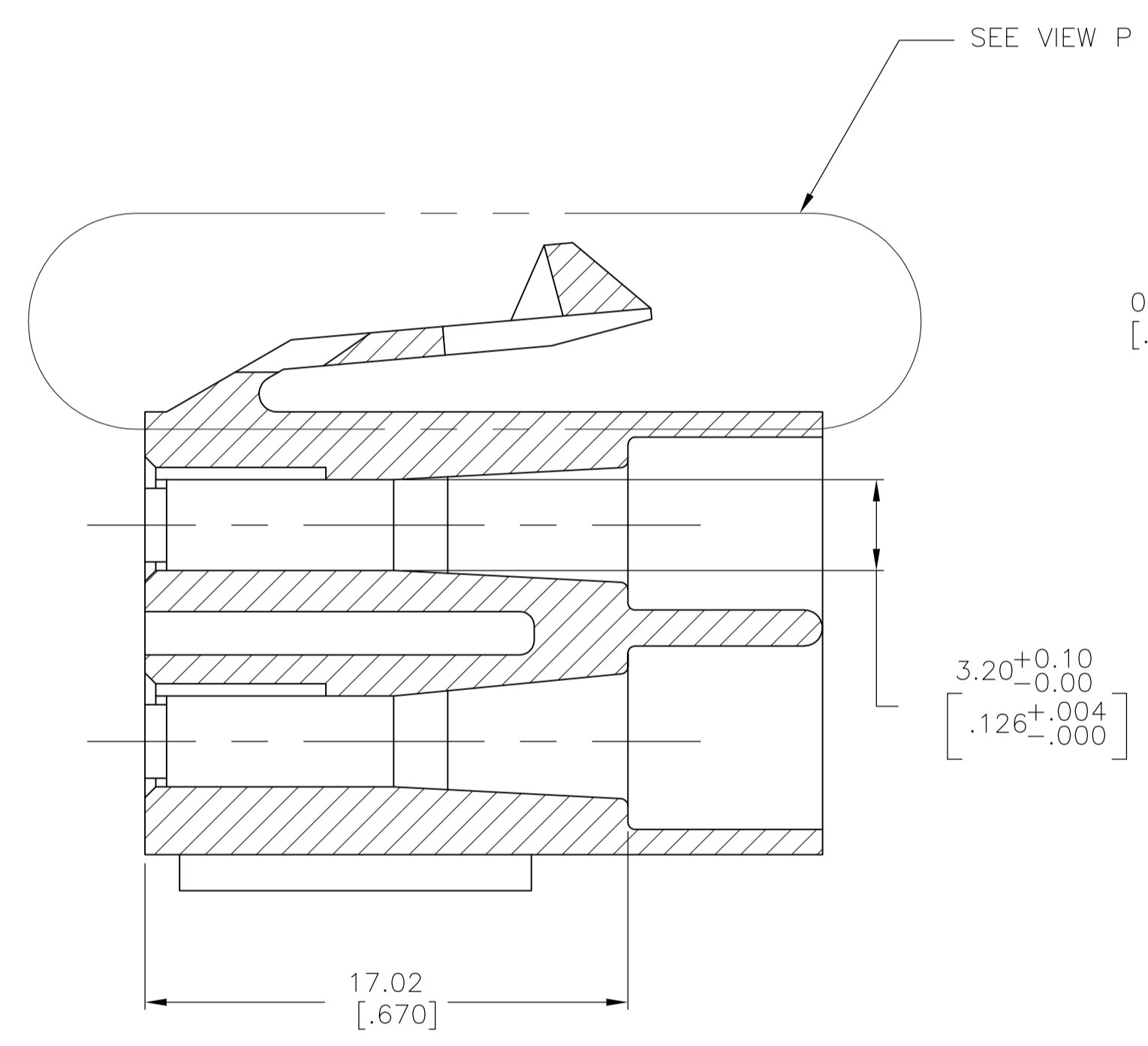
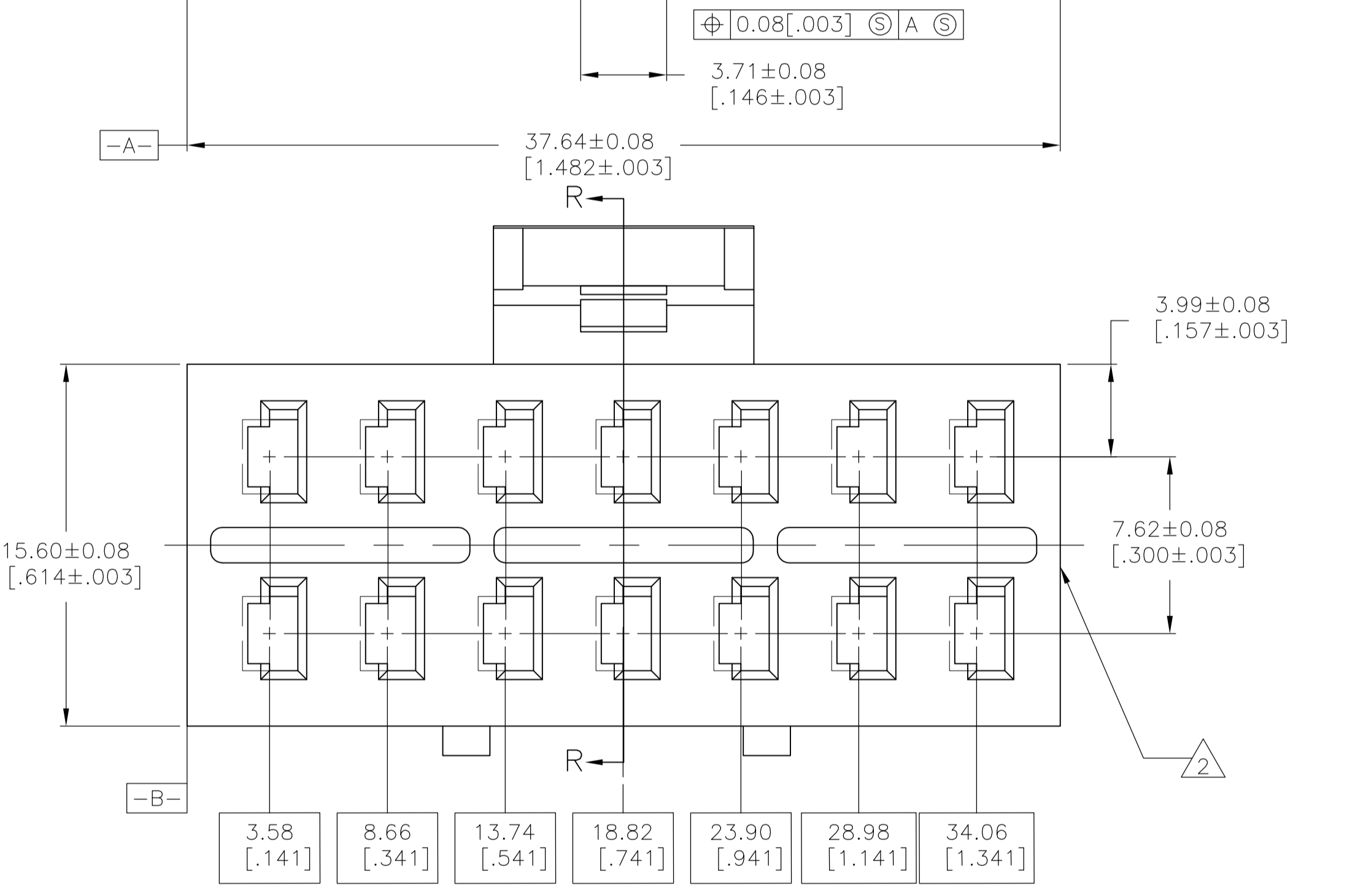
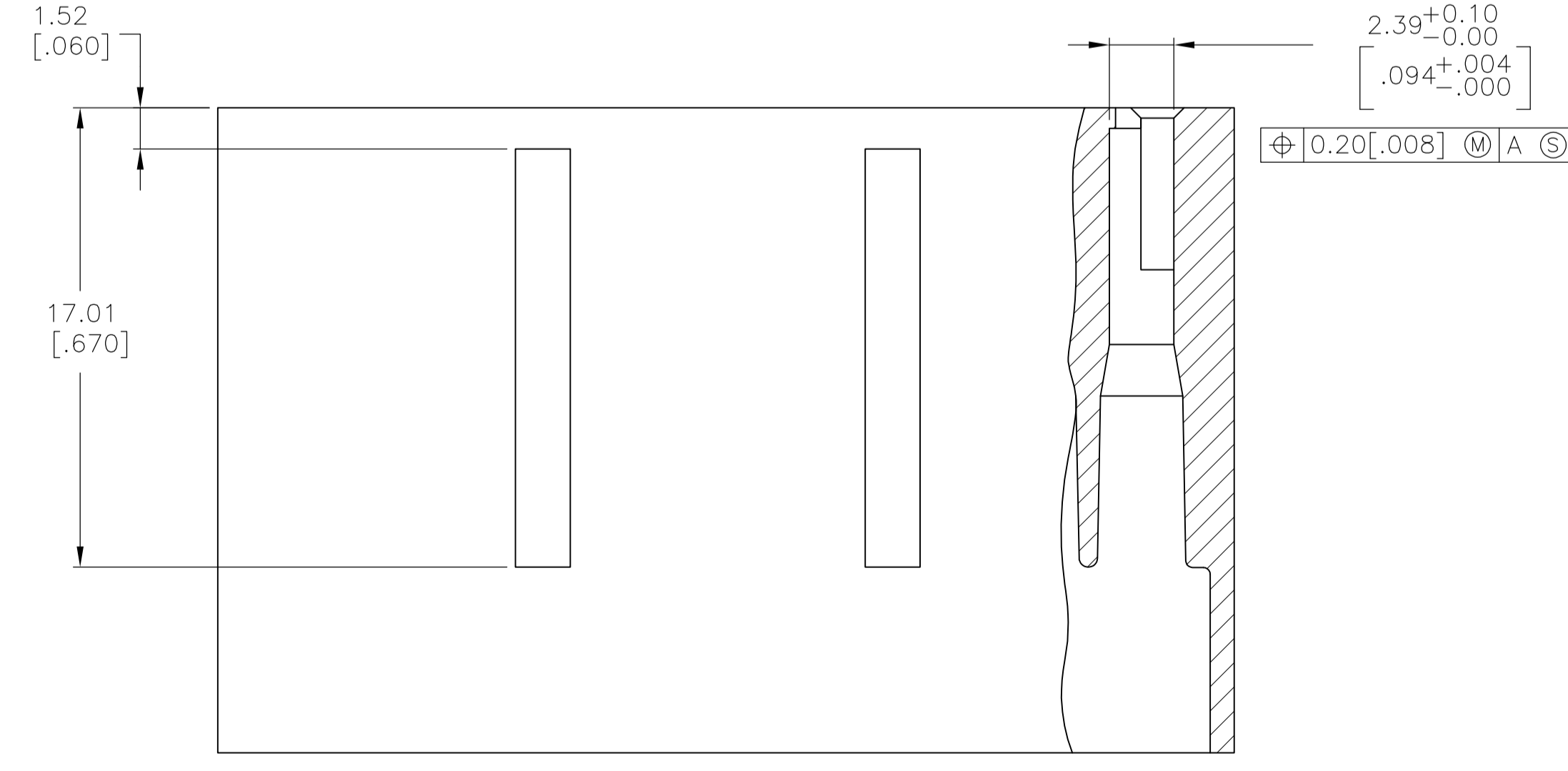
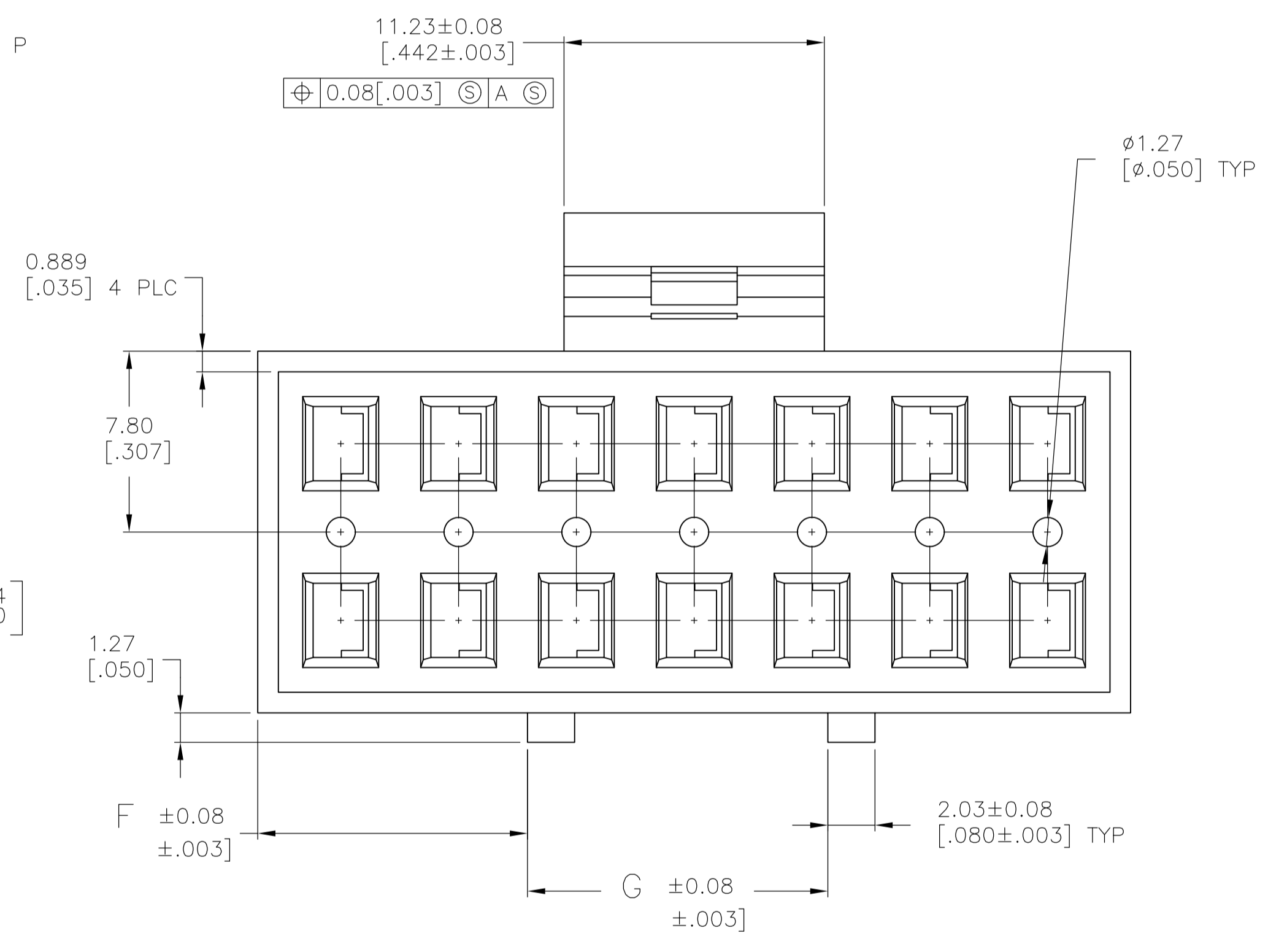


VIEW P
SCALE 10:1

- 1 HOUSING IDENT. LETTER, 2.36[.093] HIGH CHARS., RAISED 0.08-0.13[.003-.005] HIGH IN APPROX. AREA SHOWN. SEE TABLE FOR LETTER.
- 2 BLUSHING PERMISSIBLE IN THIS AREA.
- 3 OBSOLETE PARTS: OBSOLETE CIS STREAMLINING PER D.RENAUD/D.SINISI



SECTION R-R



3 OBSOLETE	X	7.87 [.310]	14.17 [.558]	14	103367-3
	Y	18.03 [.710]	9.09 [.358]	14	103367-2
	Z	12.95 [.510]	11.63 [.458]	14	103367-1
HOUSING IDENT LETTER	G	F	NO OF POSN	PART NO	

THIS DRAWING IS A CONTROLLED DOCUMENT.

DIMENSIONS: mm [INCHES]	TOLERANCES UNLESS OTHERWISE SPECIFIED:	DIN J. GALLUCCI 14AUG89	21AUG89	Tyco Electronics Corporation Harrisburg, PA 17105-3608
0 PLC ± -	1 PLC ± -	21AUG89	21AUG89	HOUSING, MOD I
2 PLC ± -	3 PLC ± 0.13[.005]	APPROVED: MARIAN CLARK NAME		
4 PLC ± -	ANGLES ± α-30°	APPLICATION SPEC		
MATERIAL: FLAME RETARDANT THERMOPLASTIC COLOR-BLACK	FINISH: -	SIZE: A1	CAGE CODE: 00779	DRAWING NO: 103367
CUSTOMER DRAWING		SCALE: 5:1	SHEET: 1 OF 1	REV: L1

