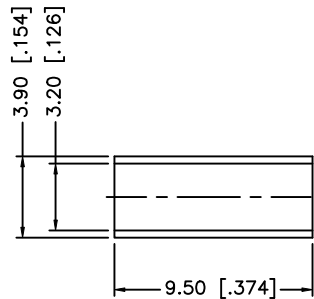
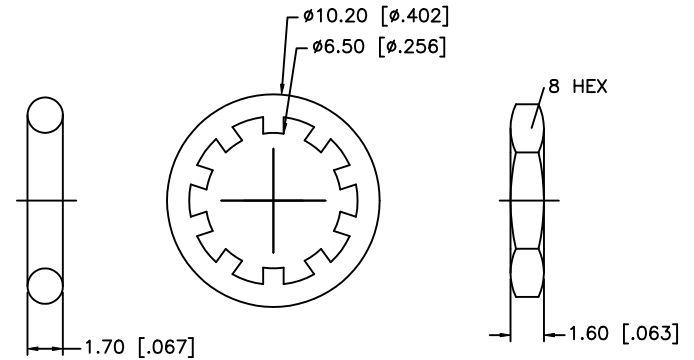
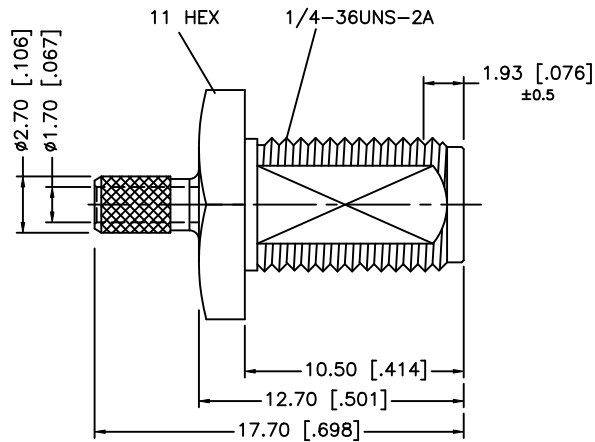
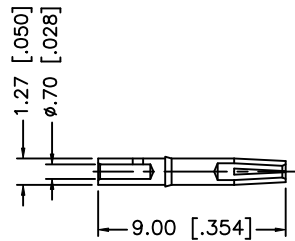
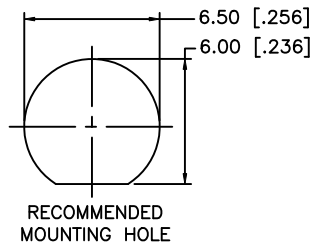
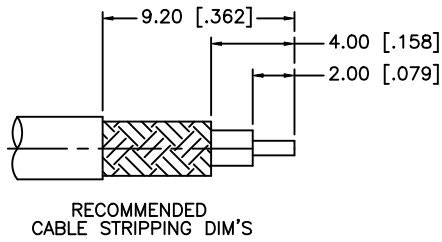


| REV. | DATE     | ECR NO. | DESCRIPTION                                      |
|------|----------|---------|--|
| A    | 01/30/04 | -       | UPDATE DRAWING FORMAT                            |
| B    | 10/05/04 | -       | MODIFY BODY HEX ORIENTATION                      |
| C    | 08/29/08 | -       | REVISE BARREL O.D./ REVISE FERRULE I.D. AND O.D. |



NOTE:

1. CRIMPED FERRULE HEX CRIMP SIZE .128" [3.25]
2. CONTACT PIN TO SOLDER

| DESCRIPTION | MATERIAL    | FINISH      | QTY     | DO NOT SCALE DRAWING | APPROVALS  | DATE              | Amphenol Connex |  |      |   |      |   |       |    |
|-------------|-------------|-------------|---------|----------------------|--|-------------------|-----------------|--|------|---|------|---|-------|----|
| 8           |             |             |         |                      | DRAWN  | GRS               | 08/29/08        | PART DESCRIPTION<br>SMA BULKHEAD CRIMP JACK O-RING SEAL<br>(FOR RG-174/U, 188A/U, 316/U CABLE) |      |   |      |   |       |    |
| 7           | FERRULE     | COPPER      | GOLD    | 1                    | CHECKED  |                   |                 |  |      |   |      |   |       |    |
| 6           | HEX NUT     | BRASS       | GOLD    | 1                    | ISSUED   |                   |                 | PART NO.<br>132284   |      |   |      |   |       |    |
| 5           | LOCK WASHER | BRASS       | GOLD    | 1                    | SHEET  | 1 OF 1            |                 |  |      |   |      |   |       |    |
| 4           | GASKET      | SILICONE    | RED     | 1                    | CAD FILE   | C:/132/132284.DWG | DWG. NO.        | 132284.DWG   | REV. | C | SIZE | A | SCALE | NA |
| 3           | CONTACT PIN | BER. COPPER | GOLD    | 1                    | UNLESS OTHERWISE SPECIFIED DIMENSIONS ARE IN MILLIMETERS. DIMENSIONS IN [ ] ARE IN INCHES AND FOR CUSTOMER REFERENCE ONLY.<br><br>UNLESS OTHERWISE SPECIFIED TOLERANCES FOR MILLIMETERS ARE:<br>0.5 - 8mm ± 0.20mm<br>8 - 30mm ± 0.40mm<br>30 - 120mm ± 0.50mm<br><br>UNLESS OTHERWISE SPECIFIED TOLERANCES FOR INCHES ARE:<br>.020 - .315 = ± 0.007"<br>.315 - 1.180 = ± 0.015"<br>1.180 - 4.724 = ± 0.020" |                   |                 |  |      |   |      |   |       |    |
| 2           | INSULATOR   | PTFE        | NATURAL | 1                    |  |                   |                 |  |      |   |      |   |       |    |
| 1           | BODY        | BRASS       | GOLD    | 1                    |  |                   |                 |  |      |   |      |   |       |    |